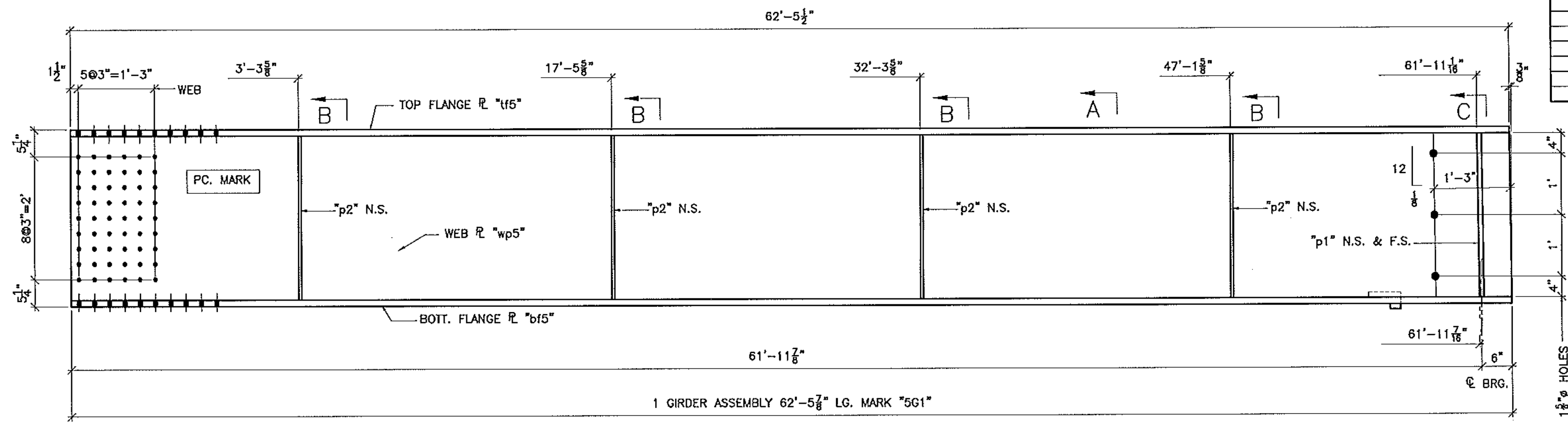


TOP VIEW (BOTTOM VIEW SIM.)



1 GIRDER ASSEMBLY 62'-5 1/2" LG. MARK "5G1"

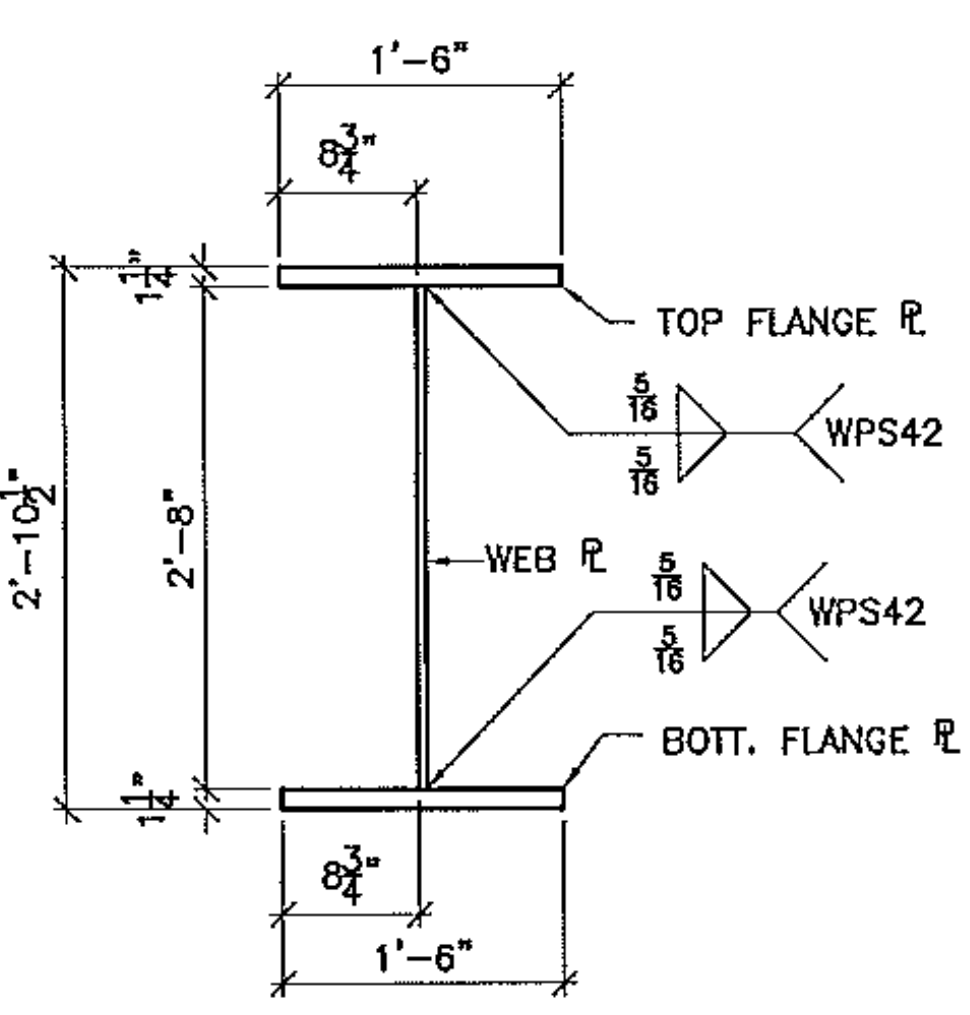
BILL OF MATERIAL							
SHIP	SHIP MARK	NO. PCS.	PIECE MARK	DESCRIPTION	LENGTH	REMARKS	WT.
1	5G1	1	wp5	BRIDGE GIRDER	62'-5 1/2"		3403
		1	w5	1/2" X 32	62'-5 1/2"		4788
		1	w5	1/2" X 18	62'-5 1/2"		4788
		2	p1	SEE SHT. 26			
		4	p2	SEE SHT. 26			

GIRDER WT: 13.253

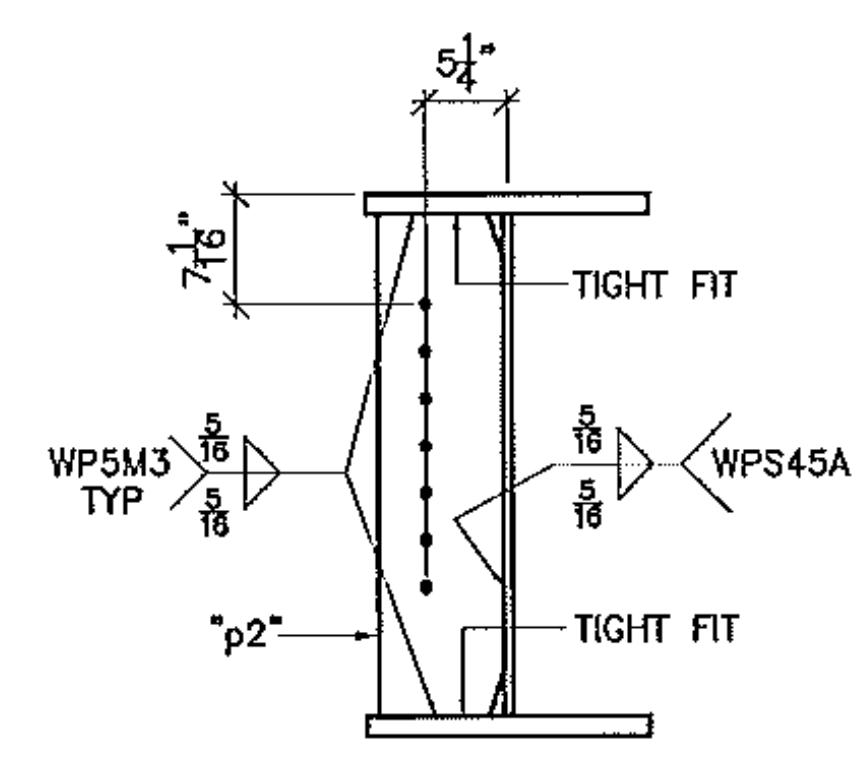
Vermont Agency of Transportation  
**RECEIVED**

CK'D BY GFR OK'D BY \_\_\_\_\_  
05/15/2012  
RESUBMIT \_\_\_\_\_ APPROVED X \_\_\_\_\_  
BY C. CARLSON DATE 05/18/2012

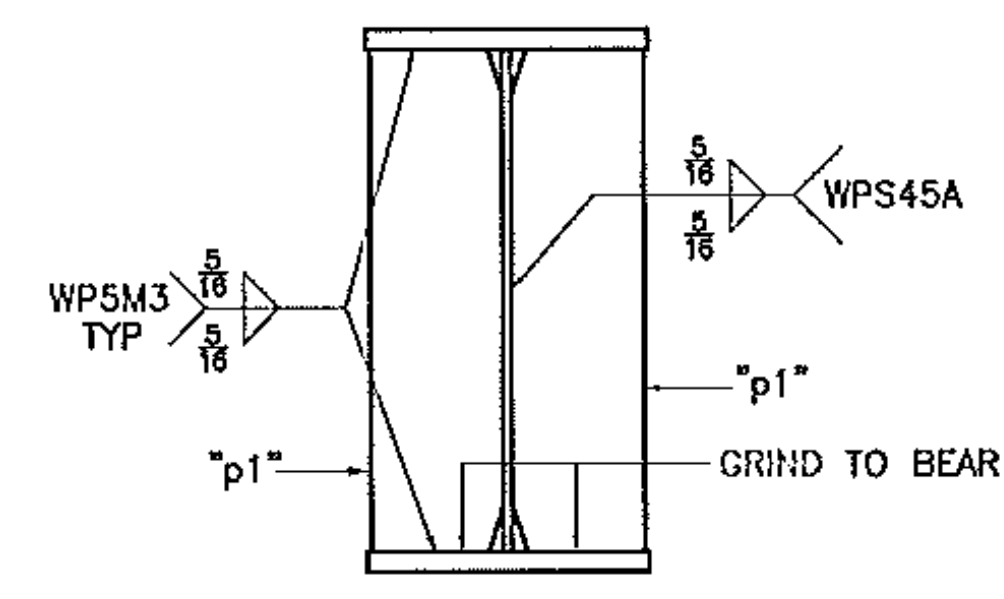
SEE .dxf FILES FOR WEB R CUTTING  
SEE SHEET 26 FOR PIECE DETAILS  
SEE SHEET B1 FOR NOTES



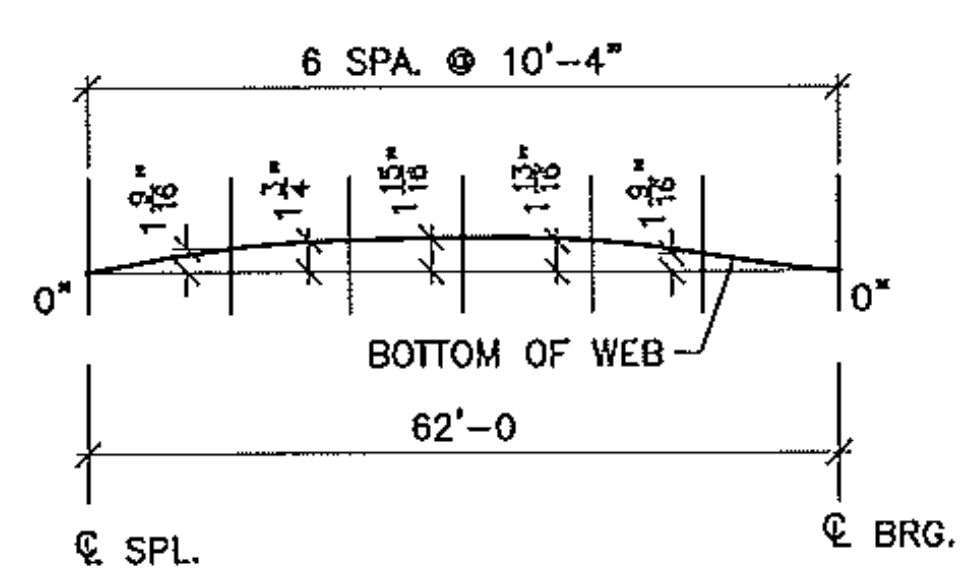
SECTION A  
(GIRDER ASS'Y)



SECTION B



SECTION C



CAMBER DIAGRAM

REVISIONS			
NO	DATE	DESCRIPTION	BY
1	5/15/12	PER APPROVAL	JAC

	<b>ADVANCED RESOURCES &amp; CONST. ENTERPRISES, INCORPORATED</b> P.O. BOX 120 KINGFIELD, ME. 04947 PHONE: (207) 265-2646 - FAX: (207) 265-4064	
	DRAFTER JAC DATE 4/11/12 CHECKED JS JOB # 12-100	<b>STRINGER DETAILS</b> VERMONT AGENCY OF TRANSPORTATION, MEMPHIS CITY, CO. OF GREENS RAILROAD SQUARE, 1111 (CLASS 2) MAJOR COLLECTOR, BRIDGE NO. 9 G.C. REED & REED