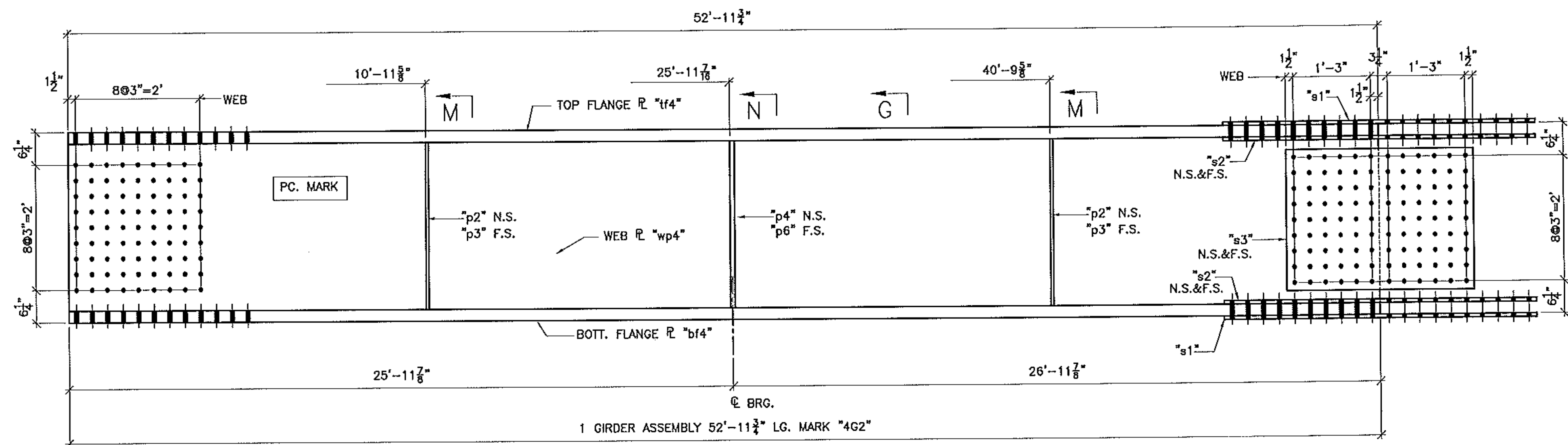
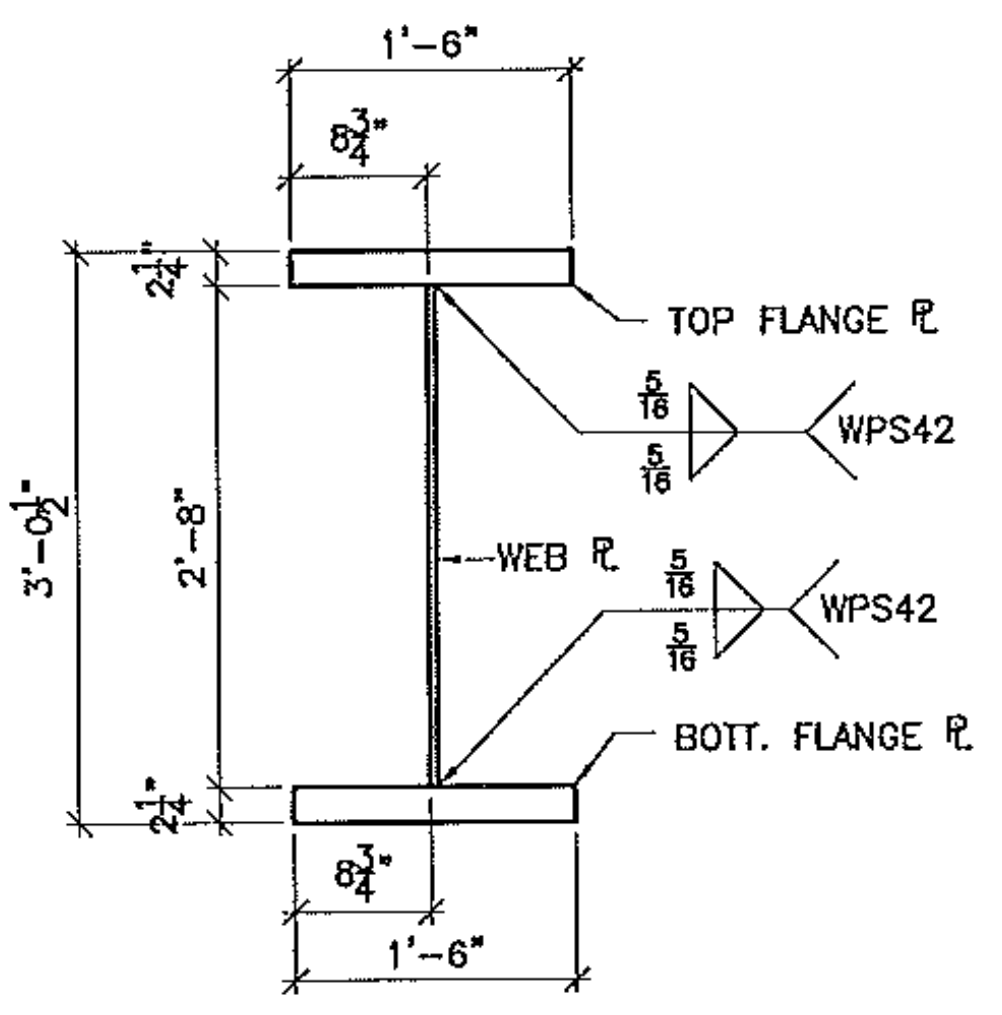


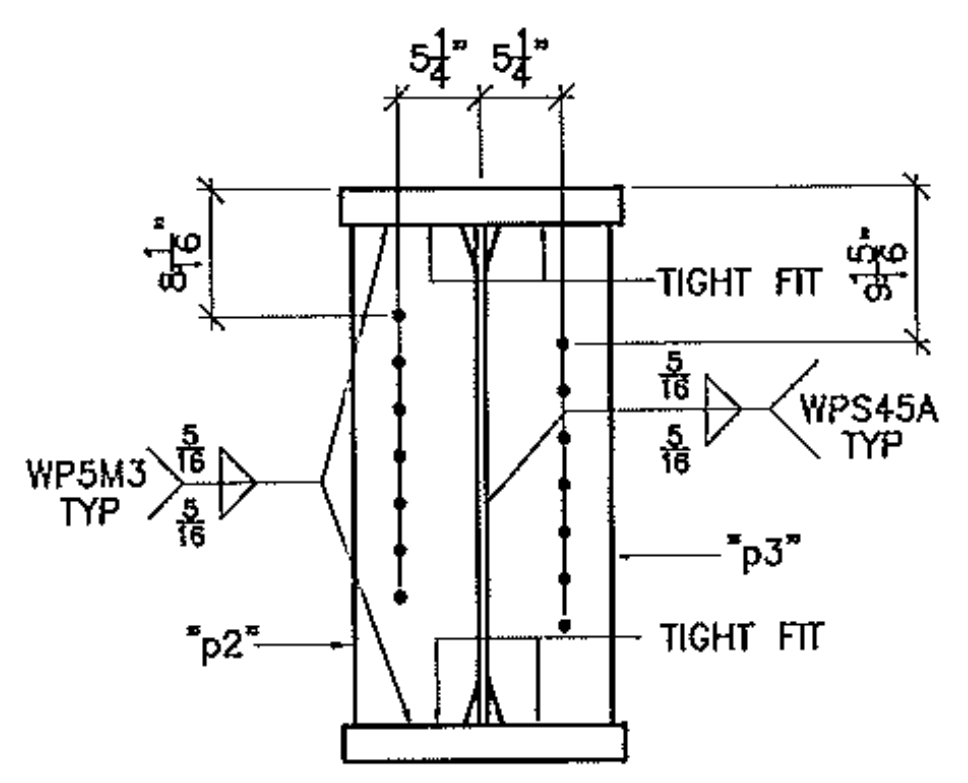
TOP VIEW (BOTTOM VIEW SIM.)



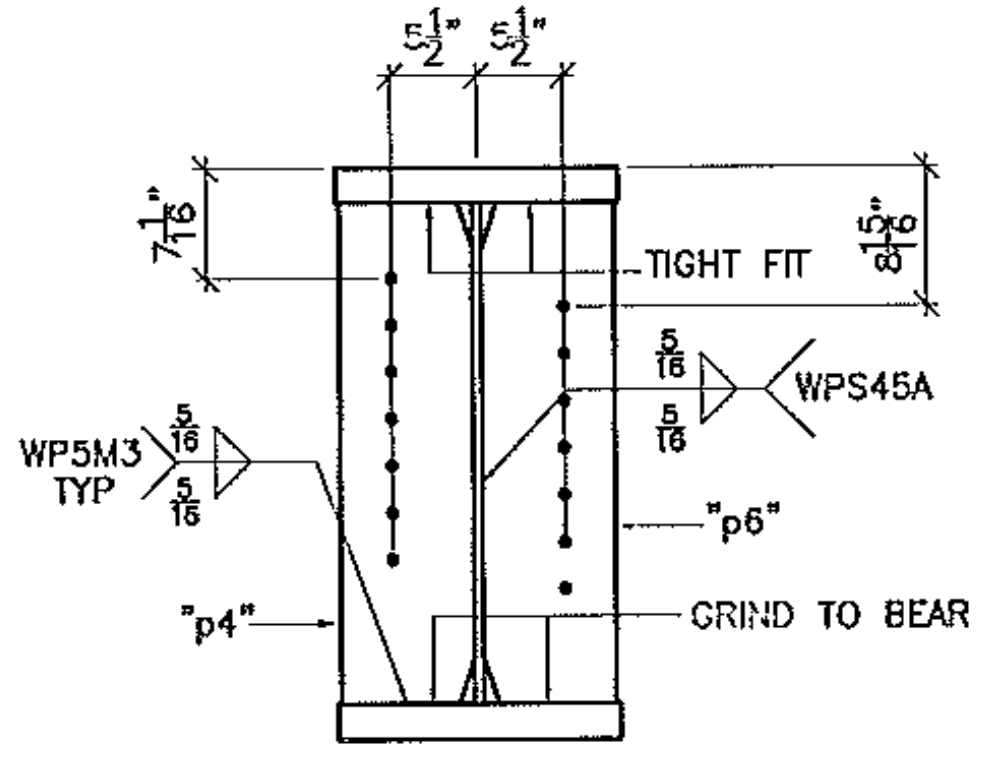
1 GIRDER ASSEMBLY 52'-11 3/4" LG. MARK "4G2"



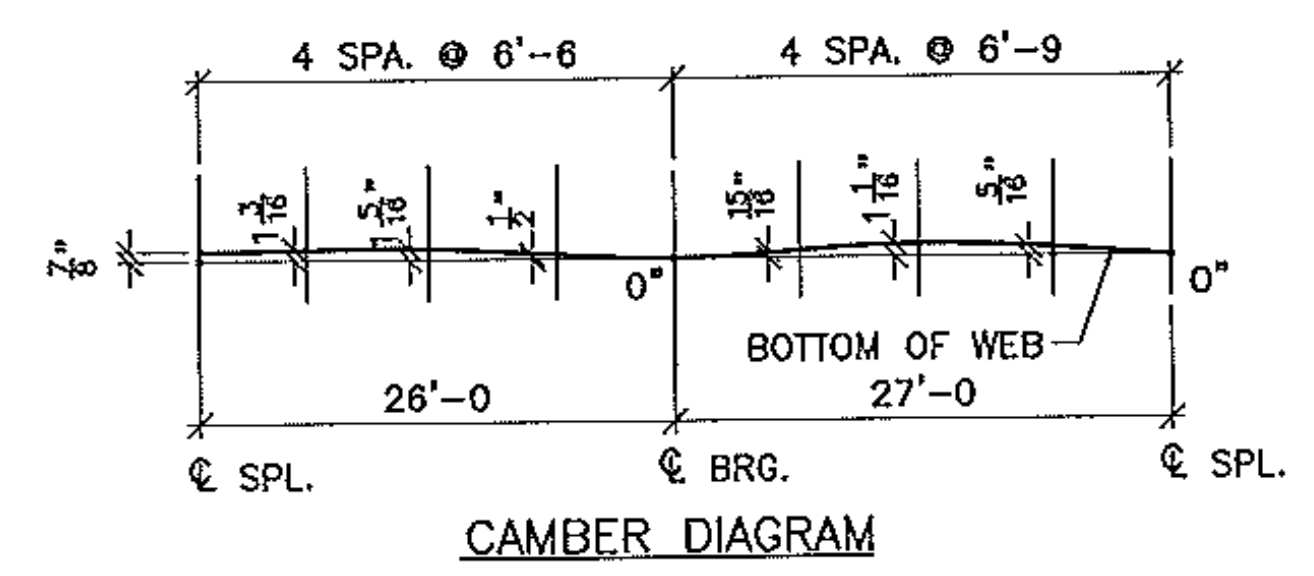
SECTION G
(GIRDER ASS'Y)



SECTION M



SECTION N



CAMBER DIAGRAM

BILL OF MATERIAL

SHIP	SHIP MARK	NO. PCS.	PIECE MARK	DESCRIPTION	LENGTH	REMARKS	WT.
1	4G2			BRIDGE GIRDER			
		1	wp4	PL 1/2 X 32	52'-11 3/4"		2888
		1	tf4	PL 2 1/2 X 18	52'-11 3/4"		7305
		1	bf4	PL 2 1/2 X 18	52'-11 3/4"		7305
		1	p4	SEE SHT. 26			
		2	p2	SEE SHT. 26			
		1	p8	SEE SHT. 26			
		2	p3	SEE SHT. 26			
		2	s1	SEE SHT. 26			
		4	s2	SEE SHT. 26			
		2	s3	SEE SHT. 26			

GIRDER WT: 18,488

Vermont Agency of Transportation
RECEIVED

CK'D BY GFR OK'D BY _____
05/15/2012
RESUBMIT _____ APPROVED X
BY C. CARLSON DATE 05/16/2012

SEE .dxf FILES FOR WEB R CUTTING
SEE SHEET 26 FOR PIECE DETAILS
SEE SHEET B1 FOR NOTES

FINISH	NO	DATE	DESCRIPTION	BY
MATERIAL ASHTO M270 (ASTM A709) GRADE 50				
HOLES 15/16" U.O.J.				
ELECTRODES				
WELDS PER WPS				
SURFACE PREP				
		5/15/12	PER APPROVAL	JAC



ADVANCED RESOURCES & CONST. ENTERPRISES, INCORPORATED
P.O. BOX 120 KINGFIELD, ME 04947
PHONE: (207) 265-2648 - FAX: (207) 265-4054

DRAFTER	DATE	CHECKED	JOB #	STRINGER DETAILS	CONTRACT NO.
JAC	4/11/12	JS	12-100	VERMONT AGENCY OF TRANSPORTATION, NEWPORT CITY, CO. OF OREGON RAILROAD SQUARE, TR1 (CLASS 3) MAJOR COLLECTOR, BRIDGE NO. 2	BR0 1449 (25)
				REED & REED	17