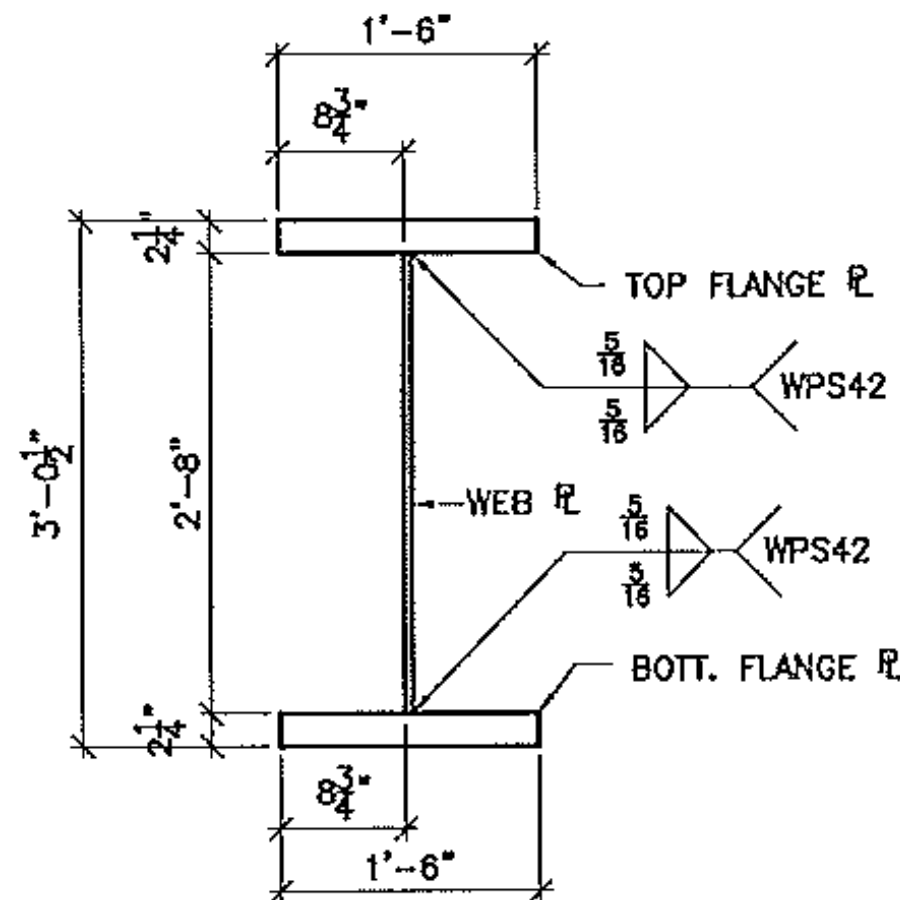
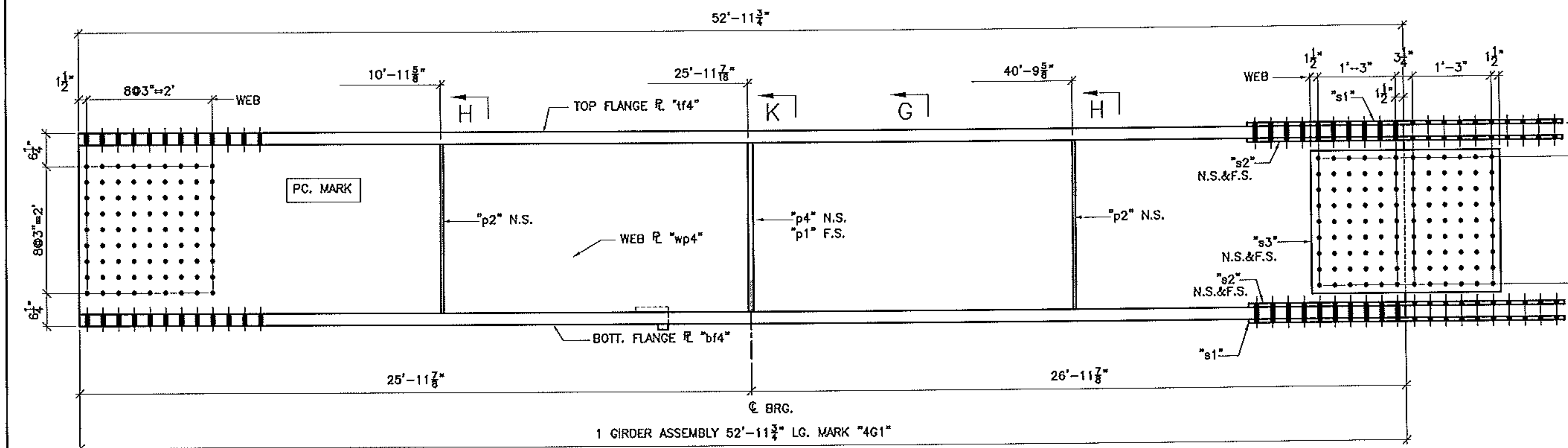
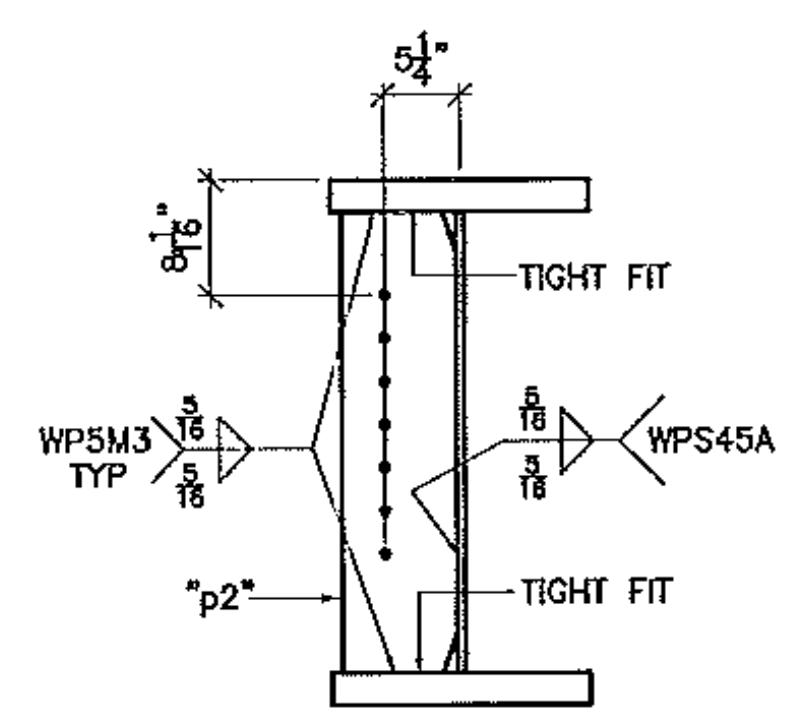


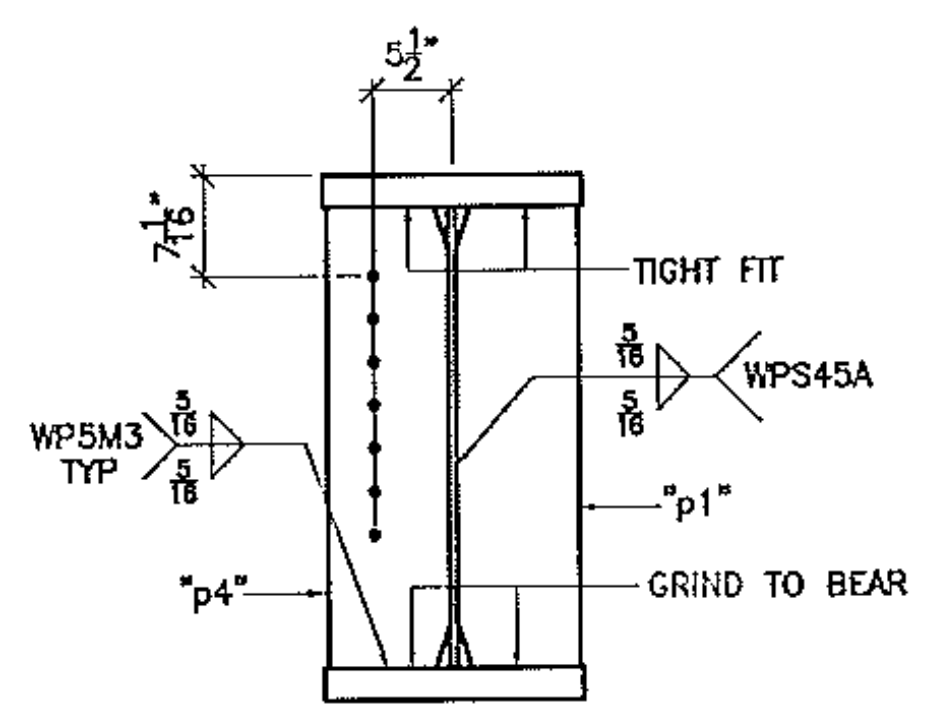
TOP VIEW (BOTTOM VIEW SIM.)



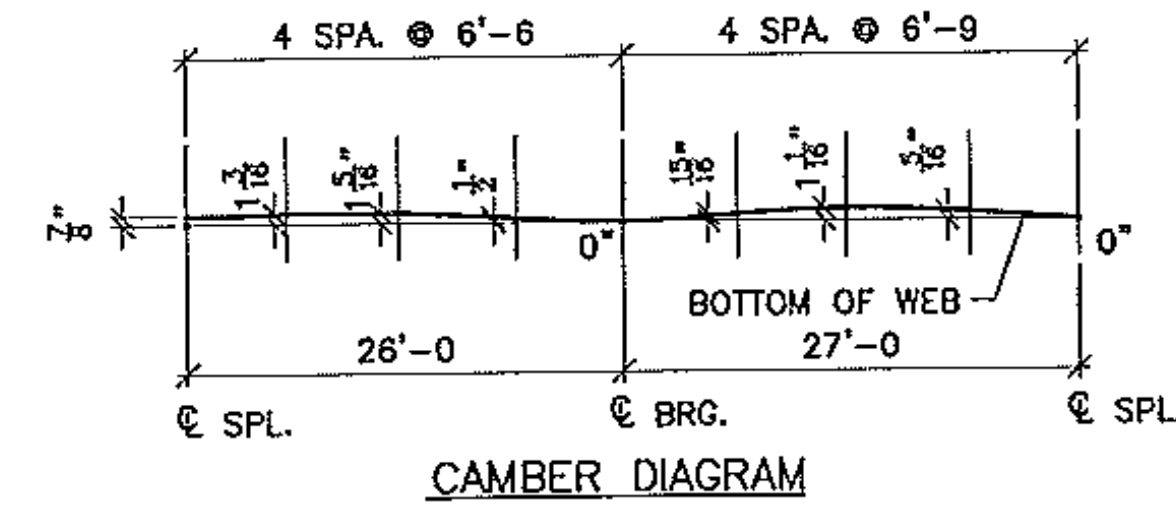
SECTION G
(GIRDER ASS'Y)



SECTION H



SECTION K



CAMBER DIAGRAM

BILL OF MATERIAL						
SHIP	SHIP MARK	NO. PCS.	PIECE MARK	DESCRIPTION	LENGTH	REMARKS
1	4G1			BRIDGE GIRDER		
		1	wp4	R 1/2 X 3/2	52'-11 3/4"	2886
		1	w4	R 2 1/2 X 18	52'-11 3/4"	7305
		1	w4	R 2 1/2 X 18	52'-11 3/4"	7305
		1	p1	SEE SHIT. 26		
		2	p2	SEE SHIT. 26		
		1	p4	SEE SHIT. 26		
		2	s1	SEE SHIT. 26		
		4	s2	SEE SHIT. 26		
		2	s3	SEE SHIT. 26		

GIRDER WT: 18,416

Vermont Agency of Transportation
RECEIVED

CK'D BY GFR OK'D BY
05/15/2012

RESUBMIT APPROVED X
BY C. CARLSON DATE 05/16/2012

SEE .dxf FILES FOR WEB R CUTTING
SEE SHEET 26 FOR PIECE DETAILS
SEE SHEET B1 FOR NOTES

FINISH			
MATERIAL	ASHITO M270 (ASTM A709) GRADE 50		
Holes	15/16" U.O.M.		
ELECTRODES			
WELDS	PER WPS		
SURFACE PREP		5/15/12	PER APPROVAL
		NO	DATE

ARC ADVANCED RESOURCES & CONST. ENTERPRISES, INCORPORATED
P.O. BOX 120 WINDFIELD, ME 04947
PHONE: (207) 265-2646 - FAX: (207) 265-4054

DRAFTER	JAC	STRINGER DETAILS	CONTRACT NO.
DATE	4/11/12		BRD 1449 (25)
CHECKED	JF	VERMONT AGENCY OF TRANSPORTATION, NEWPORT CITY, CO. OF OREGON	DWG. NO.
JOB #	12-100	RAILROAD SQUARE, 1911 (CLASS 2) MAJOR COLLECTOR, BRIDGE NO. 9	16
		G.C. REED & REED	

JAC DRAWING/SHR12/D16