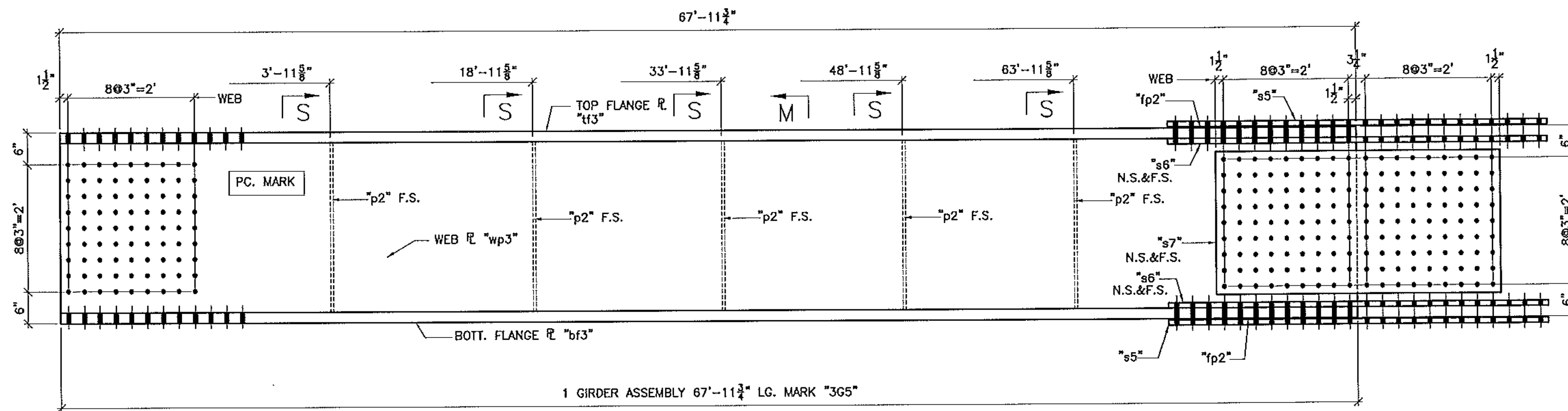
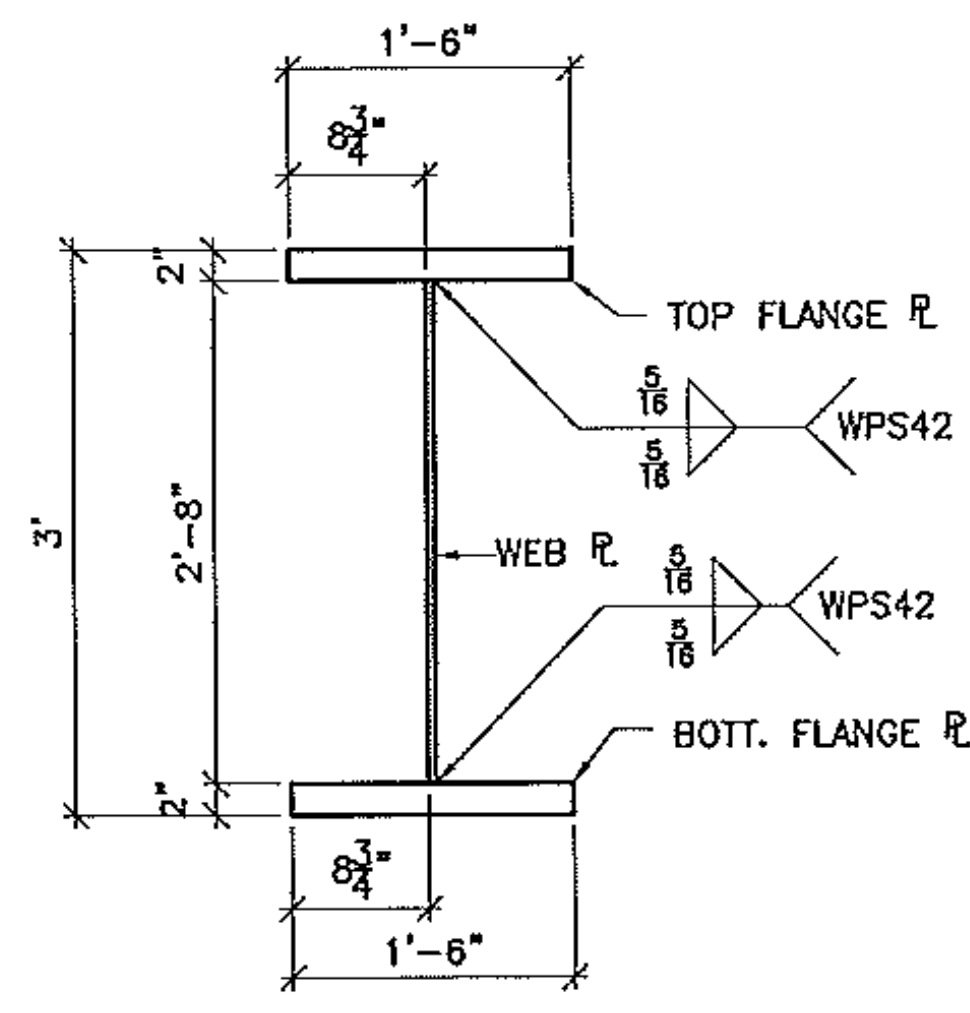


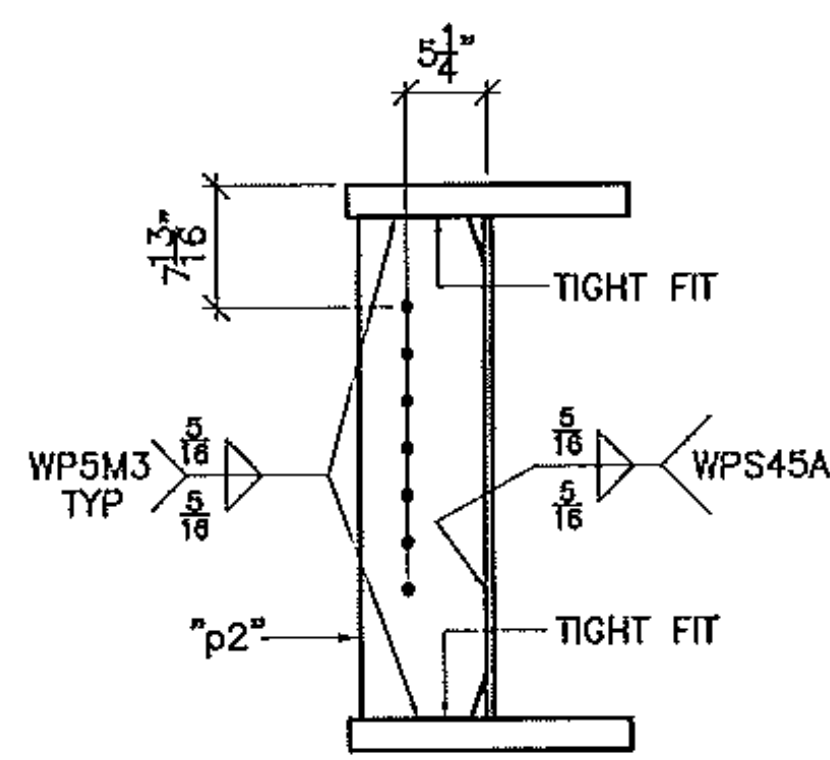
TOP VIEW (BOTTOM VIEW SIM.)



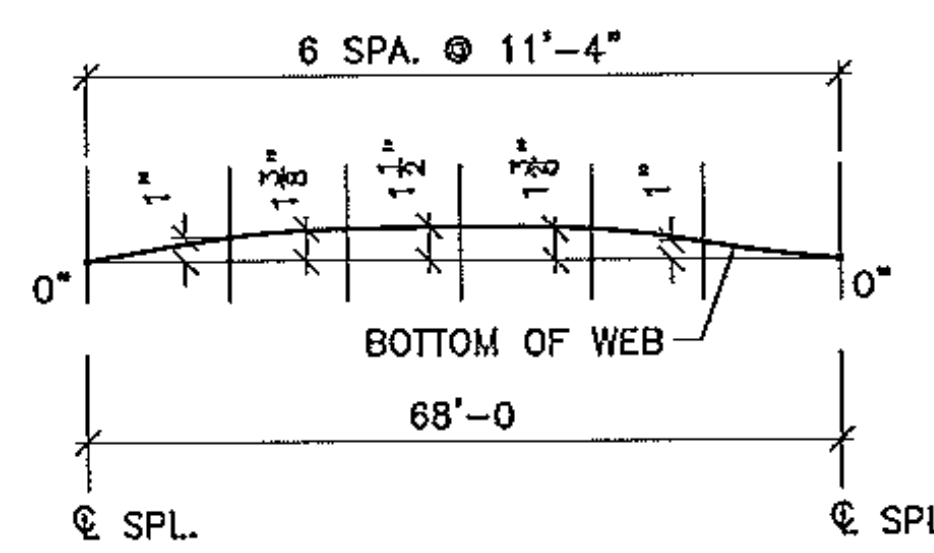
1 GIRDER ASSEMBLY 67'-11 3/4" LG. MARK "3G5"



SECTION M
(GIRDER ASS'Y)



SECTION S



CAMBER DIAGRAM

BILL OF MATERIAL

SHIP	SHIP MARK	NO. PCS.	PIECE MARK	DESCRIPTION	LENGTH	REMARKS	WT.
1	3G5			BRIDGE GIRDER			
		1	wp3	PL 1/2 X 32	67'-11 3/4"		3703
		1	tf3	PL 2 X 18	67'-11 3/4"		8331
		1	bf3	PL 2 X 18	67'-11 3/4"		8331
		5	p2	SEE SHT. 26			
		2	s5	SEE SHT. 26			
		4	s6	SEE SHT. 26			
		2	s7	SEE SHT. 26			
		2	fp2	SEE SHT. 26			

GIRDER WT: 22.177

Vermont Agency of Transportation
RECEIVED

CK'D BY GFR OK'D BY
05/15/2012

RESUBMIT APPROVED X
BY C. CARLSON DATE 05/16/2012

SEE .dxf FILES FOR WEB PL CUTTING
SEE SHEET 26 FOR PIECE DETAILS
SEE SHEET B1 FOR NOTES

FINISH	MATERIAL	ASTM	GRADE	NO.	DATE	DESCRIPTION	BY
	ASHKTO M270	(ASTM A709)	GRADE 50				
	HOLES	15/16"	U.O.L.				
	ELECTRODES						
	WELDS	PER WPS					
	SURFACE PREP						

ARC
ENTERPRISES, INC.

ADVANCED RESOURCES & CONST. ENTERPRISES, INCORPORATED
P.O. BOX 120 KINGFIELD, ME. 04947
PHONE: (207) 265-2848 - FAX: (207) 265-4054

DRAFTER JAC	STRINGER DETAILS	CONTRACT NO. BRO 1449 (25)
DATE 4/11/12	VERMONT AGENCY OF TRANSPORTATION, NEWPORT CITY, CO. OF OCEANS	DWG. NO.
CHECKED JS	RAILROAD SQUARE, 2ND (CLASS 2) MAJOR COLLECTOR, BRIDGE NO. 9	15
JOB # 12-100	G.C. REED & REED	