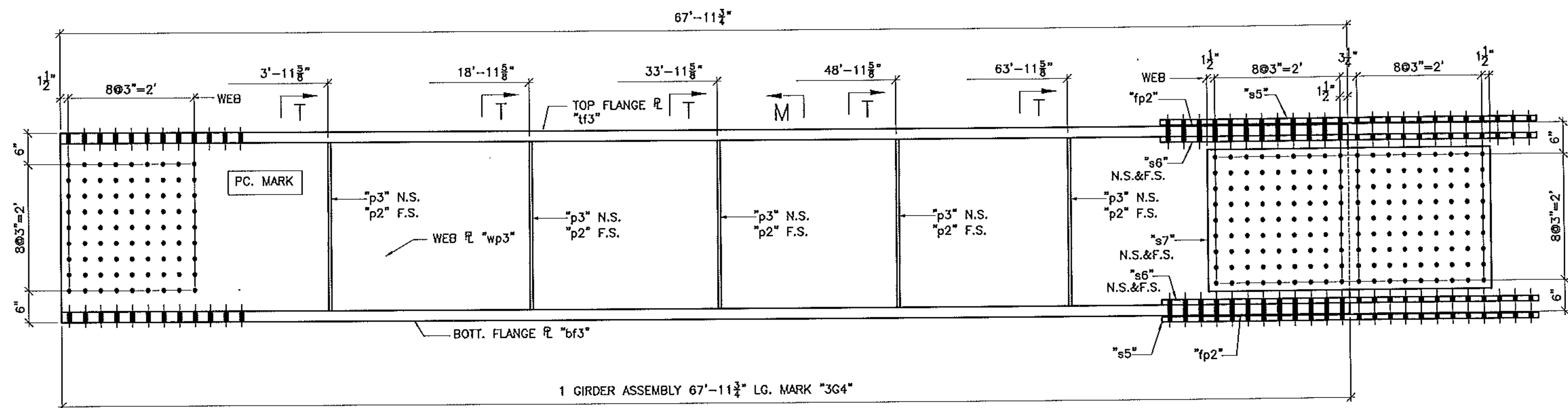
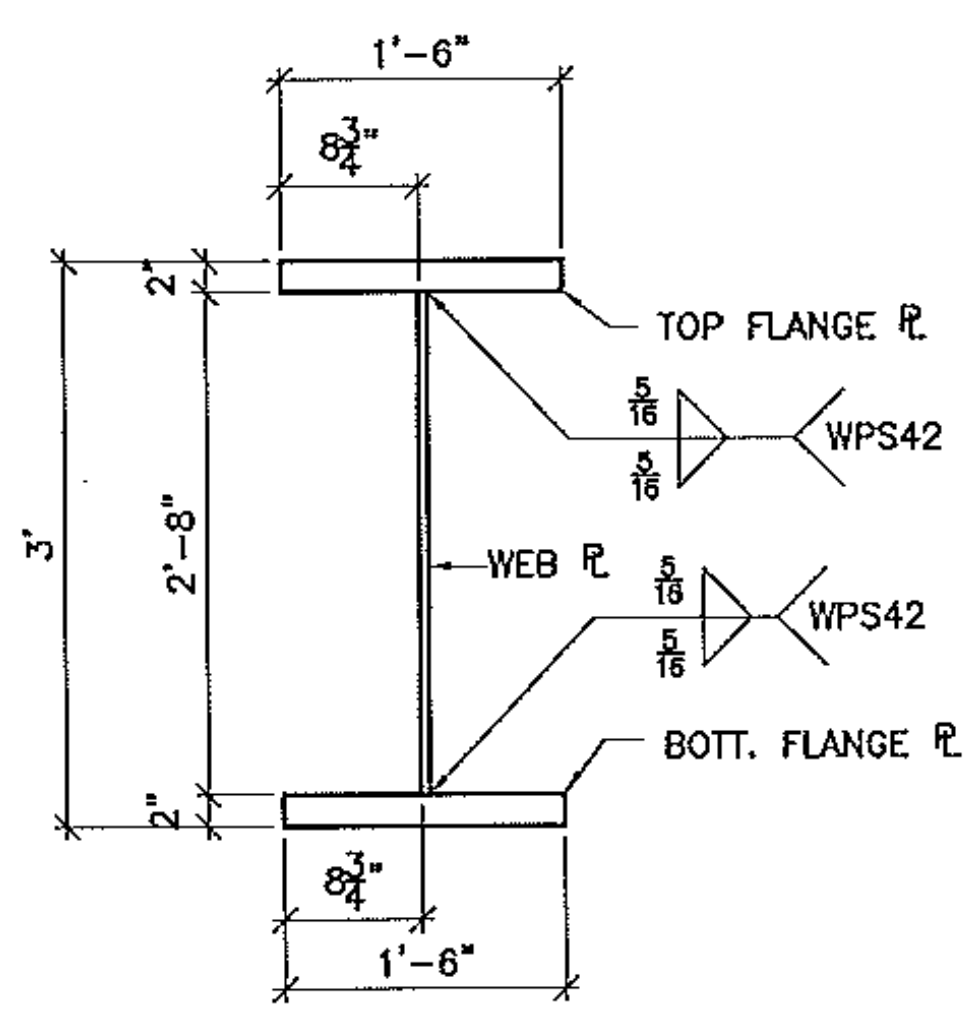


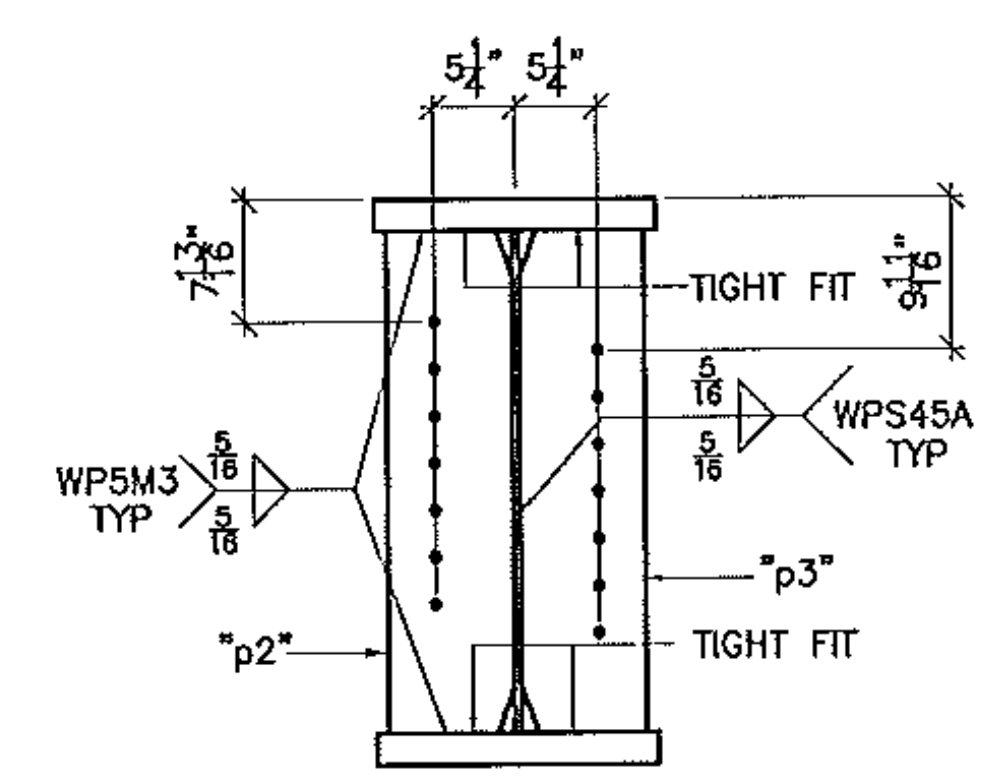
TOP VIEW (BOTTOM VIEW SIM.)



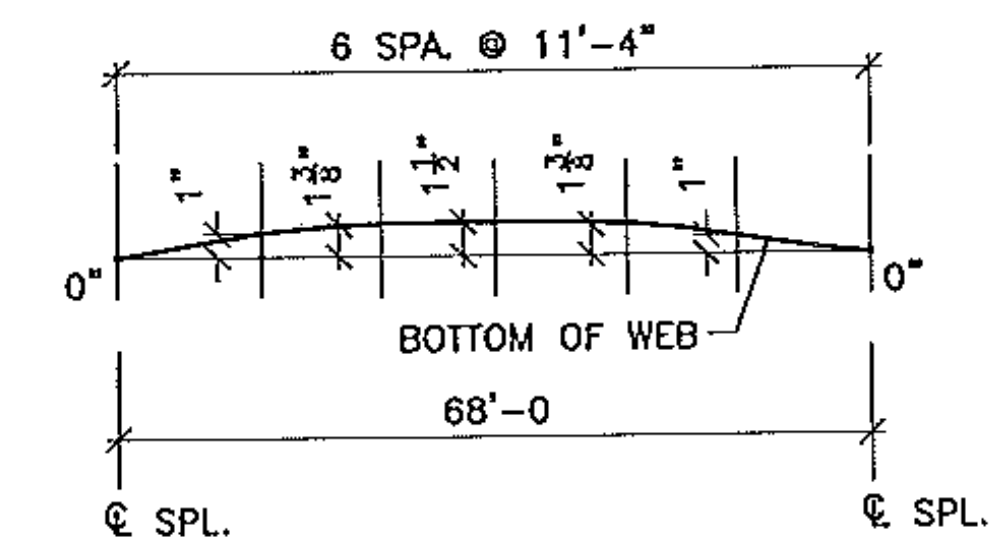
1 GIRDER ASSEMBLY 67'-11 1/4" LG. MARK "3G4"



SECTION M
(GIRDER ASS'Y)



SECTION T



CAMBER DIAGRAM

BILL OF MATERIAL

SHIP	SHIP MARK	NO. PCS.	PIECE MARK	DESCRIPTION	LENGTH	REMARKS	WT.
1	3G4			BRIDGE GIRDER			
		1	wp3	R 4X32	67'-11 1/4"		3703
		1	fp3	R 2X18	67'-11 1/4"		8331
		1	bf3	R 2X18	67'-11 1/4"		8331
		5	p2	SEE SHT. 26			
		5	p3	SEE SHT. 26			
		2	s5	SEE SHT. 26			
		4	s6	SEE SHT. 26			
		2	s7	SEE SHT. 26			
		2	fp2	SEE SHT. 26			

GIRDER WT: 22,357

Vermont Agency of Transportation
RECEIVED

CK'D BY GFR OK'D BY
05/15/2012

RESUBMIT APPROVED X
BY C. CARLSON DATE 05/16/2012

SEE .dxf FILES FOR WEB R CUTTING
SEE SHEET 26 FOR PIECE DETAILS
SEE SHEET B1 FOR NOTES

FINISH		NO		DATE		DESCRIPTION		BY	
						REVISIONS			
MATERIAL		ASHTO M270 (ASTM A708) GRADE 50							
HOLES		15/16" U.O.H.							
ELECTRODES		PER WPS							
SURFACE PREP									
DRAFTER		JAC		DATE		4/11/12		CONTRACT NO.	
CHECKED		JS		DATE		4/11/12		BR0 1449 (25)	
JOB #		12-100		G.C.		REED & REED		DWG. NO.	
								14	



ADVANCED RESOURCES & CONST. ENTERPRISES, INCORPORATED
P.O. BOX 120 KINGFIELD, ME 04947
PHONE: (207) 265-2648 - FAX: (207) 265-4054