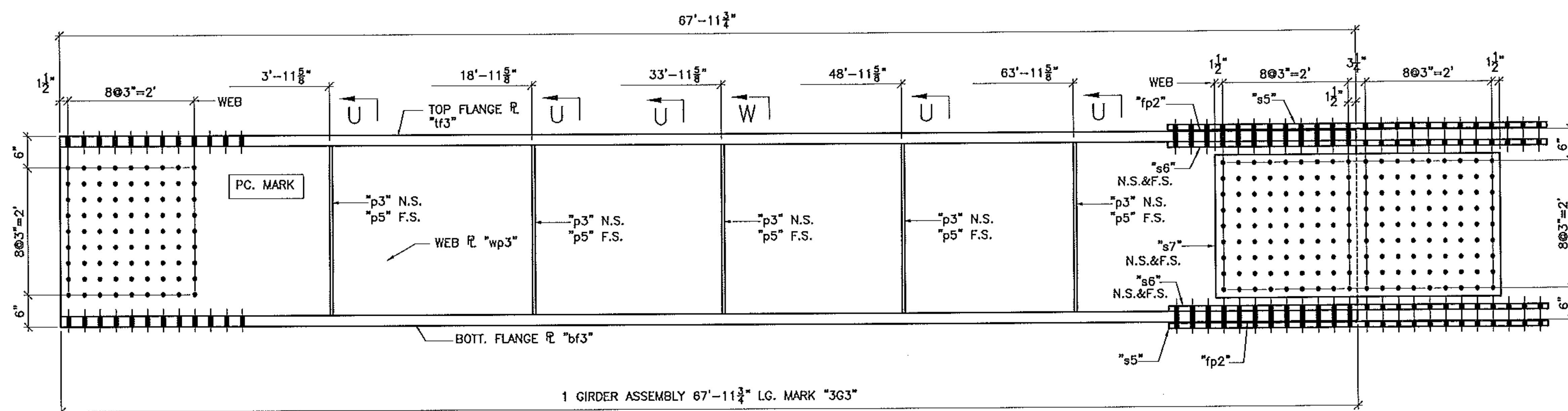
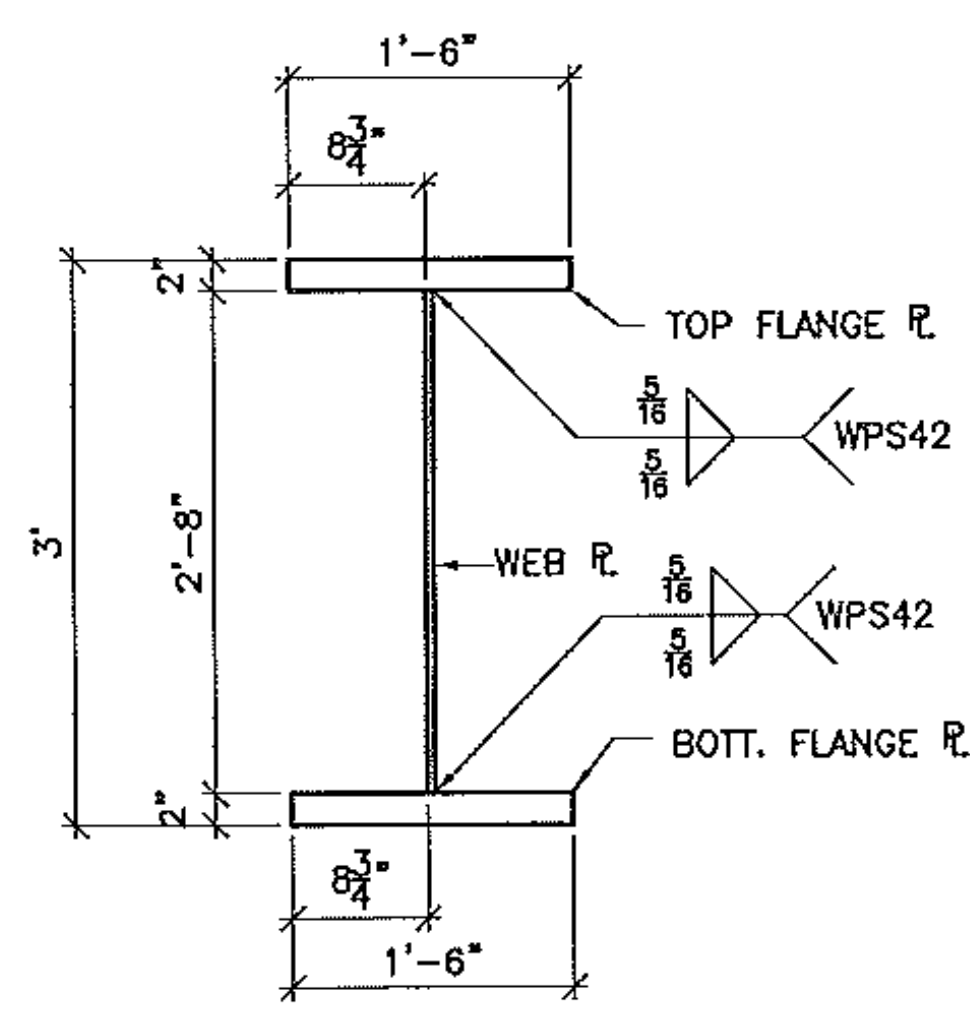


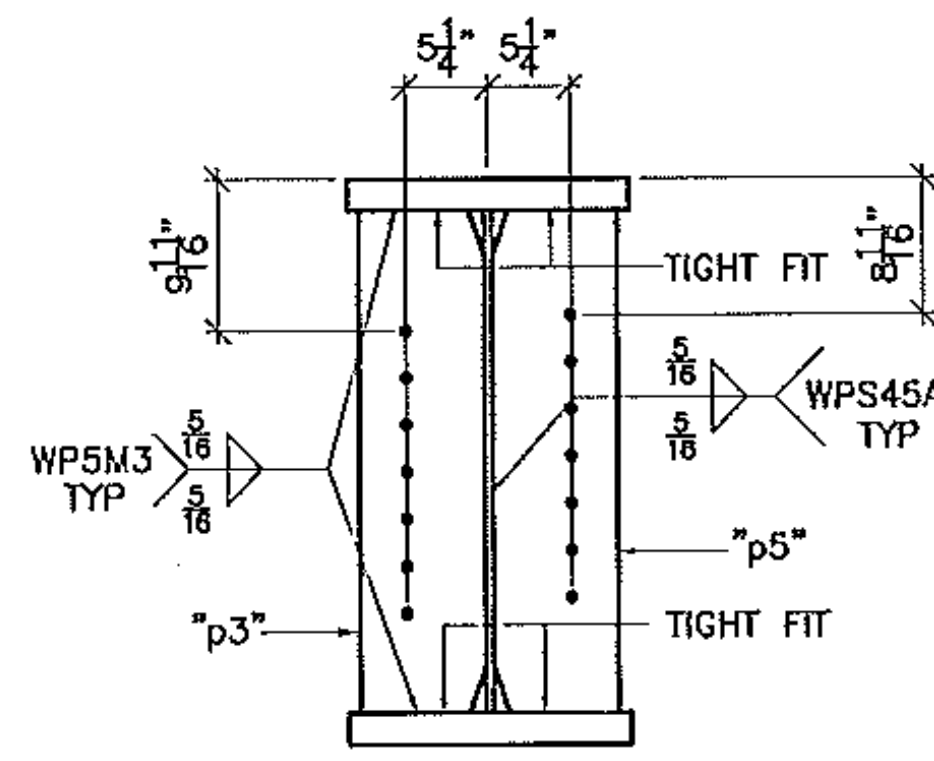
TOP VIEW (BOTTOM VIEW SIM.)



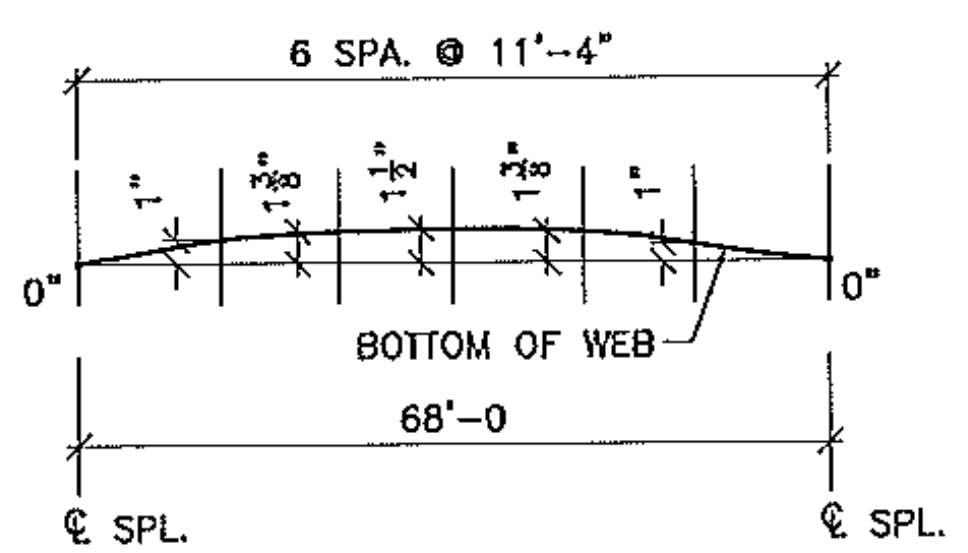
1 GIRDER ASSEMBLY 67'-11 3/4" LG. MARK "3G3"



SECTION M
(GIRDER ASS'Y)



SECTION U



CAMBER DIAGRAM

BILL OF MATERIAL

SHIP	SHIP MARK	NO. PCS.	PIECE MARK	DESCRIPTION	LENGTH	REMARKS	WT.
1	3G3			BRIDGE GIRDER			
		1	wp3	PL 1/2 X 32	67'-11 3/4"		3703
		1	u3	PL 2X18	67'-11 3/4"		8331
		1	u3	PL 2X18	67'-11 3/4"		8331
		5	p5	SEE SHT. 26			
		5	p3	SEE SHT. 26			
		2	s5	SEE SHT. 26			
		4	s6	SEE SHT. 26			
		2	s7	SEE SHT. 26			
		2	fp2	SEE SHT. 26			

GIRDER WT: 22,357

Vermont Agency of Transportation

RECEIVED

CK'D BY GFR OK'D BY

05/15/2012

RESUBMIT APPROVED X

BY C. CARLSON DATE 05/16/2012

SEE .dxf FILES FOR WEB PL CUTTING

SEE SHEET 26 FOR PIECE DETAILS

SEE SHEET B1 FOR NOTES

FINISH	NO	DATE	DESCRIPTION	BY
MATERIAL				
HOLES				
ELECTRODES				
WELDS				
SURFACE PREP				



ADVANCED RESOURCES & CONST. ENTERPRISES, INCORPORATED
P.O. BOX 120 KINGFIELD, ME, 04947
PHONE: (207) 265-2648 - FAX: (207) 265-4054

DRAFTER	DATE	CHECKED	JOB #	STRINGER DETAILS	CONTRACT NO.
JAC	4/11/12	JS	12-100	VERMONT AGENCY OF TRANSPORTATION, NEWPORT CITY, CO. OF GREENS RAILROAD SQUARE, WH1 (CLASS 2) MAJOR COLLECTOR, BRIDGE NO. 8	BRO 1449 (25)
				G.C. REED & REED	DWG. NO. 13