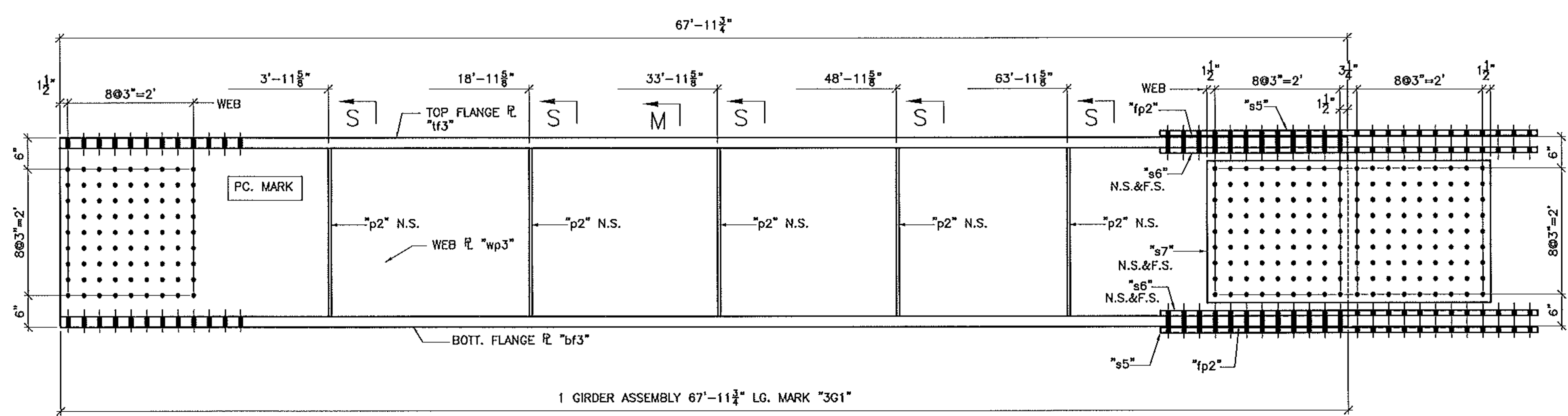
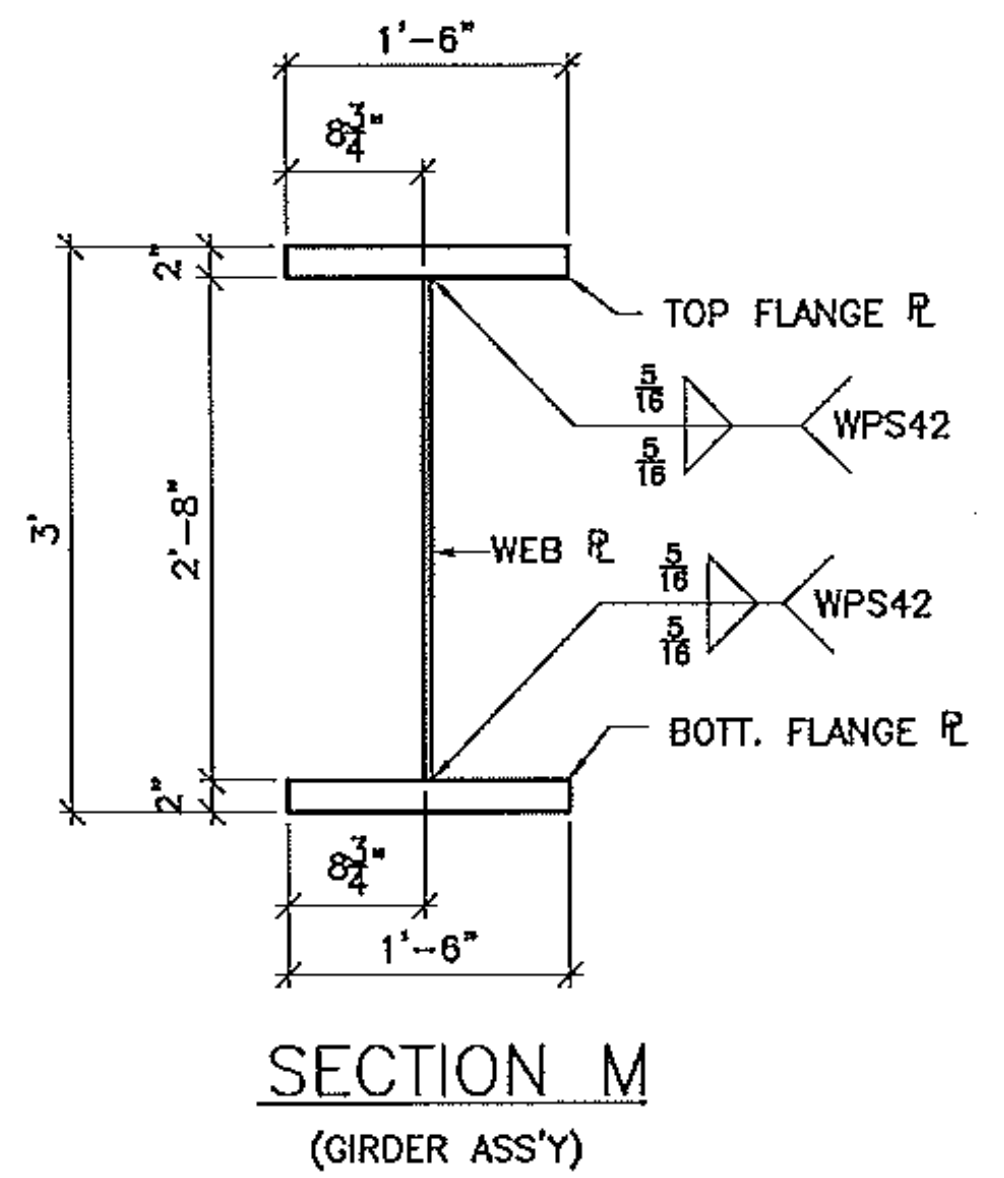


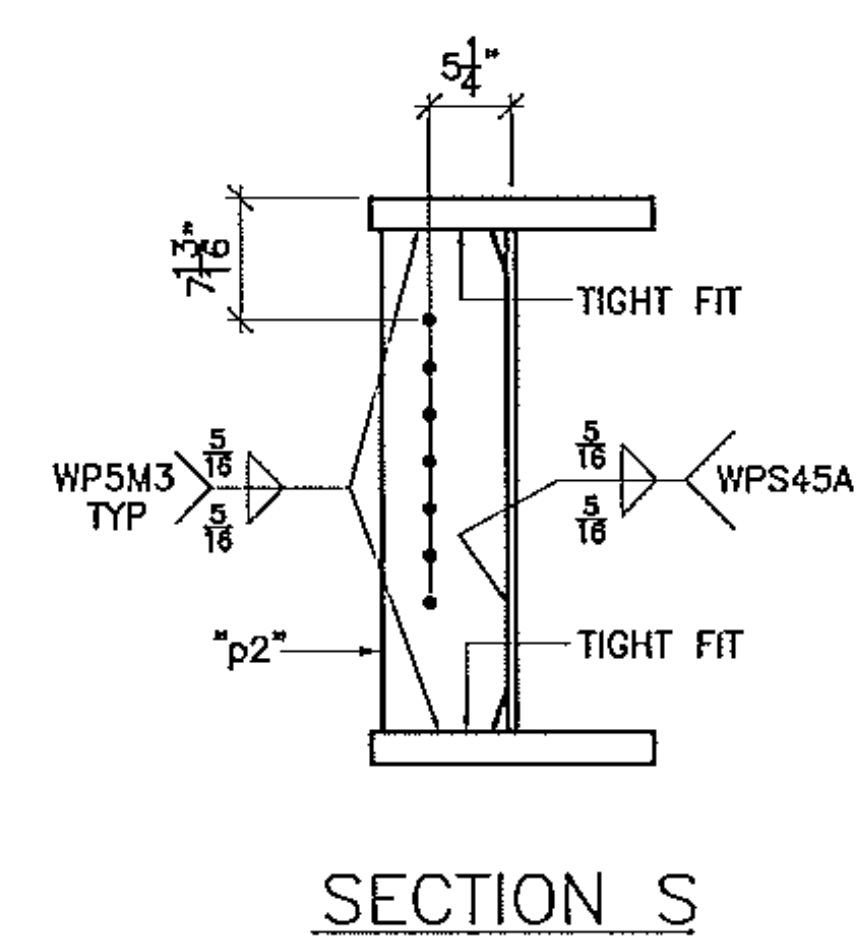
TOP VIEW (BOTTOM VIEW SIM.)



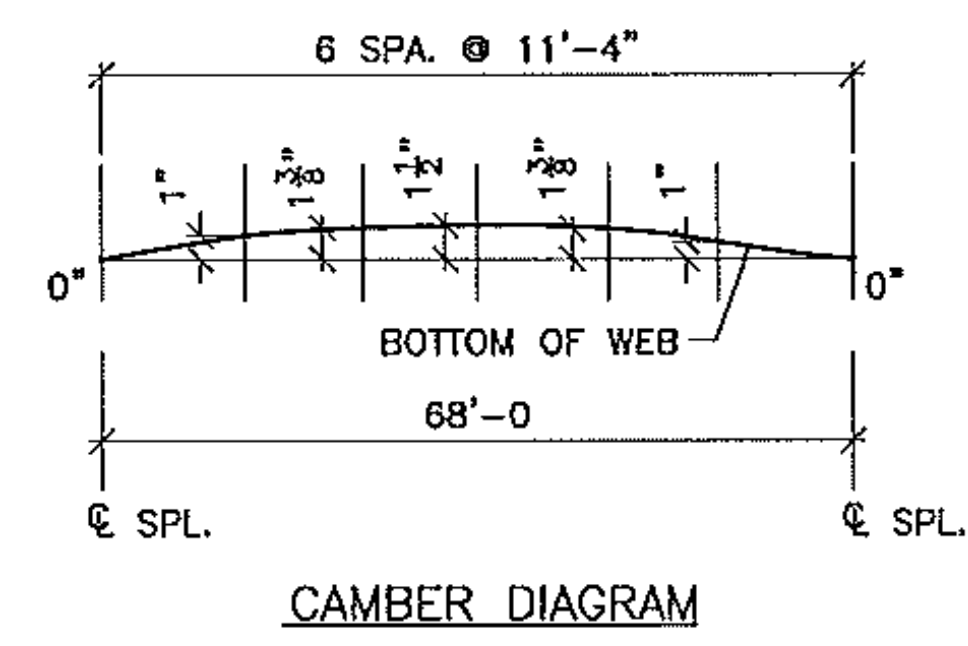
1 GIRDER ASSEMBLY 67'-11 3/4" LG. MARK "3G1"



SECTION M
(GIRDER ASS'Y)



SECTION S



CAMBER DIAGRAM

BILL OF MATERIAL


SHIP	SHIP MARK	NO. PCS.	PIECE MARK	DESCRIPTION	LENGTH	REMARKS	WT.
1	3G1	1		BRIDGE GIRDER			
		1	wp3	R. 1/2 X 32	67'-11 3/4"		3703
		1	lf3	R. 2X18	67'-11 3/4"		8331
		1	bf3	R. 2X18	67'-11 3/4"		8331
		5	p2	SEE SHIT. 26			
		2	s5	SEE SHIT. 26			
		4	s6	SEE SHIT. 26			
		2	s7	SEE SHIT. 26			
		2	fp2	SEE SHIT. 26			

GIRDER WT: 22,177

Vermont Agency of Transportation
RECEIVED

CK'D BY GFR OK'D BY _____
05/15/2012
RESUBMIT _____ APPROVED X _____
BY C. CARLSON DATE 05/16/2012

SEE .dxf FILES FOR WEB R. CUTTING
SEE SHEET 26 FOR PIECE DETAILS
SEE SHEET B1 FOR NOTES

FINISH	MATERIAL	MASTO M270 (ASTM A709) GRADE 50
HOLES	15/16" U.O.H.	
ELECTRODES		
WELDS	PER WPS	
SURFACE PREP		
NO. DATE DESCRIPTION BY		
REVISIONS		
 ADVANCED RESOURCES & CONST. ENTERPRISES, INCORPORATED P.O. BOX 120 KINGFIELD, ME. 04947 PHONE: (207) 265-2648 - FAX: (207) 265-4054		
DRAFTER	JAC	STRINGER DETAILS
DATE	4/11/12	VERMONT AGENCY OF TRANSPORTATION, NEWPORT CITY, CO. OF GLENS RAILROAD SQUARE, 1111 (CLASS 2) MAJOR COLLECTOR, BRIDGE NO. 9
CHECKED	JS	G.C. REED & REED
JOB #	12-100	CONTRACT NO. BRD 1449 (25) DWG. NO. 11

JAC. DRAFTING/S15B12/011