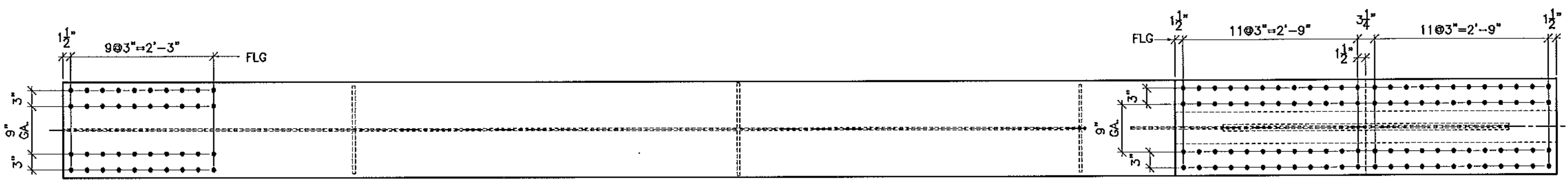
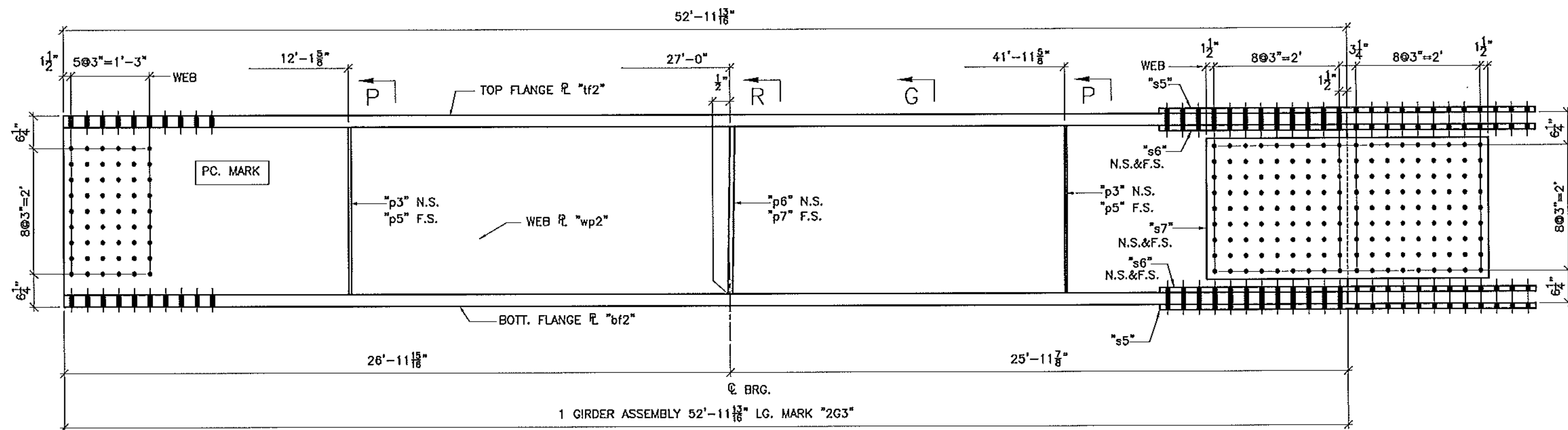


BILL OF MATERIAL

SHIP	SHIP MARK	NO. PCS.	PIECE MARK	DESCRIPTION	LENGTH	REMARKS	WT.
1	2G3			BRIDGE GIRDER	52'-11 1/8"		
		1	wp2	R 1/2 X 3/2	52'-11 1/8"		2888
		1	wp2	R 2 1/2 X 1 1/8	52'-11 1/8"		7305
		1	wp2	R 2 1/2 X 1 1/8	52'-11 1/8"		7305
		1	p8	SEE SHT. 26			
		2	p3	SEE SHT. 26			
		1	p7	SEE SHT. 26			
		2	p5	SEE SHT. 26			
		2	s5	SEE SHT. 26			
		4	s6	SEE SHT. 26			
		2	s7	SEE SHT. 26			



TOP VIEW (BOTTOM VIEW SIM.)



GIRDER WT: 19.314

Vermont Agency of Transportation
RECEIVED

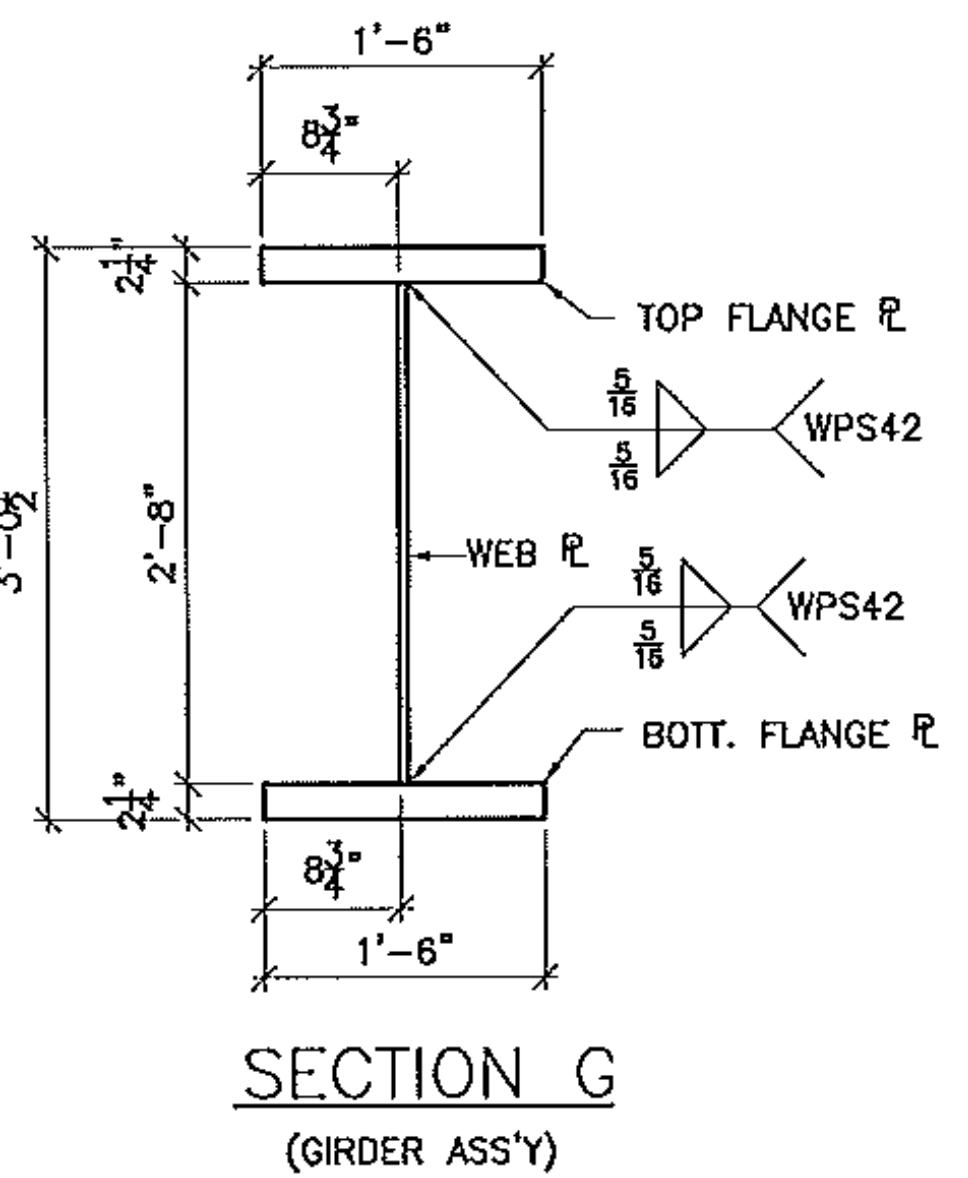
CK'D BY GFR OK'D BY
05/15/2012
RESUBMIT APPROVED X
BY C. CARLSON DATE 05/16/2012

SEE .dxf FILES FOR WEB R CUTTING
SEE SHEET 26 FOR PIECE DETAILS
SEE SHEET B1 FOR NOTES

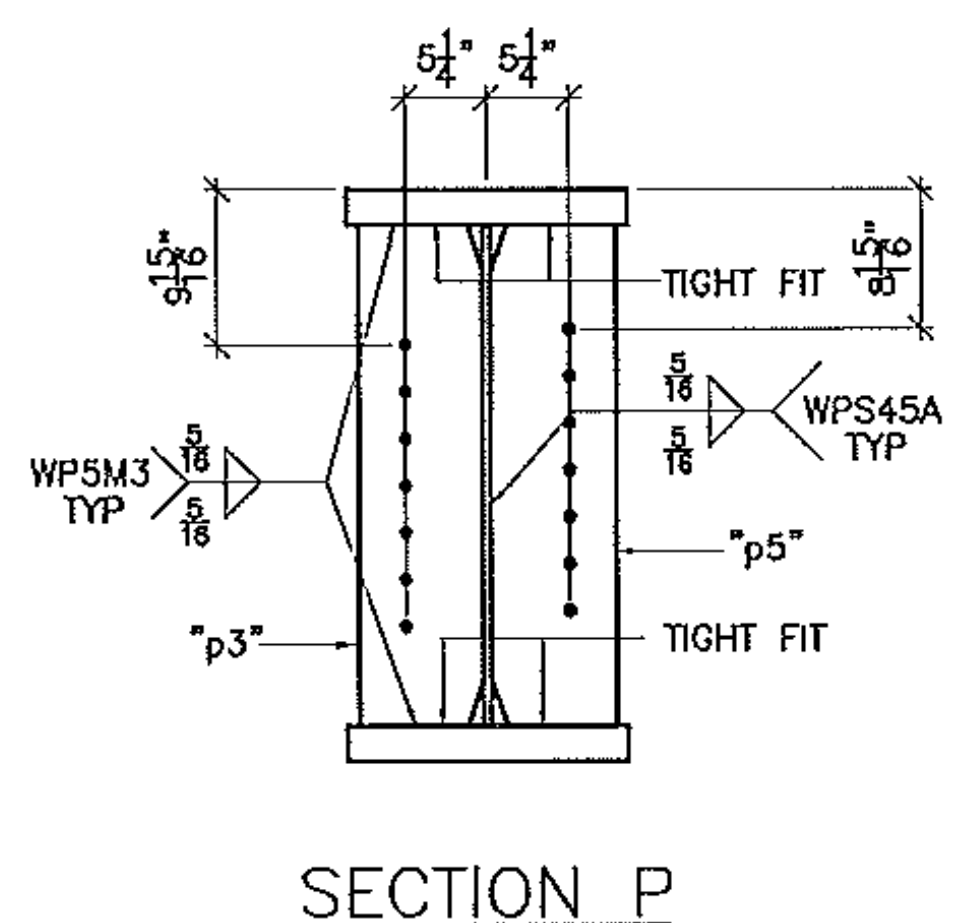
FINISH	MATERIAL	MASHTO M270 (ASTM A709) GRADE 50		
HOLES		15/16" U.O.M.		
ELECTRODES				
WELDS	PER WPS			
SURFACE PREP		5/15/12	PER APPROVAL	JAC
		NO	DATE	DESCRIPTION
REVISIONS				

ARC ENTERPRISES, INC.
ADVANCED RESOURCES & CONST. ENTERPRISES, INCORPORATED
P.O. BOX 120 KINGFIELD, ME. 04947
PHONE: (207) 265-2646 - FAX: (207) 265-4054

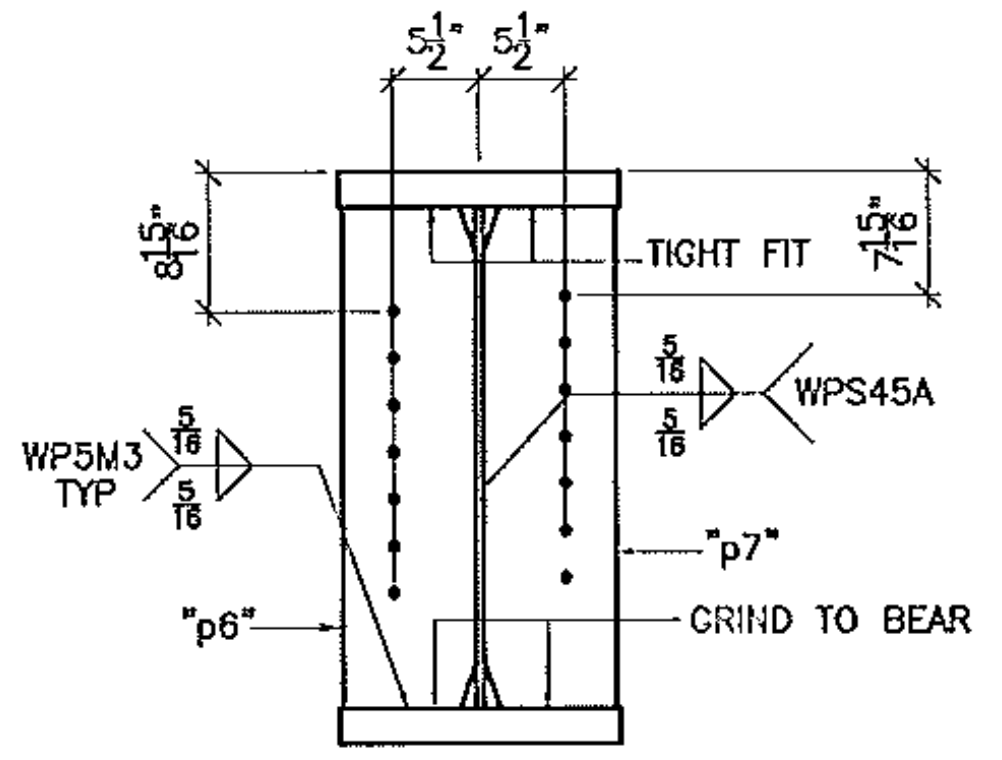
DRAFTER	JAC	STRINGER DETAILS	CONTRACT NO.
DATE	4/11/12	VERMONT AGENCY OF TRANSPORTATION, MEMPHIS CITY, CO. OF OULEANS RAILROAD SQUARE, BTH (CLASS 2) MAJOR COLLECTOR, BRIDGE NO. 8	BR0 1449 (25)
CHECKED	JS	O.C. REED & REED	DWG. NO.
JOB #	12-100		8



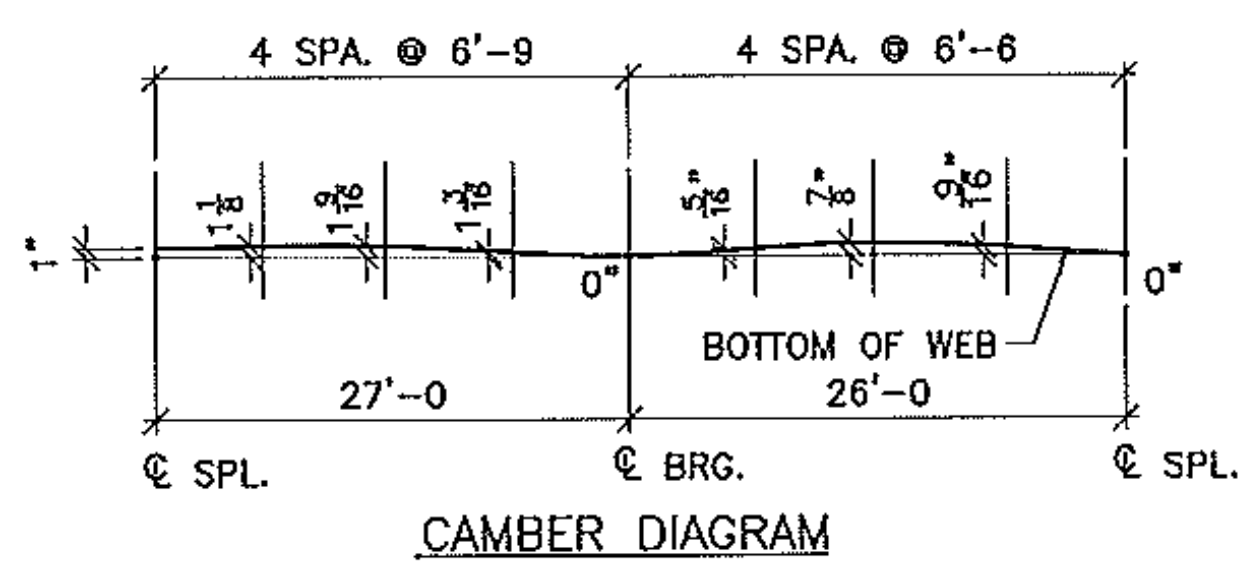
SECTION G
(GIRDER ASS'Y)



SECTION P



SECTION R



CAMBER DIAGRAM