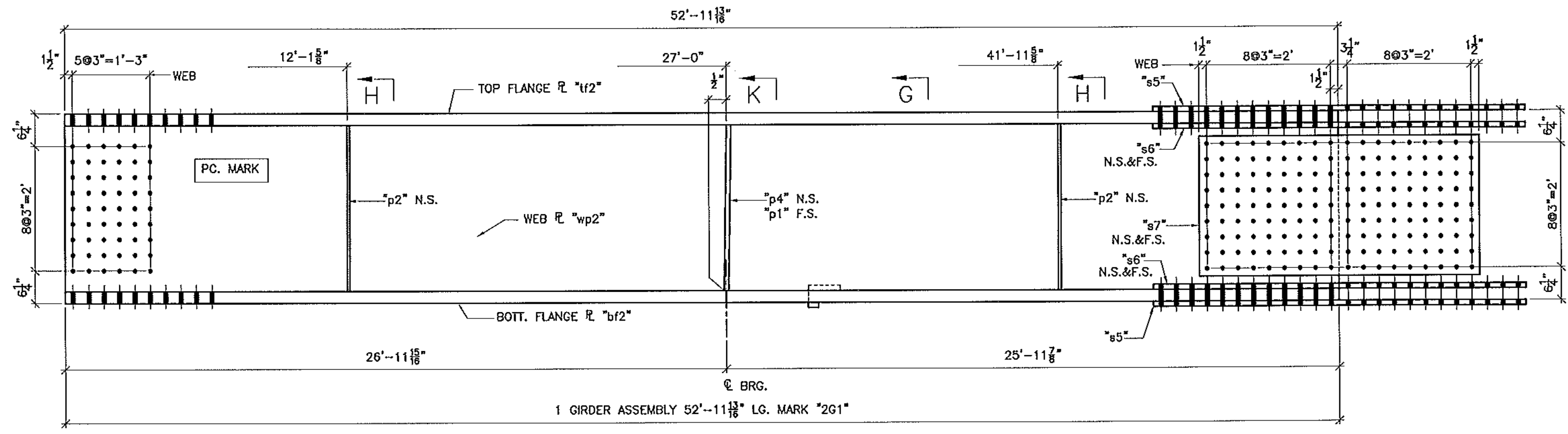
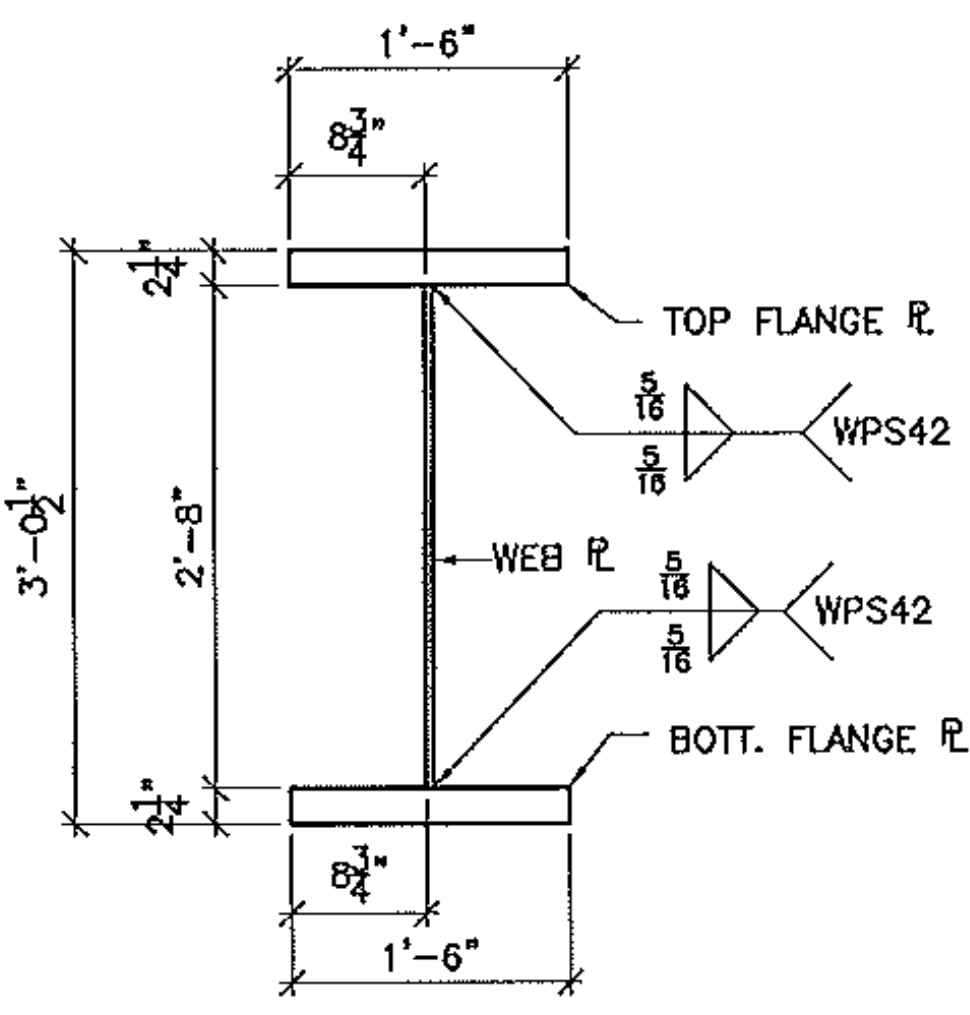


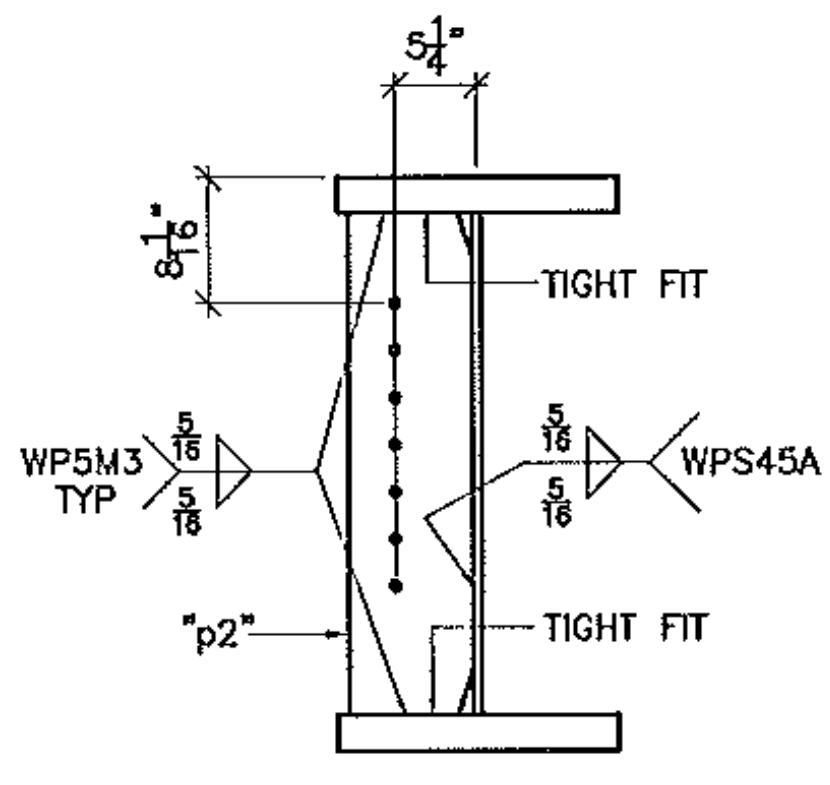
TOP VIEW (BOTTOM VIEW SIM.)



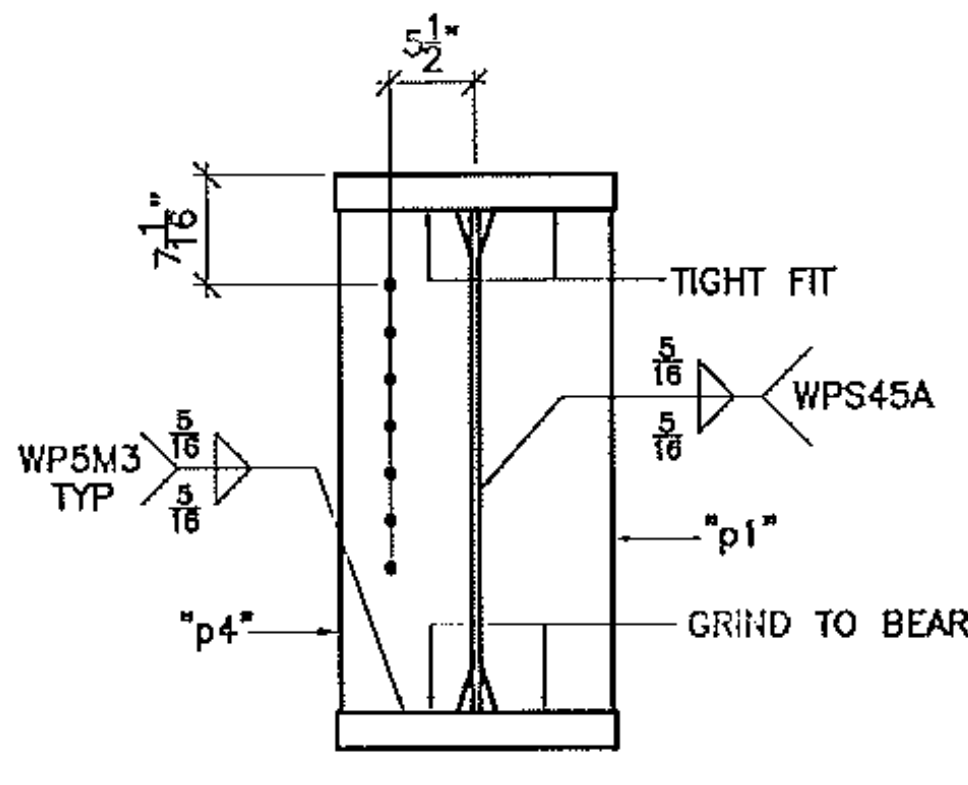
1 GIRDER ASSEMBLY 52'-11 13/16" LG. MARK "2G1"



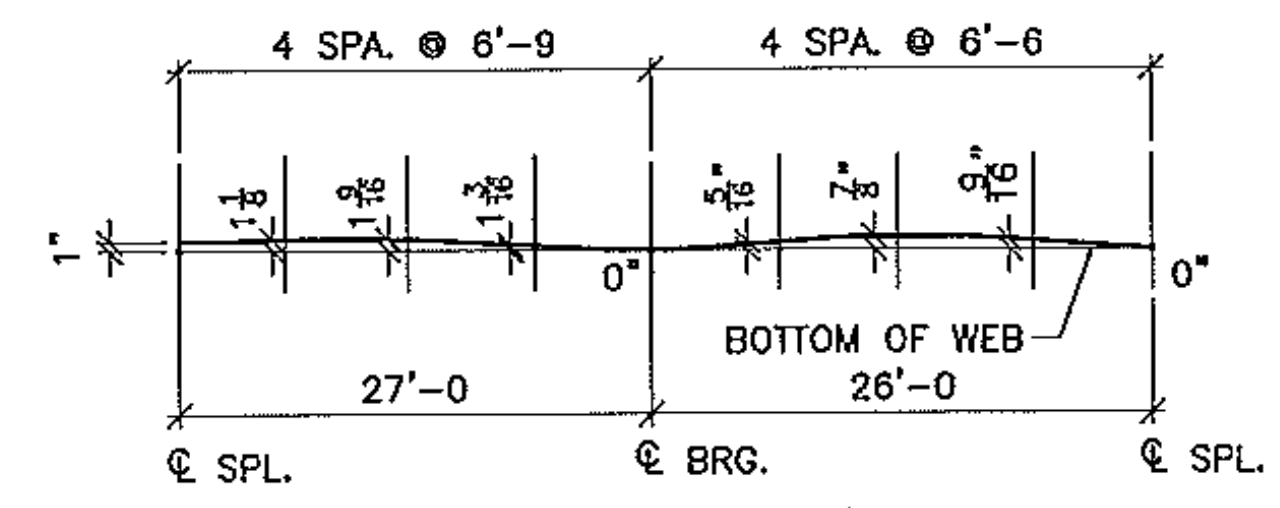
SECTION G  
(GIRDER ASS'Y)



SECTION H



SECTION K



CAMBER DIAGRAM

BILL OF MATERIAL

SHIP	SHIP MARK	NO. PCS.	PIECE MARK	DESCRIPTION	LENGTH	REMARKS	WT.
1	2G1	1		BRIDGE GIRDER			
		1	wp2	R 1/2 X 32	52'-11 13/16"		2886
		1	tf2	R 2 1/2 X 18	52'-11 13/16"		7305
		1	bf2	R 2 1/2 X 18	52'-11 13/16"		7305
		1	p1	SEE SHT. 26			
		2	p2	SEE SHT. 26			
		1	p4	SEE SHT. 26			
		2	s5	SEE SHT. 26			
		4	s6	SEE SHT. 26			
		2	s7	SEE SHT. 26			

GIRDER WT: 19,242

Vermont Agency of Transportation  
**RECEIVED**

CK'D BY GFR OK'D BY  
05/15/2012

RESUBMIT APPROVED X  
BY C. CARLSON DATE 05/16/2012

SEE .dxf FILES FOR WEB R CUTTING  
SEE SHEET 26 FOR PIECE DETAILS  
SEE SHEET B1 FOR NOTES

FINISH	NO.	DATE	DESCRIPTION	BY
MATERIAL			MASHTO M270 (ASTM A709) GRADE 50	
HOLES			15/16" U.O.M.	
ELECTRODES				
WELDS			PER WPS	
SURFACE PREP				
		5/15/12	PER APPROVAL	JAC

**ARC** ENTERPRISES, INC.  
ADVANCED RESOURCES & CONST. ENTERPRISES, INCORPORATED  
P.O. BOX 120 KINGFIELD, ME, 04947  
PHONE: (207) 265-2646 - FAX: (207) 265-4054

DRAFTER	DATE	CHECKED	JOB #	STRINGER DETAILS	CONTRACT NO.
JAC	4/11/12	JS	12-100	NEWPORT AGENCY OF TRANSPORTATION, NEWPORT CITY, CO. OF OREGON RAILROAD SQUARE, 3111 (CLASS 2) MAJOR COLLECTOR, BRIDGE NO. 8 G.C. REED & REED	ERO 1449 (25)