

BILL OF MATERIAL

| SHIP | SHIP MARK | NO. PCS. | PIECE MARK | DESCRIPTION | LENGTH | REMARKS | WT. |
|------|-----------|----------|------------|---------------|------------|---------|------|
| 1 | 1G2 | | | BRIDGE GIRDER | | | |
| | | 1 | wp1 | PL 1/2 X 32 | 62'-6" | | 3403 |
| | | 1 | w1 | PL 1 1/2 X 18 | 62'-5 1/2" | | 4788 |
| | | 1 | bf1 | PL 1 1/2 X 18 | 62'-6" | | 4788 |
| | | 2 | p1 | SEE SHT. 26 | | | |
| | | 4 | p2 | SEE SHT. 26 | | | |
| | | 4 | p3 | SEE SHT. 26 | | | |
| | | 2 | s1 | SEE SHT. 26 | | | |
| | | 4 | s2 | SEE SHT. 26 | | | |
| | | 2 | s3 | SEE SHT. 26 | | | |
| | | 2 | fp1 | SEE SHT. 26 | | | |

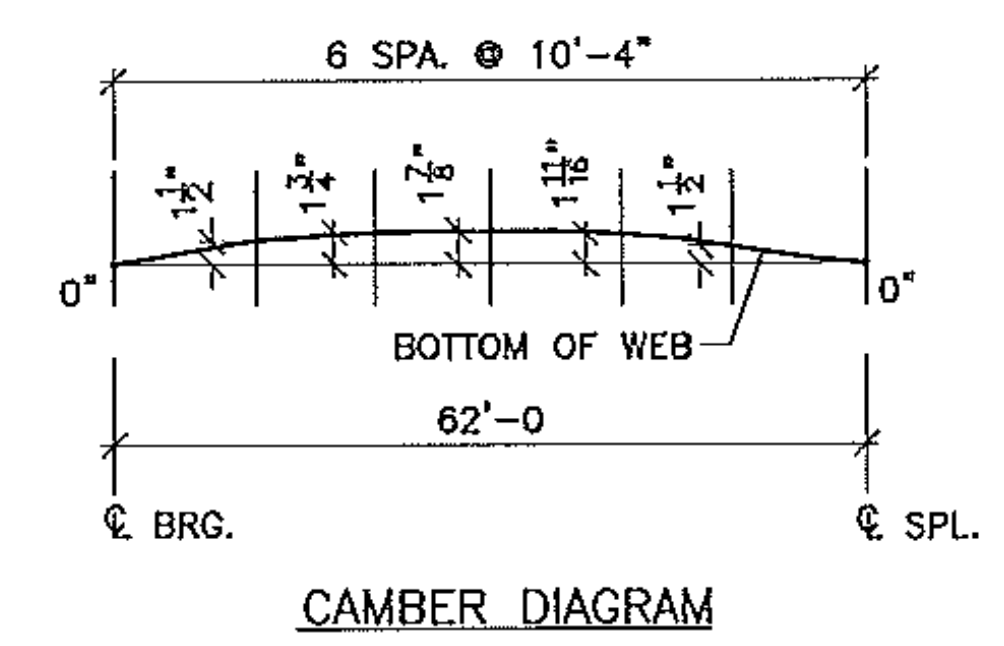
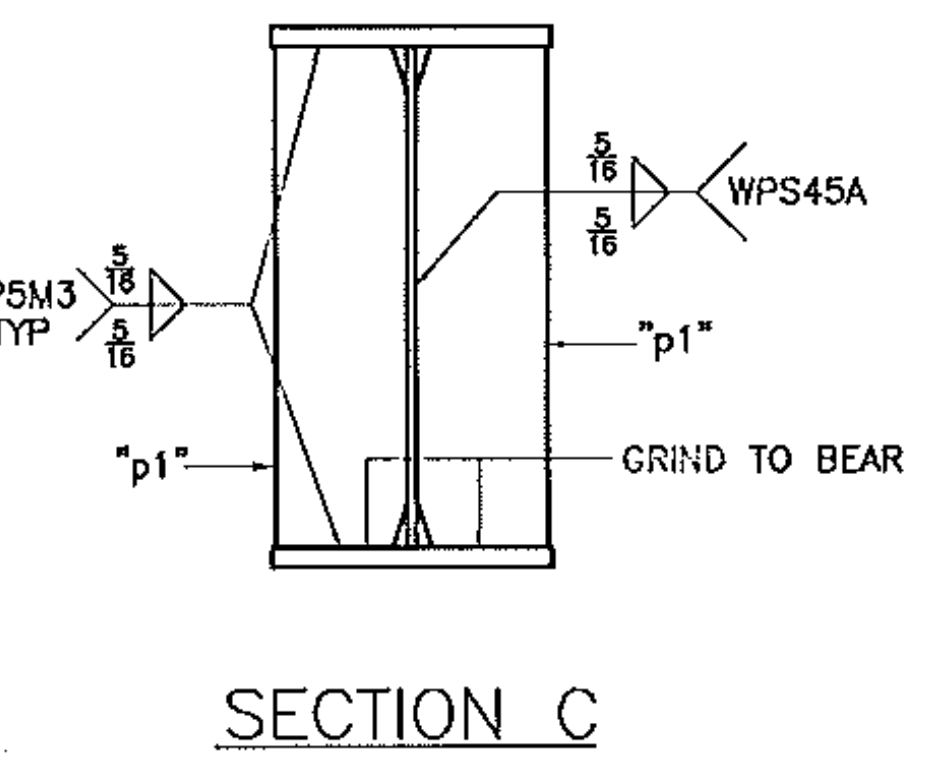
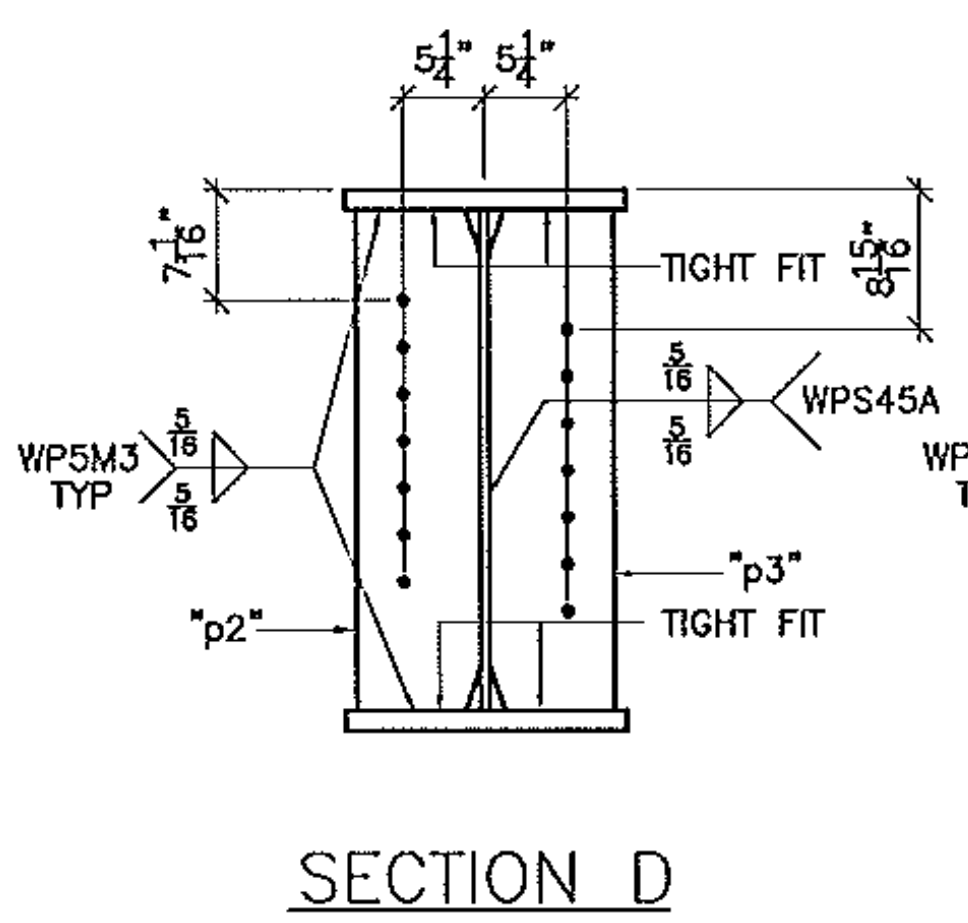
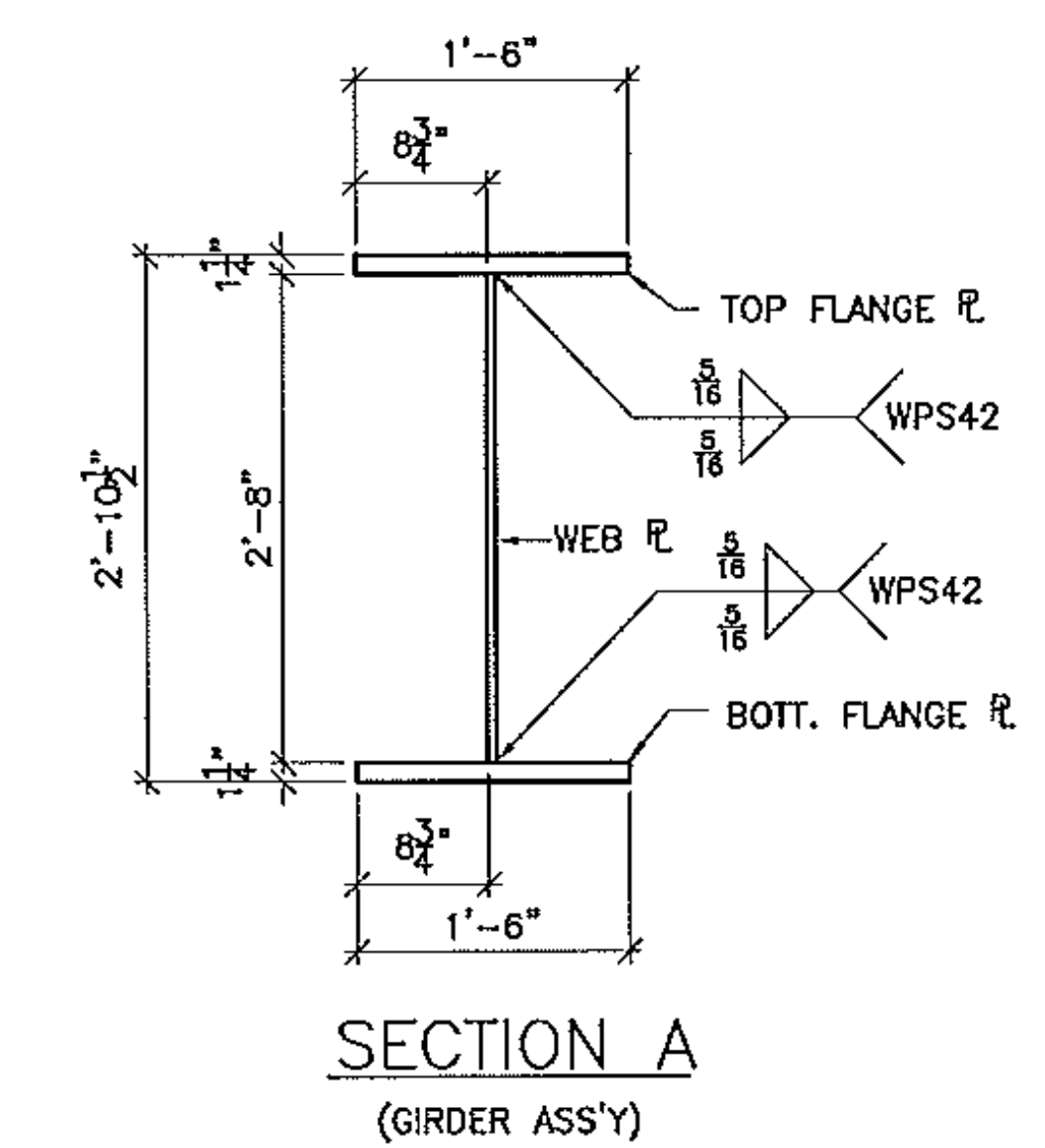
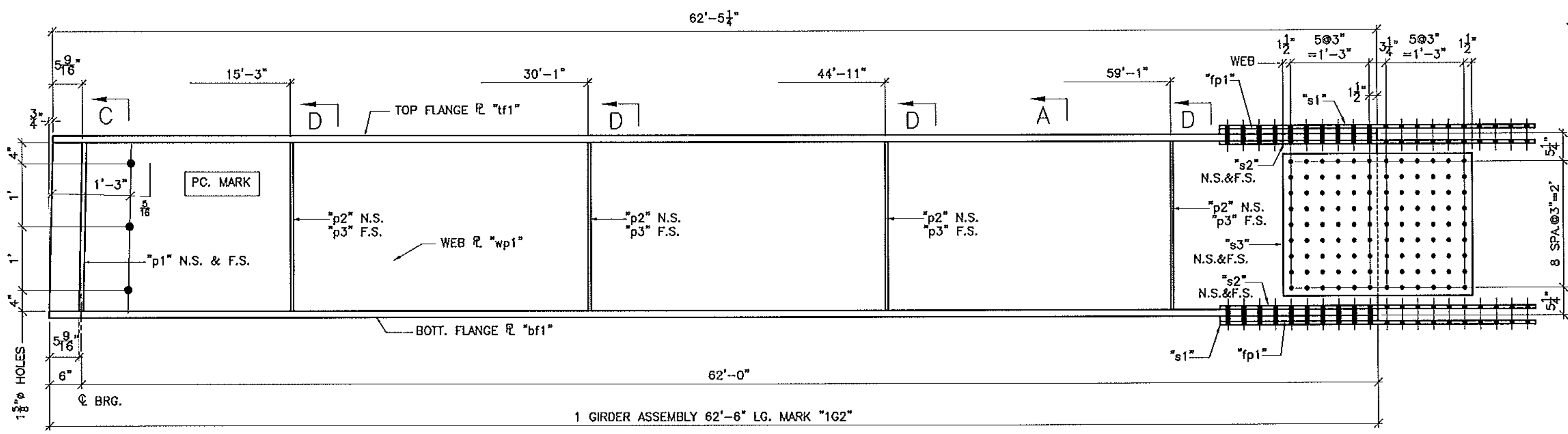
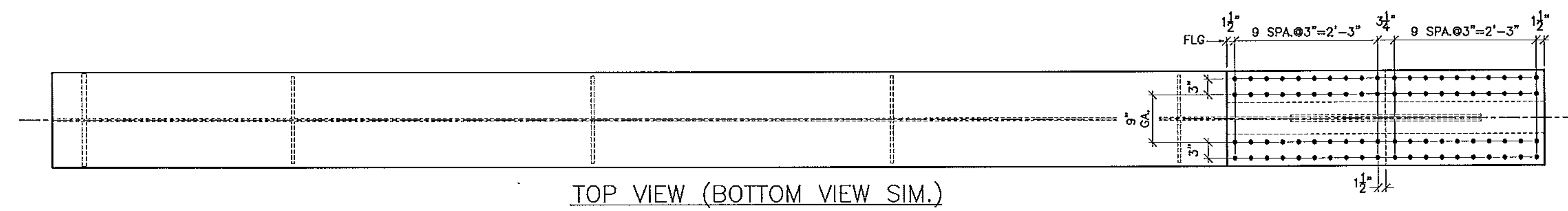
GIRDER WT: 15,141

Vermont Agency of Transportation
RECEIVED
 CK'D BY GFR OK'D BY _____
 05/15/2012
 RESUBMIT _____ APPROVED X _____
 BY C. CARLSON DATE 05/16/2012

SEE .dxf FILES FOR WEB R CUTTING
 SEE SHEET 26 FOR PIECE DETAILS
 SEE SHEET B1 FOR NOTES

| | | | |
|--------------|----------------------------------|---------|--------------|
| FINISH | | | |
| MATERIAL | AASHTO M270 (ASTM A708) GRADE 50 | | |
| HOLES | 15/16" U.O.M. | | |
| ELECTRODES | | | |
| WELDS | PER WPS | | |
| SURFACE PREP | | 5/15/12 | PER APPROVAL |
| | | NO | DATE |
| | | | DESCRIPTION |
| | | | BY |

| | | | |
|---------|---------|--|---------------|
| | | ADVANCED RESOURCES & CONST. ENTERPRISES, INCORPORATED P.O. BOX 120 KINGFIELD, ME, 04947 PHONE: (207) 265-2649 - FAX: (207) 265-4054 | |
| DRAFTER | JAC | STRINGER DETAILS | CONTRACT NO. |
| DATE | 4/11/12 | VERMONT AGENCY OF TRANSPORTATION, NEWPORT CITY, CO. OF GREENS | BRD 1449 (26) |
| CHECKED | JS | RAKROD SQUARE, 1011 (CLASS 2) MAJOR COLLECTOR, BRIDGE NO. 9 | DWG. NO. |
| JOB # | 12-100 | G.C. REED & REED | 2 |



JAC: DRWING/5/15/12/122