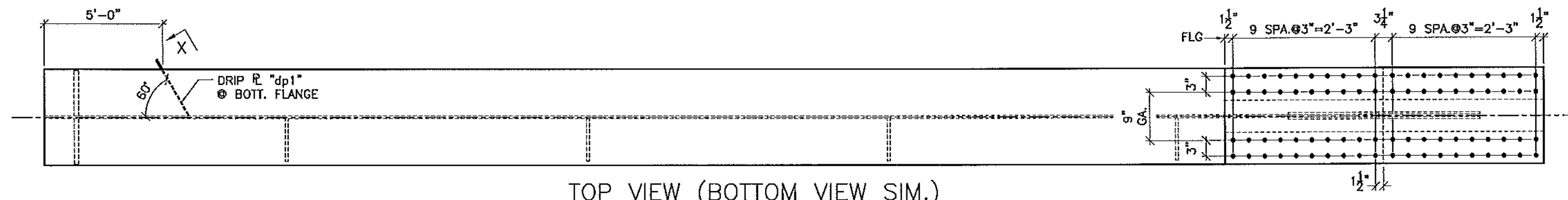
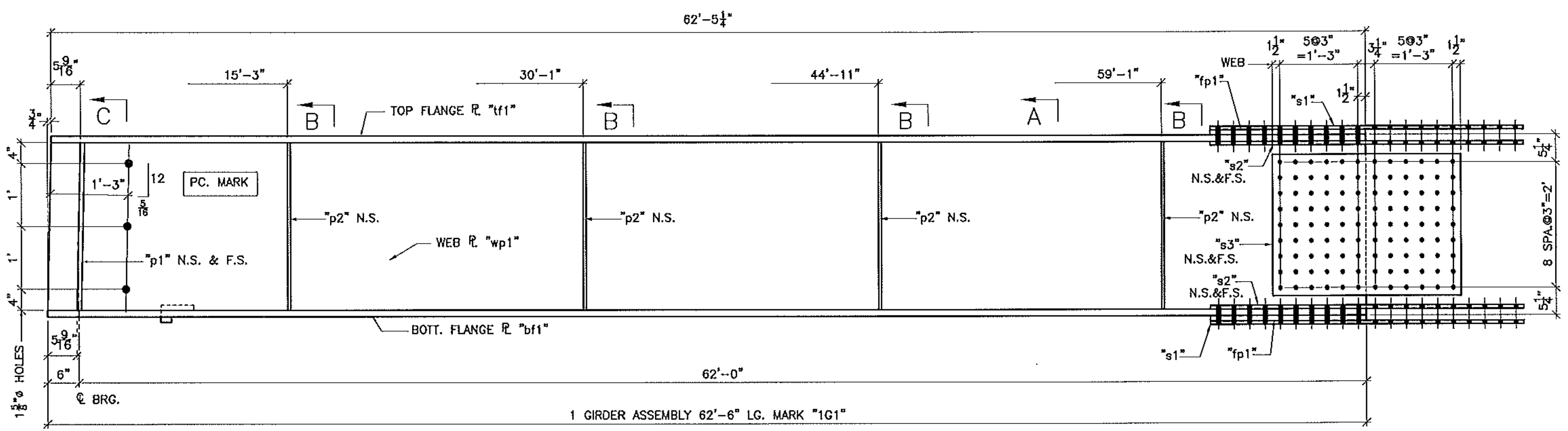


BILL OF MATERIAL

SHIP	SHIP MARK	NO. PCS.	PIECE MARK	DESCRIPTION	LENGTH	REMARKS	WT.
1	1G1			BRIDGE GIRDER			
		1	wp1	PL 1/2 X 32	62'-6"		3403
		1	wf1	PL 1 1/2 X 18	62'-5 1/4"		4766
		1	wf1	PL 1 1/2 X 18	62'-6"		4766
		2	p1	SEE SHT. 26			
		4	p2	SEE SHT. 26			
		2	s1	SEE SHT. 26			
		4	s2	SEE SHT. 26			
		2	s3	SEE SHT. 26			
		2	fp1	SEE SHT. 26			



TOP VIEW (BOTTOM VIEW SIM.)



1 GIRDER ASSEMBLY 62'-6" LG. MARK "1G1"

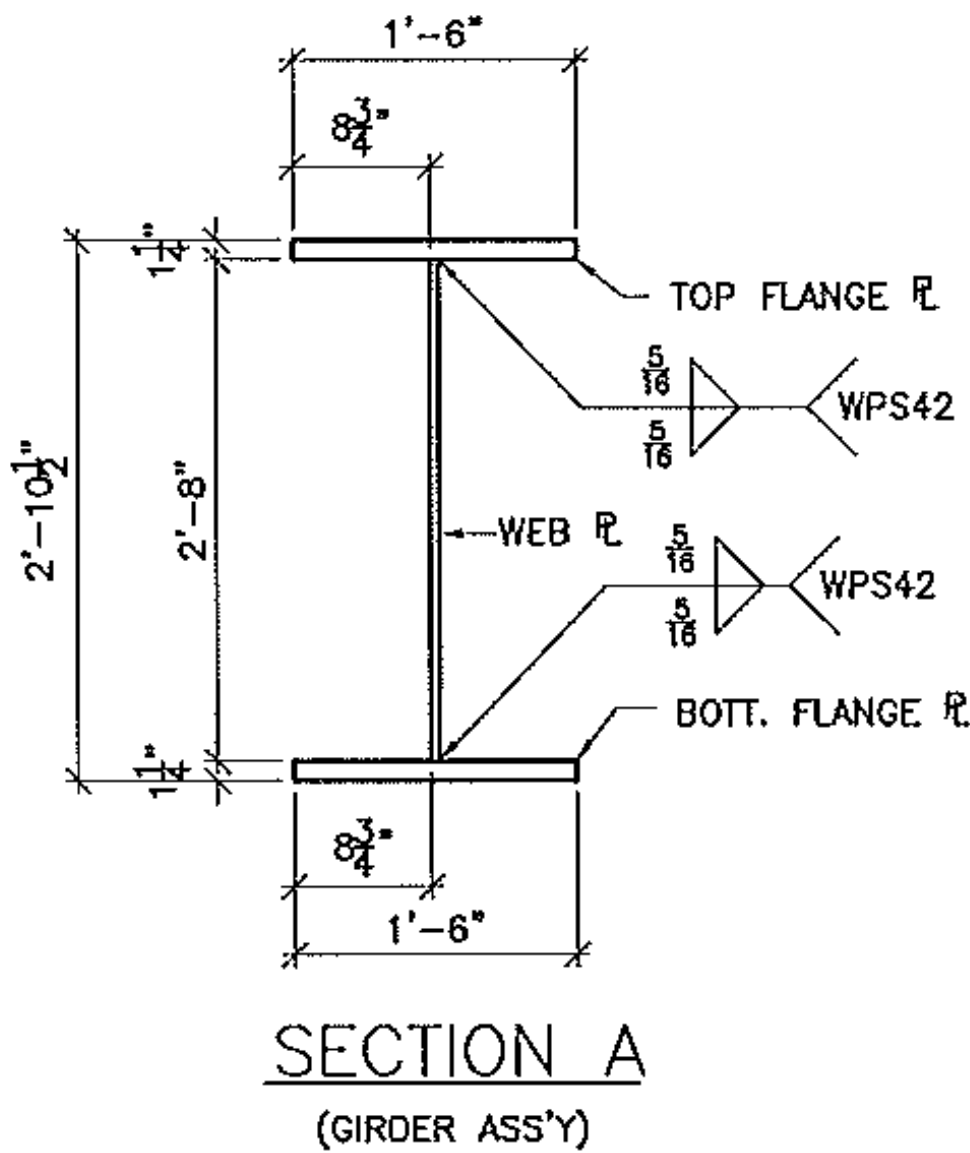
GIRDER WT: 14,997

Vermont Agency of Transportation
RECEIVED

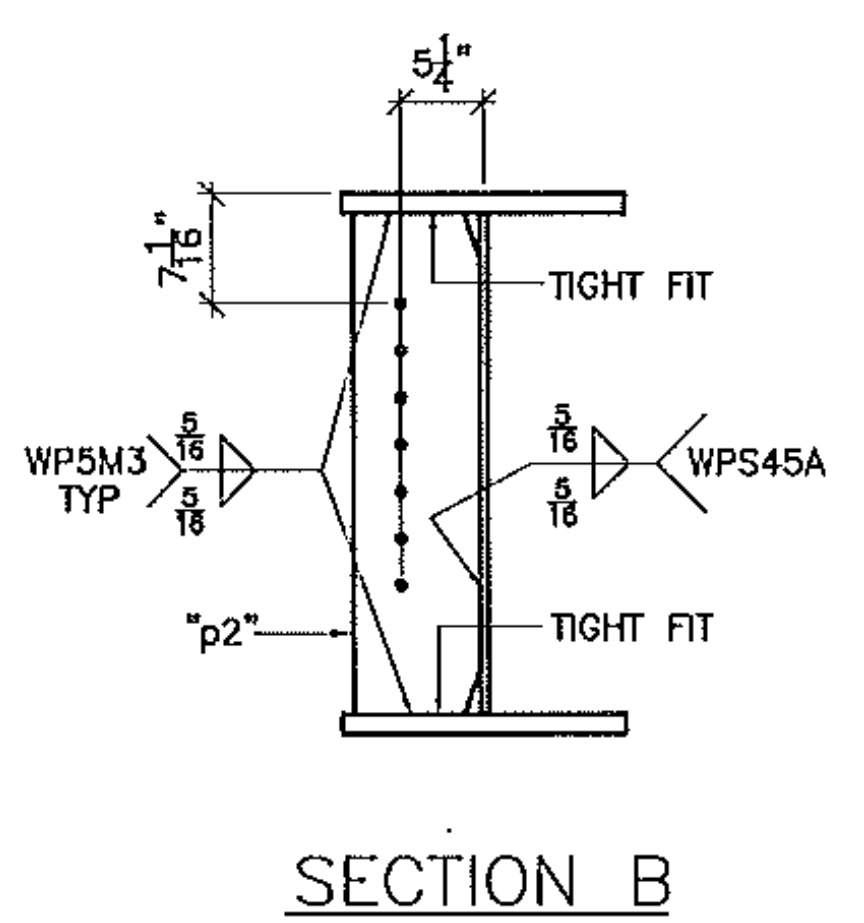
CK'D BY GFR OK'D BY
05/15/2012

RESUBMIT APPROVED X
BY C. CARLSON DATE 05/16/2012

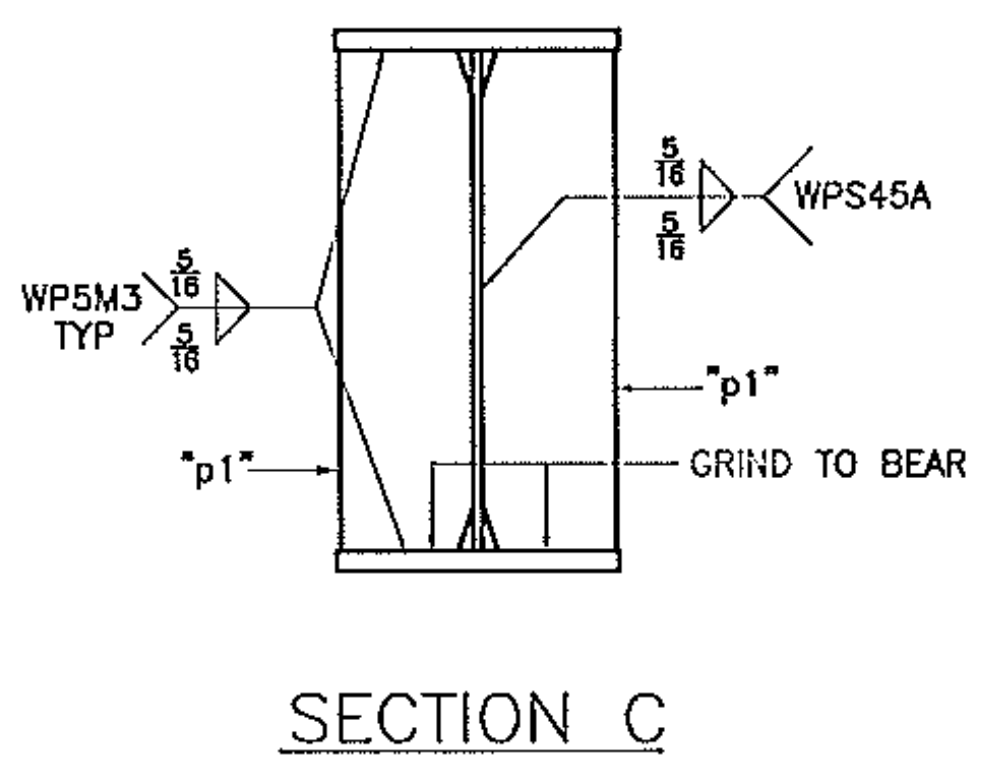
SEE .dxf FILES FOR WEB R. CUTTING
SEE SHEET 26 FOR PIECE DETAILS
SEE SHEET B1 FOR NOTES



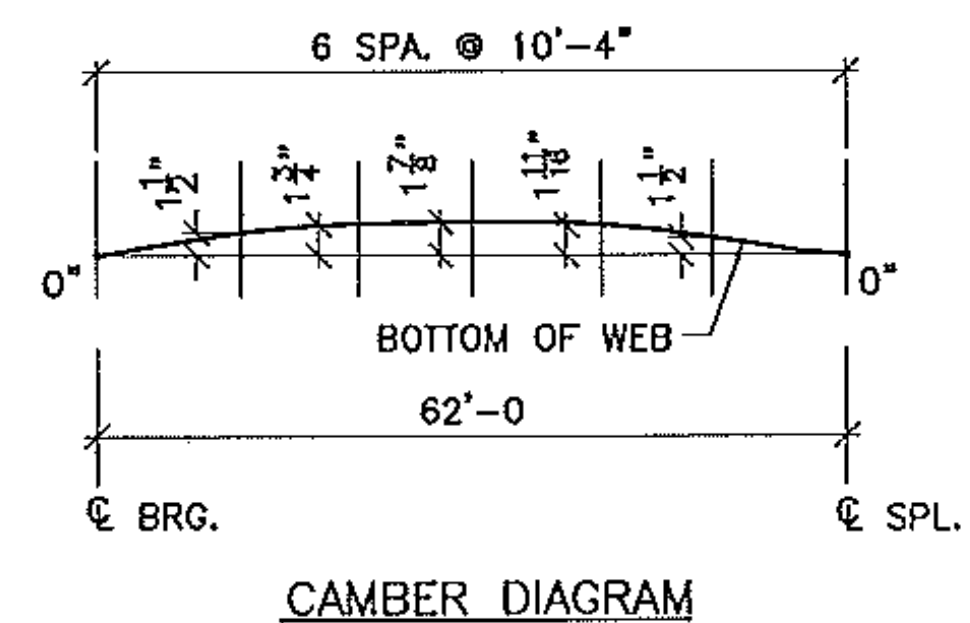
SECTION A
(GIRDER ASS'Y)



SECTION B



SECTION C



CAMBER DIAGRAM

REVISIONS			
NO.	DATE	DESCRIPTION	BY
1	5/15/12	PER APPROVAL	JAC

		ADVANCED RESOURCES & CONST. ENTERPRISES, INCORPORATED P.O. BOX 120 KINGFIELD, ME. 04847 PHONE: (207) 265-2646 - FAX: (207) 265-4054	
DRAFTER JAC DATE 4/11/12 CHECKED JS JOB # 12-100	STRINGER DETAILS VERMONT AGENCY OF TRANSPORTATION, NEWPORT CITY, CO. OF GREENS RAILROAD SQUARE, 1811 (CLASS 2) MAJOR COLLECTOR, BRIDGE NO. 9		CONTRACT NO. BR0 1449 (25) DWG. NO. 1