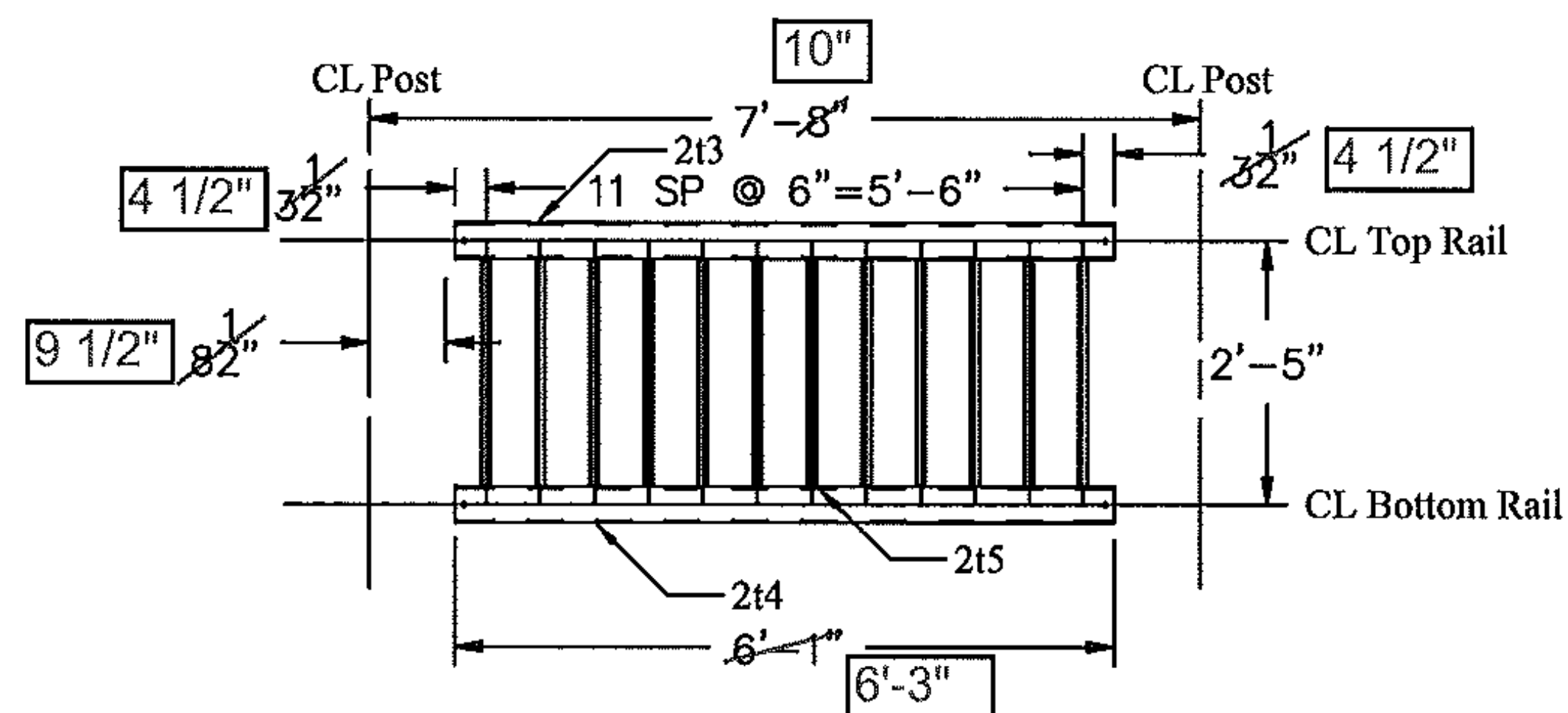
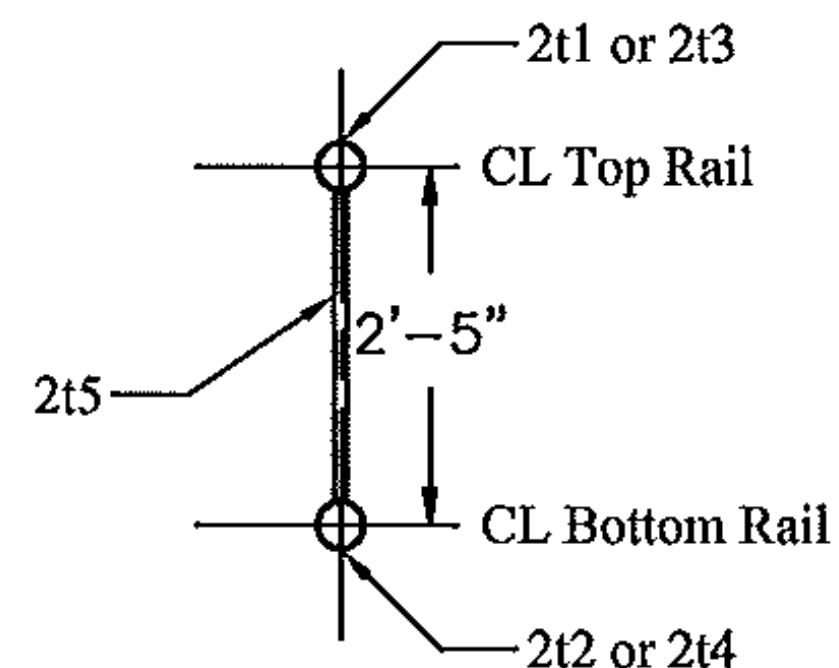


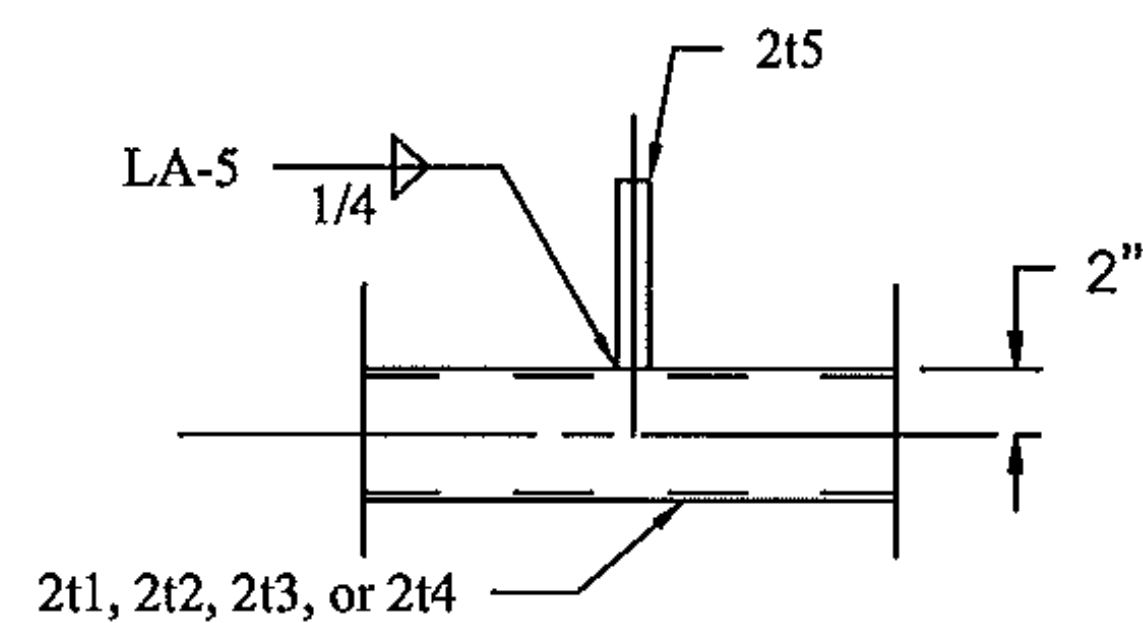
(60) - 2R1 BRIDGE RAIL STANDARD SECTION



(4) - 2R2 BRIDGE RAIL END SECTION



SECTION VIEW



BALUSTER DETAIL

Vermont Agency of Transportation

RECEIVED

CK'D BY David Peterson OK'D BY G. ROY

Oct 04, 2012

RESUBMIT APPROVED AS NOTED
BY C. CARLSON DATE 10/12/12

BILL OF MATERIALS

QTY	MARK	SHAPE	LENGTH	REMARKS
60	2R1	Bridge Rail Standard Section		
60	2t1	Pipe 3 1/2 x Sched 40	8'-5"	
60	2t2	Pipe 3 1/2 x Sched 40	8'-5"	
960	2t5	Pipe 3/4 x Sched 40	2'-1"	
4	2R2	Bridge Rail End Section		
4	2t3	Pipe 3 1/2 x Sched 40	6'-1"	6'-3"
4	2t4	Pipe 3 1/2 x Sched 40	6'-1"	6'-3"
48	2t5	Pipe 3/4 x Sched 40	2'-1"	

BRIDGE RAIL NOTES

1. BASE PLATES SHALL CONFORM TO AASHTO M270 GRADE 250.
2. STEEL PIPE FOR TOP AND BOTTOM RAIL, AND BALUSTERS SHALL BE SEAMLESS, CONFORMING TO ASTM A53, GRADE B.
3. HIGH STRENGTH BOLTS AND NUTS SHALL CONFORM TO ASTM 325, TYPE I.
4. ALL METAL RAILING PIPES, POSTS, BALUSTERS, BOLTS, NUTS AND WASHERS SHALL BE GALVANIZED AFTER FABRICATION IN CONFORMANCE WITH AASHTO M252 (ASTM A53) AND AASHTO M111 (ASTM (A123) AND PAINTED BLACK (COLOR CHIP #27038).

DRAWING COVERS	
ORNAMENTAL BRIDGE RAIL SECTIONS	
PROJECT	NEWPORT CITY BRO 1449(25)
LOCATION	RAILROAD SQUARE OVER LAKE MEMPHREMACOG
ENGINEER	VERMONT AGENCY OF TRANSPORTATION
CUSTOMER	REED & REED, INC.

REV NO.	DATE	DESCRIPTION
0	4-13-2012	SUBMITTED FOR APPROVAL
HOLES AS NOTED		
MATERIAL: ASTM 53 GRADE B GALV PAINTED BLACK		

MERRIMACK SHEET METAL

119 HALL STREET
CONCORD NH 03301

Tel. 603.224.7766
Fax 603.224.7925

DRAWN BY: RL
CHECKED BY: JD
JOB NO: #4255
DWG: F2