

1 - 1B1 ORNAMENTAL BRIDGE RAIL

Vermont Agency of Transportation

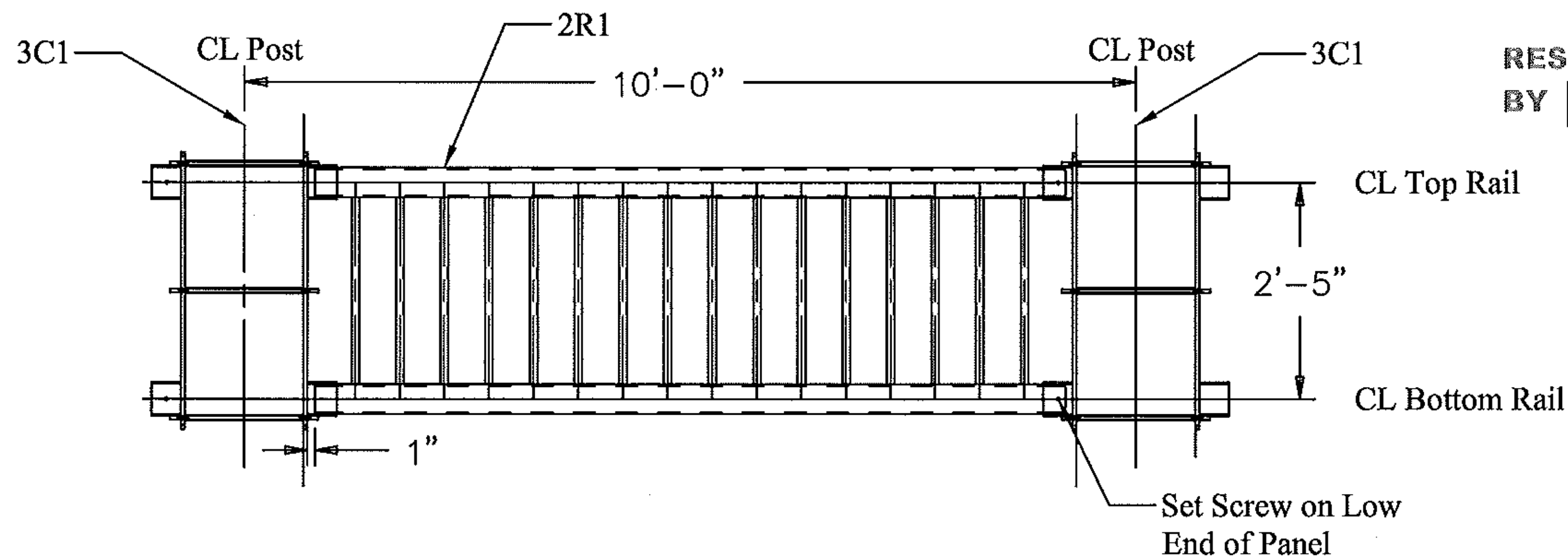
**RECEIVED**

CK'D BY David Peterson OK'D BY G. ROY

Oct 04, 2012

RESUBMIT APPROVED AS NOTED  
 BY C. CARLSON DATE 10/12/12

BILL OF MATERIALS				
QTY	MARK	SHAPE	LENGTH	REMARKS
1	1B1	ORNAMENTAL BRIDGE RAIL		
60	2R1	BRIDGE RAIL STD SECTION		
4	2R2	BRIDGE RAIL END SECTION		
62	3C1	POST CONNECTION STD		
4	3C2	POST CONNECTION END		



STANDARD RAIL SECTION

DRAWING COVERS	
<b>ORNAMENTAL BRIDGE RAIL LAYOUT</b>	
PROJECT	NEWPORT CITY BRO 1449(25)
LOCATION	RAILROAD SQUARE OVER LAKE MEMPHRELAGOO
ENGINEER	STATE OF VERMONT AGENCY OF TRANSPORTATION
CUSTOMER	REED & REED, INC.
<b>MERRIMACK SHEET METAL</b>	
119 HALL STREET CONCORD NH 03301	DRAWN BY: RL
Tel. 603.224.7766 Fax 603.224.7925	CHECKED BY: JD
	JOB NO. #4255
	DWG: F1

REV NO.	DATE	DESCRIPTION
0	4-4-2012	SUBMITTED FOR APPROVAL
HOLES AS NOTED		
MATERIAL: AASHTO M 270 GRADE 250 GALV PAINTED BLACK		