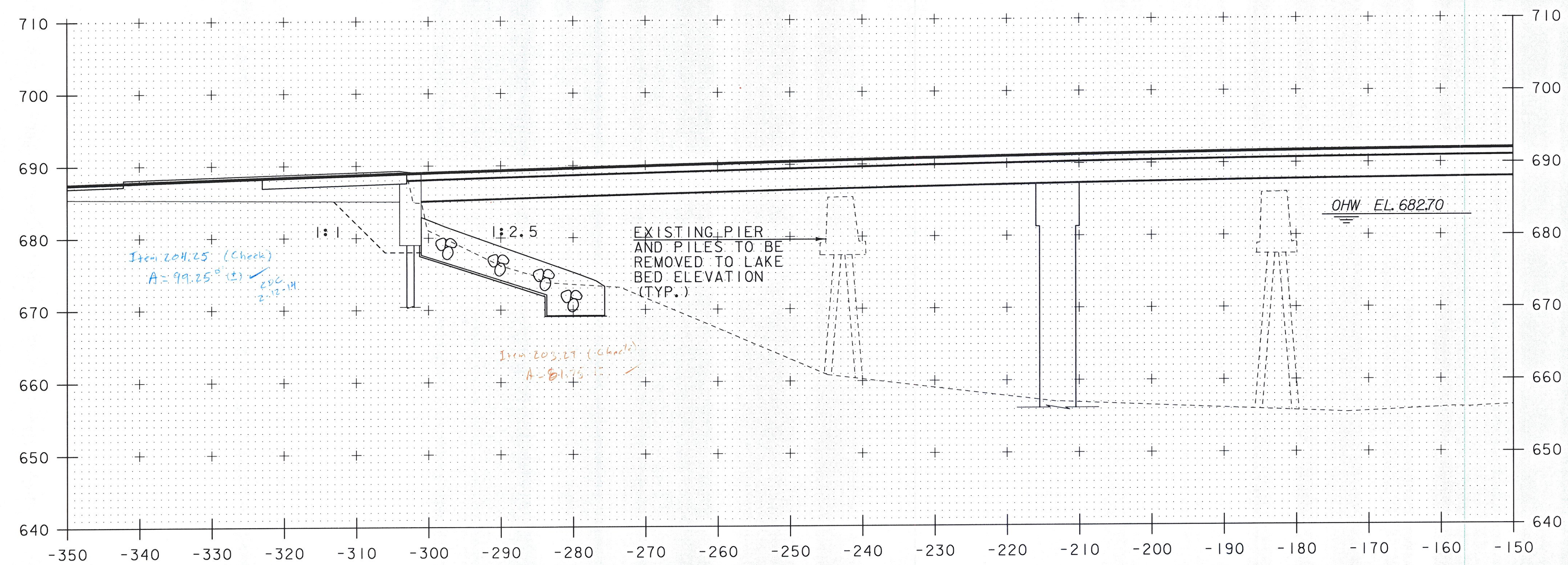


50+70



50+60

STA. 50+55 LT
END GRUBBING MATERIAL

CHANNEL LT. STA. 50+60 TO STA. 50+70

PROJECT NAME: NEWPORT CITY	PLOT DATE: 22-NOV-2011
PROJECT NUMBER: BRO 1449(25)	DRAWN BY: C. MOONEY
FILE NAME: 96J314/STR/96J314xsl.dgn	CHECKED BY: C. CARLSON
PROJECT LEADER: C. CARLSON	SHEET 58 OF 75
DESIGNED BY: D. PETERSON	
ABUTMENT CHANNEL SECTION 2	