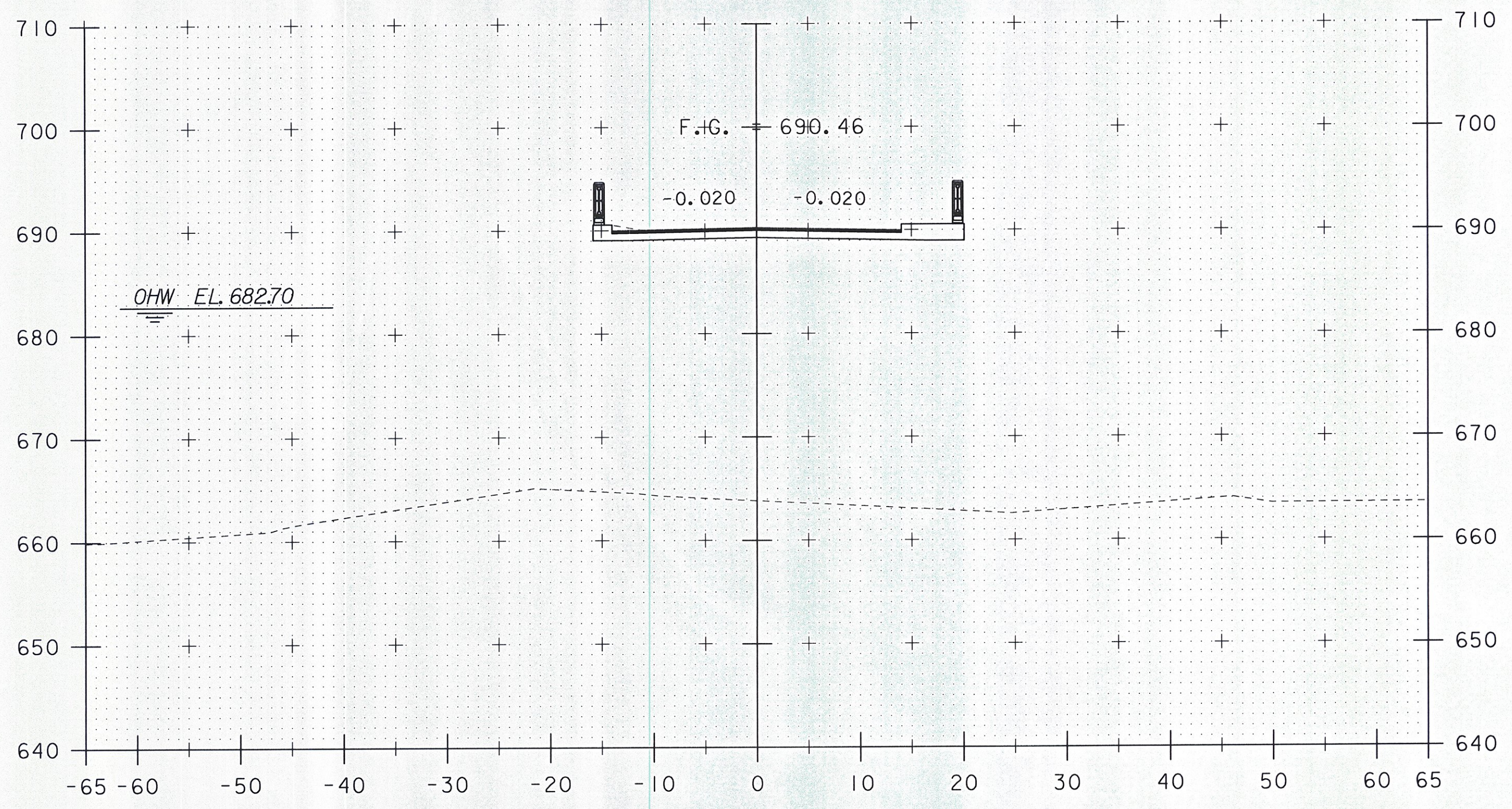
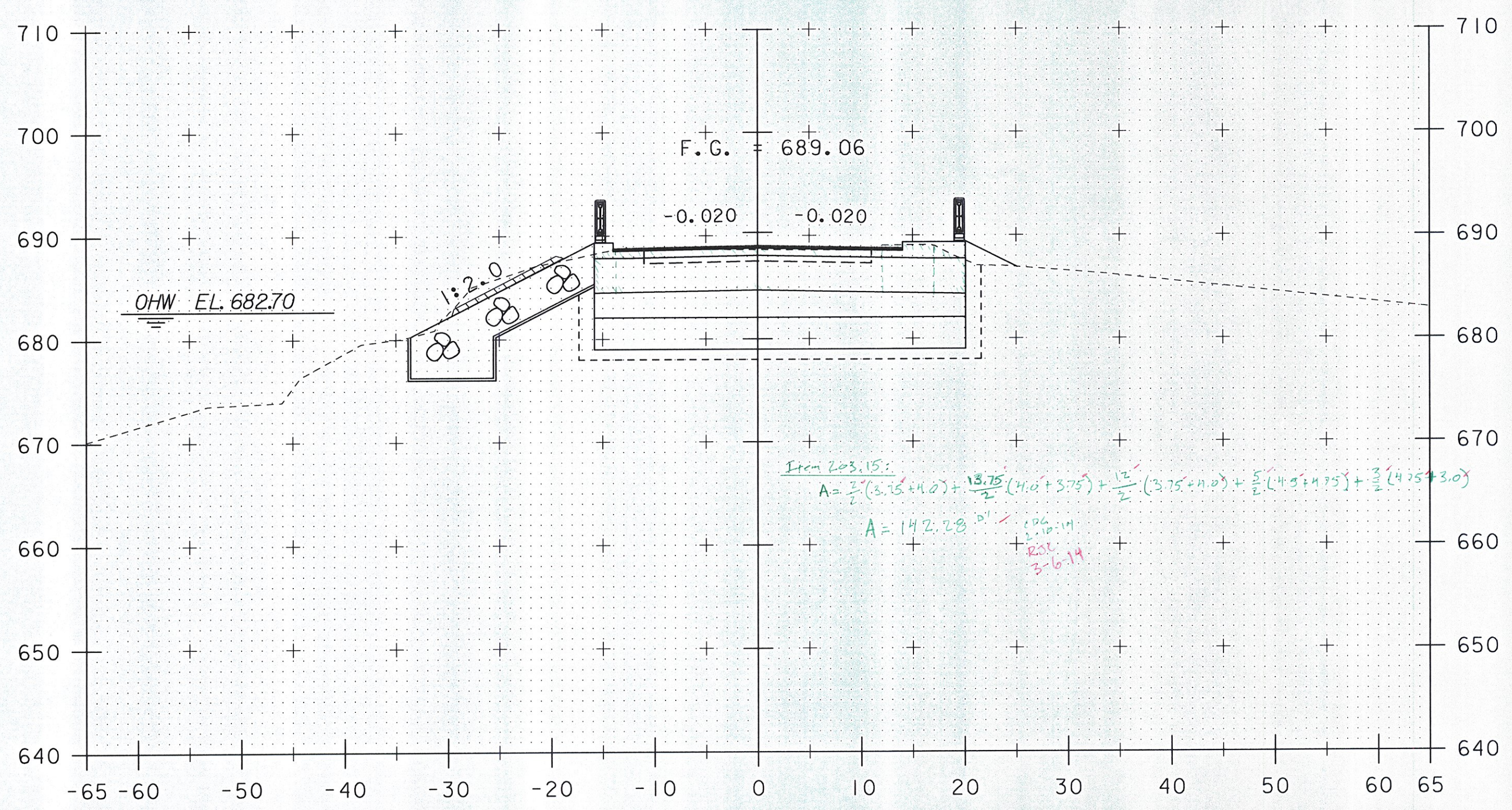


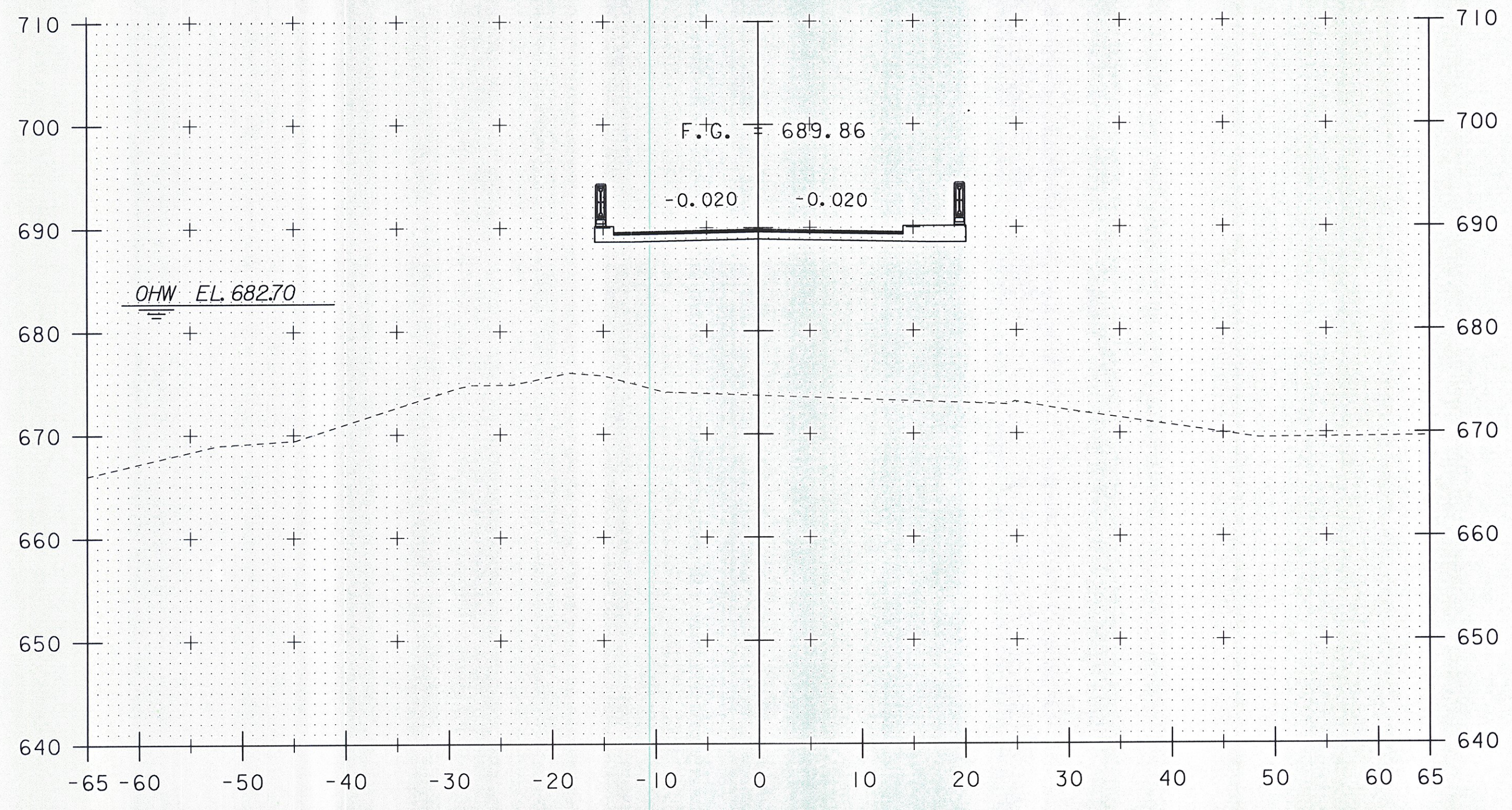
12+00



12+50



11+96 (Same for 11+96.5 - Butt)
 - From 203.15



12+25

STA. 11+97.17
 BEGIN BRIDGE

STA. 11+96 TO STA. 12+50

PROJECT NAME:	NEWPORT CITY	PLOT DATE:	22-NOV-2011
PROJECT NUMBER:	BRO 1449(25)	DRAWN BY:	C. MOONEY
FILE NAME:	96J314/STR/96J314.dgn	DESIGNED BY:	D. PETERSON
PROJECT LEADER:	C. CARLSON	CHECKED BY:	C. CARLSON
MAINLINE SECTION 2		SHEET	50 OF 75