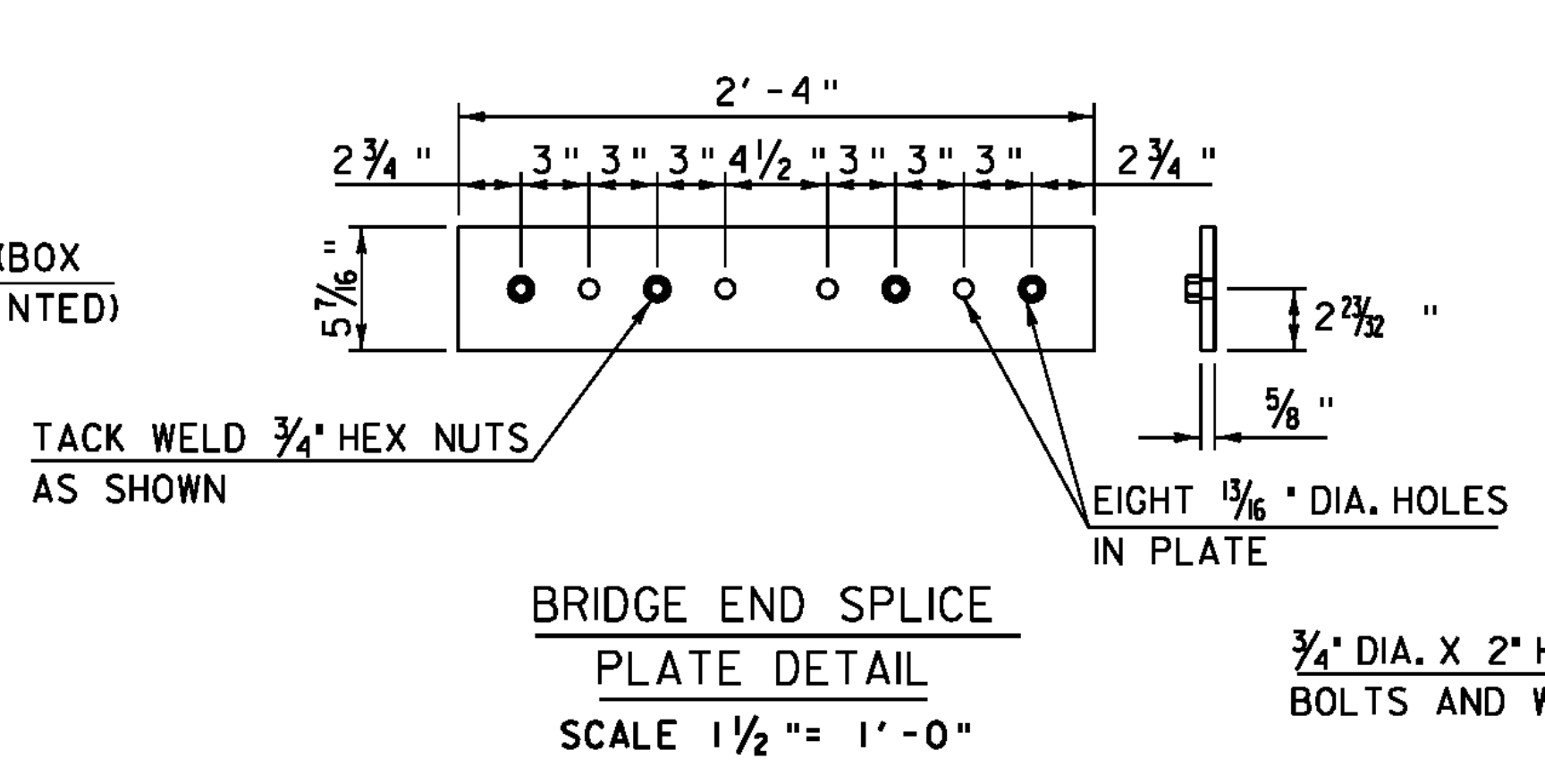
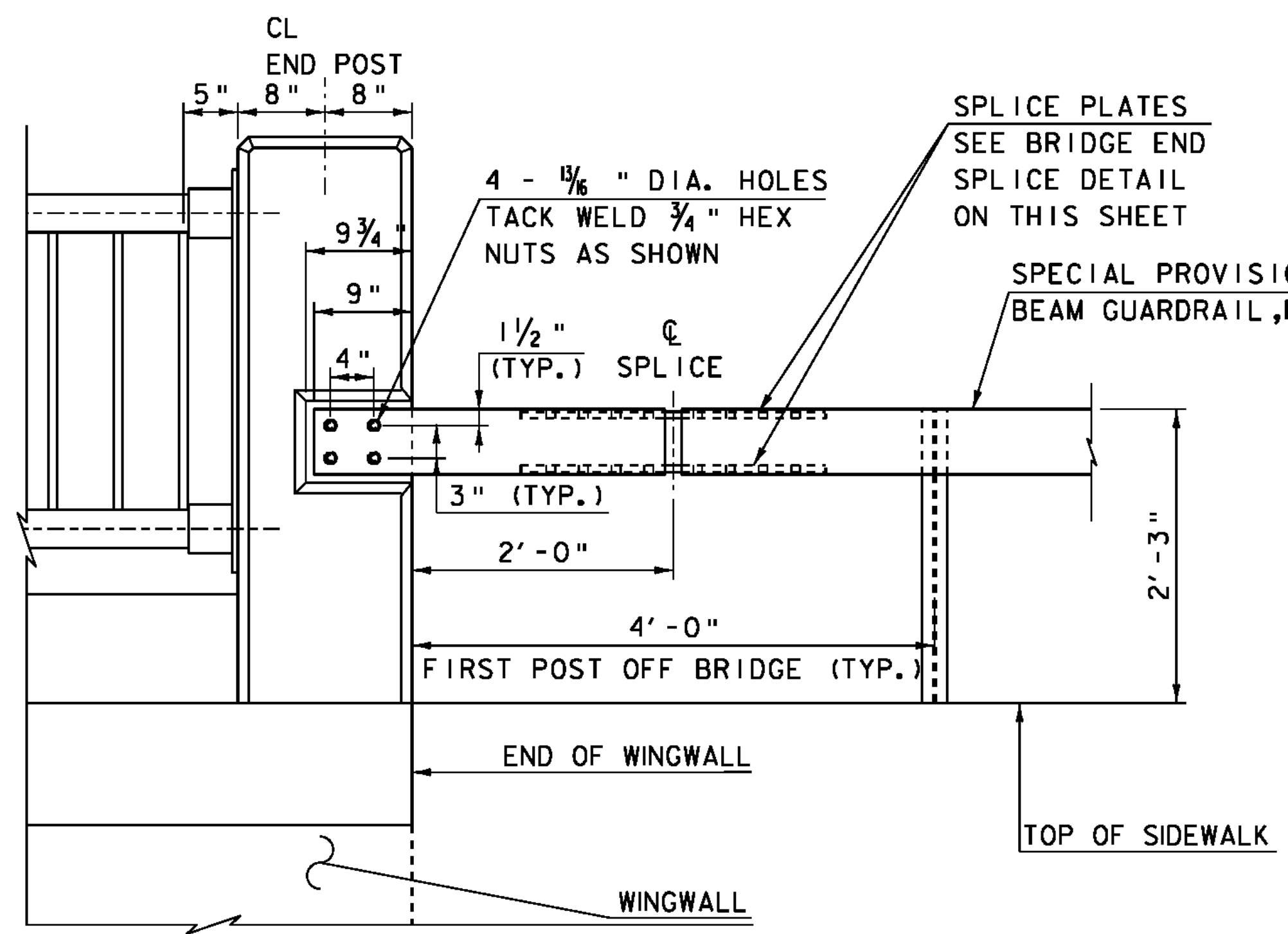
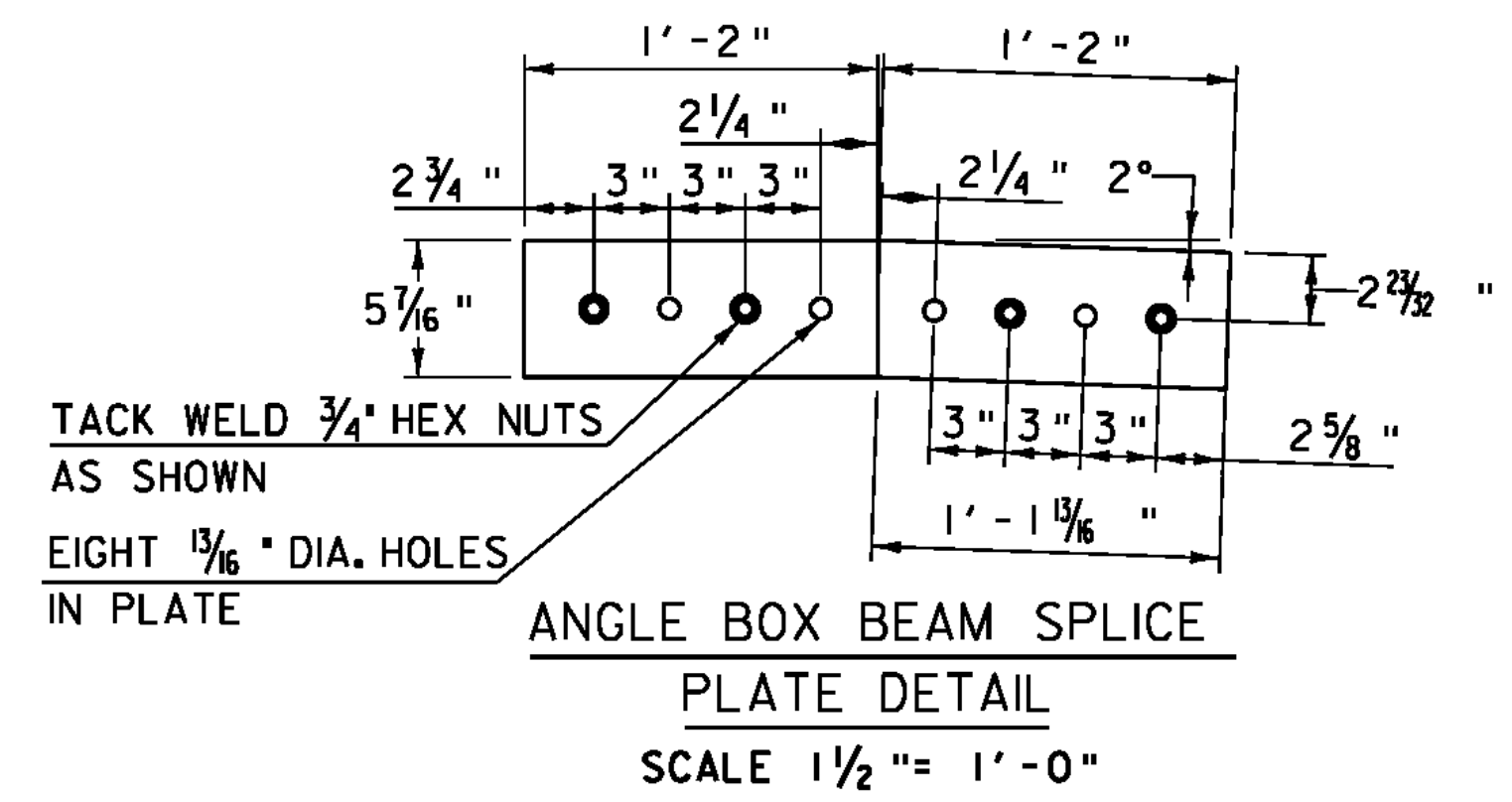


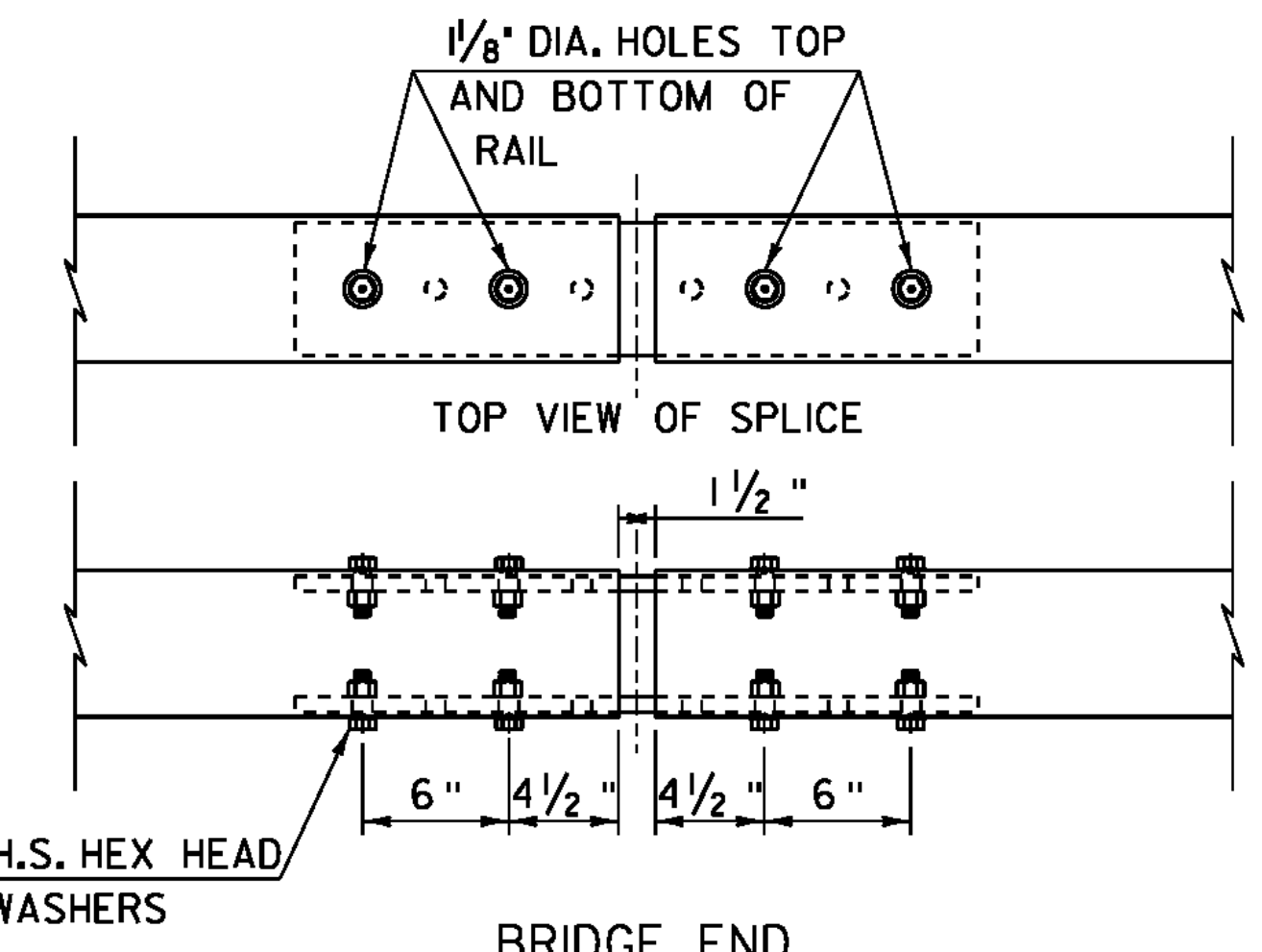
BOX BEAM TO BRIDGE RAIL CONNECTION DETAIL
SCALE 1" = 1'-0"



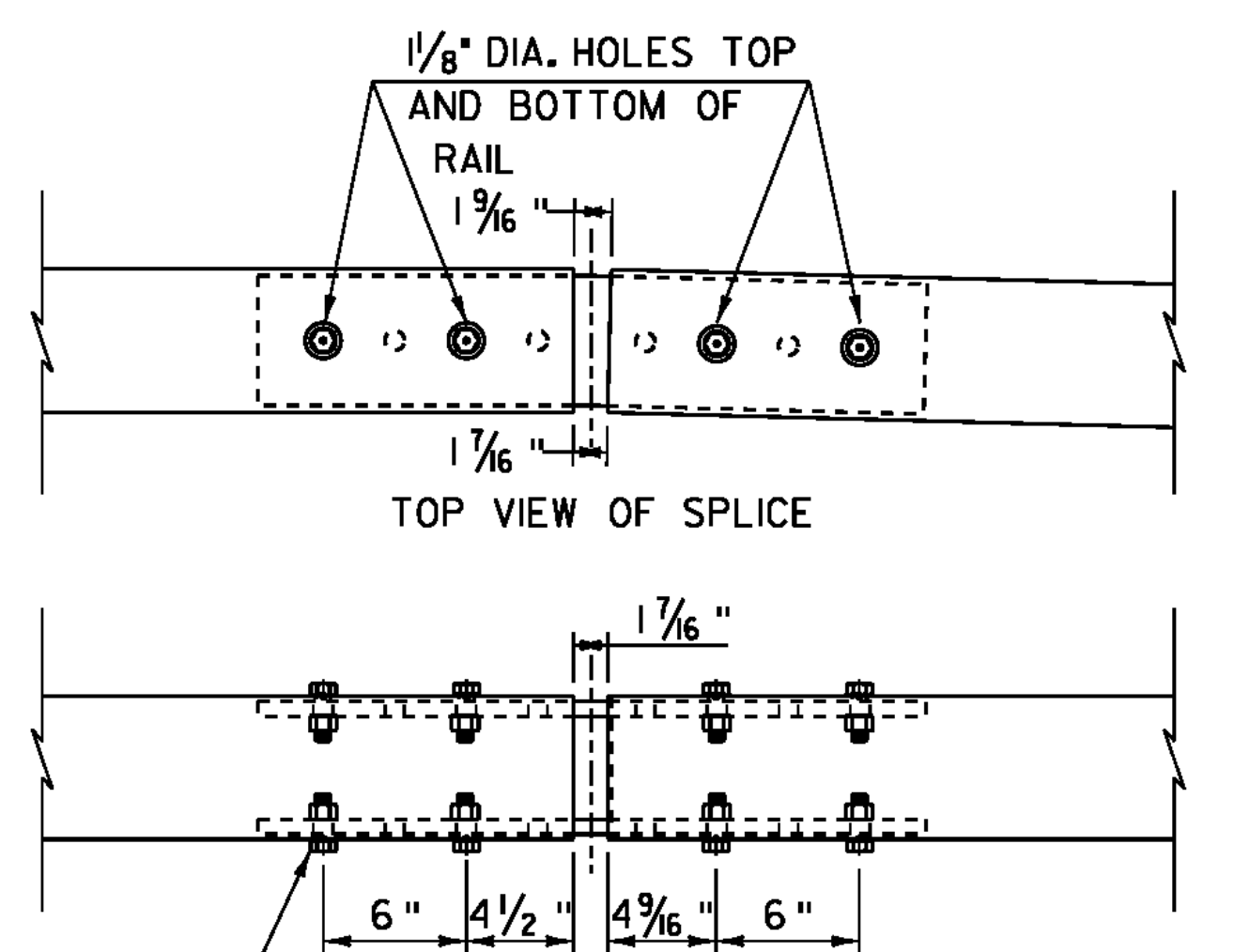
BRIDGE END SPLICE PLATE DETAIL
SCALE 1 1/2" = 1'-0"



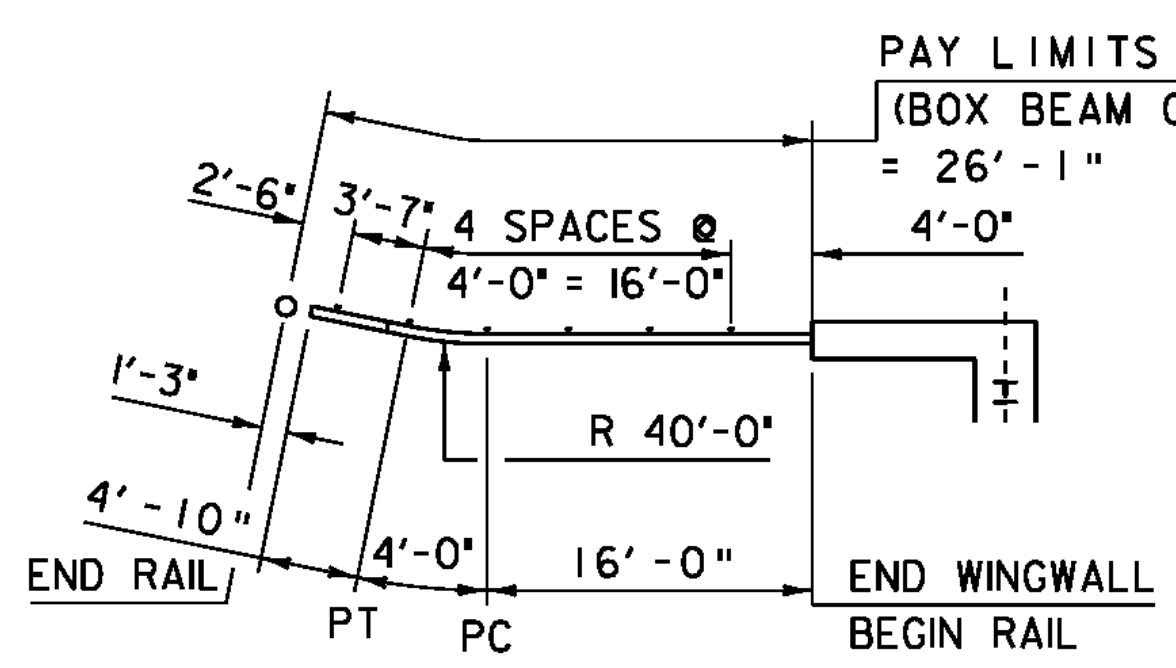
ANGLE BOX BEAM SPLICE PLATE DETAIL
SCALE 1 1/2" = 1'-0"



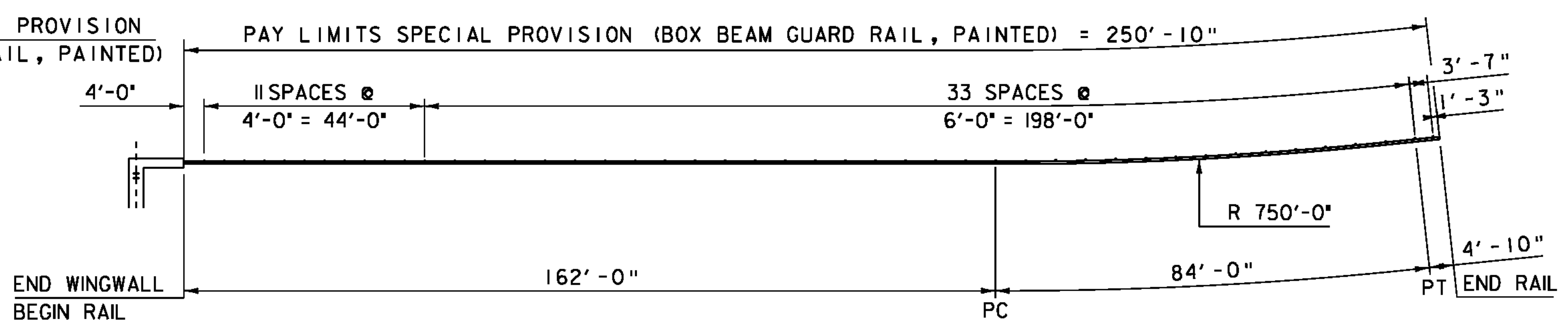
BRIDGE END SPLICE INSTALLATION DETAIL
SCALE 1 1/2" = 1'-0"



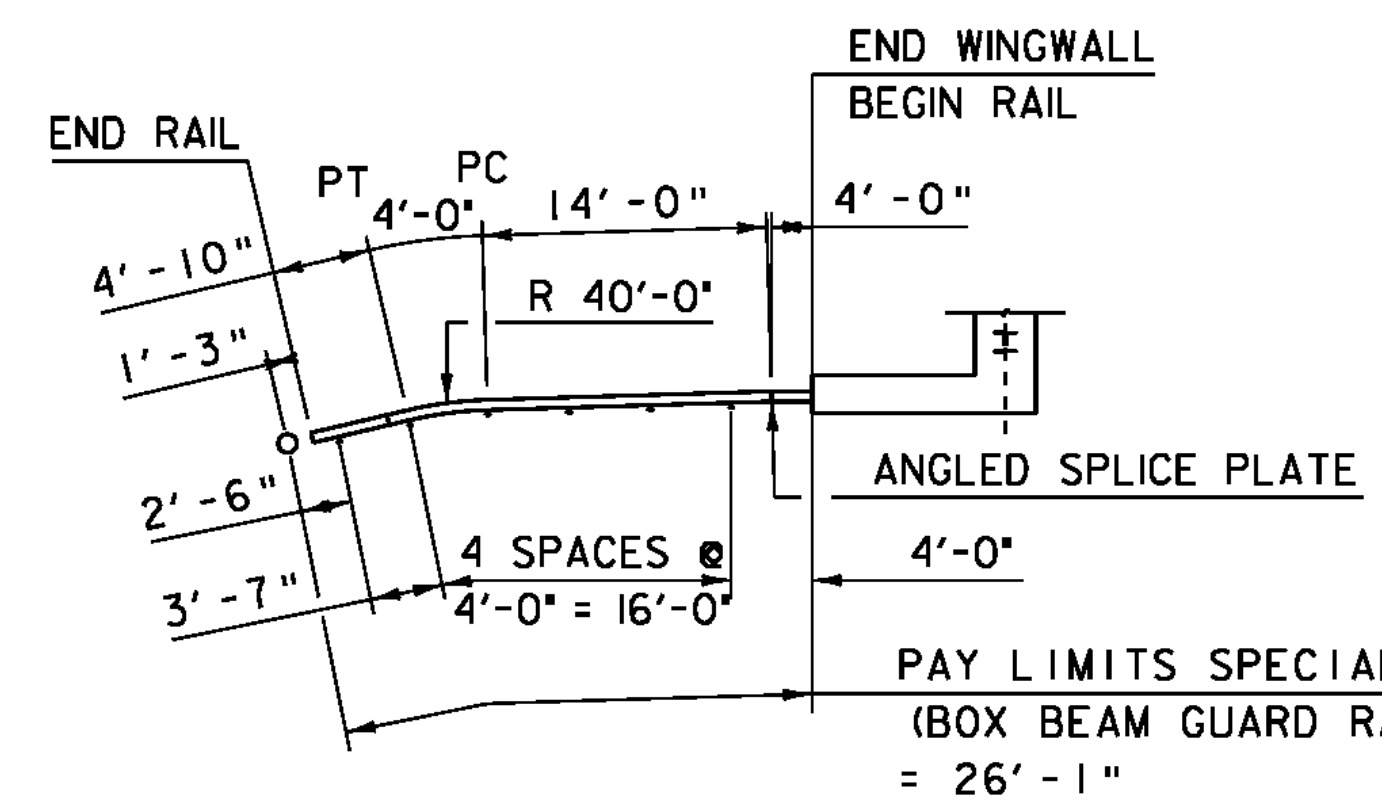
ANGLED BOX BEAM SPLICE INSTALLATION DETAIL
SCALE 1 1/2" = 1'-0"



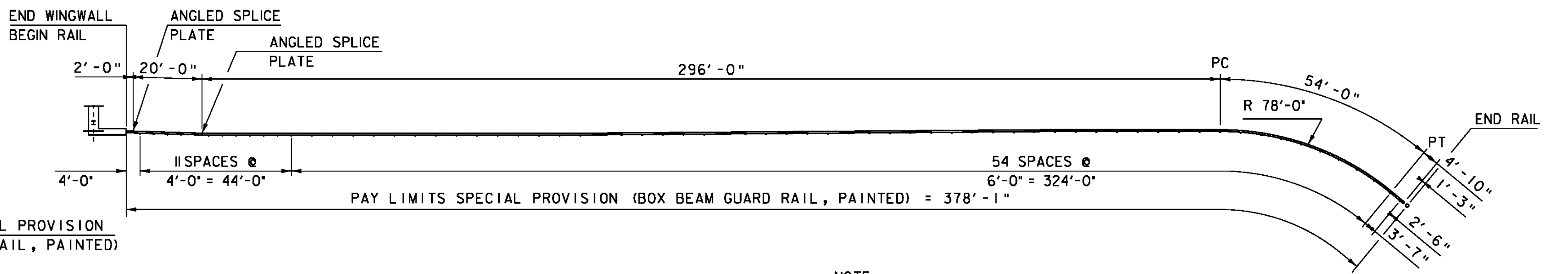
WINGWALL 1 APPROACH RAIL
SCALE 1" = 10'-0"



WINGWALL 3 APPROACH RAIL
SCALE 1" = 20'-0"



WINGWALL 2 APPROACH RAIL
SCALE 1" = 10'-0"



WINGWALL 4 APPROACH RAIL
SCALE 1" = 20'-0"

NOTE:
SPECIAL PROVISION (BOX BEAM GUARDRAIL, PAINTED)
SHALL BE PAINTED BLACK (CHIP COLOR #27038)

NOTE:
THE BRIDGE END SPLICE DETAILS APPLY TO THE FIRST SPLICE OFF THE BRIDGE ON THE LEFT SIDE (WW1 AND WW3). THE ANGLED SPLICE DETAIL SHALL BE USED AS NOTED ON THE APPROACH RAIL LAYOUT.

PROJECT NAME:	NEWPORT CITY
PROJECT NUMBER:	BRO 1449(25)
FILE NAME:	s96j3lapp rail.dgn
PROJECT LEADER:	C. CARLSON
DESIGNED BY:	D. PETERSON
BOX BEAM GUARDRAIL LAYOUT	
PLOT DATE:	02-DEC-2011
DRAWN BY:	C. MOONEY
CHECKED BY:	D. PETERSON
SHEET	46 OF 75