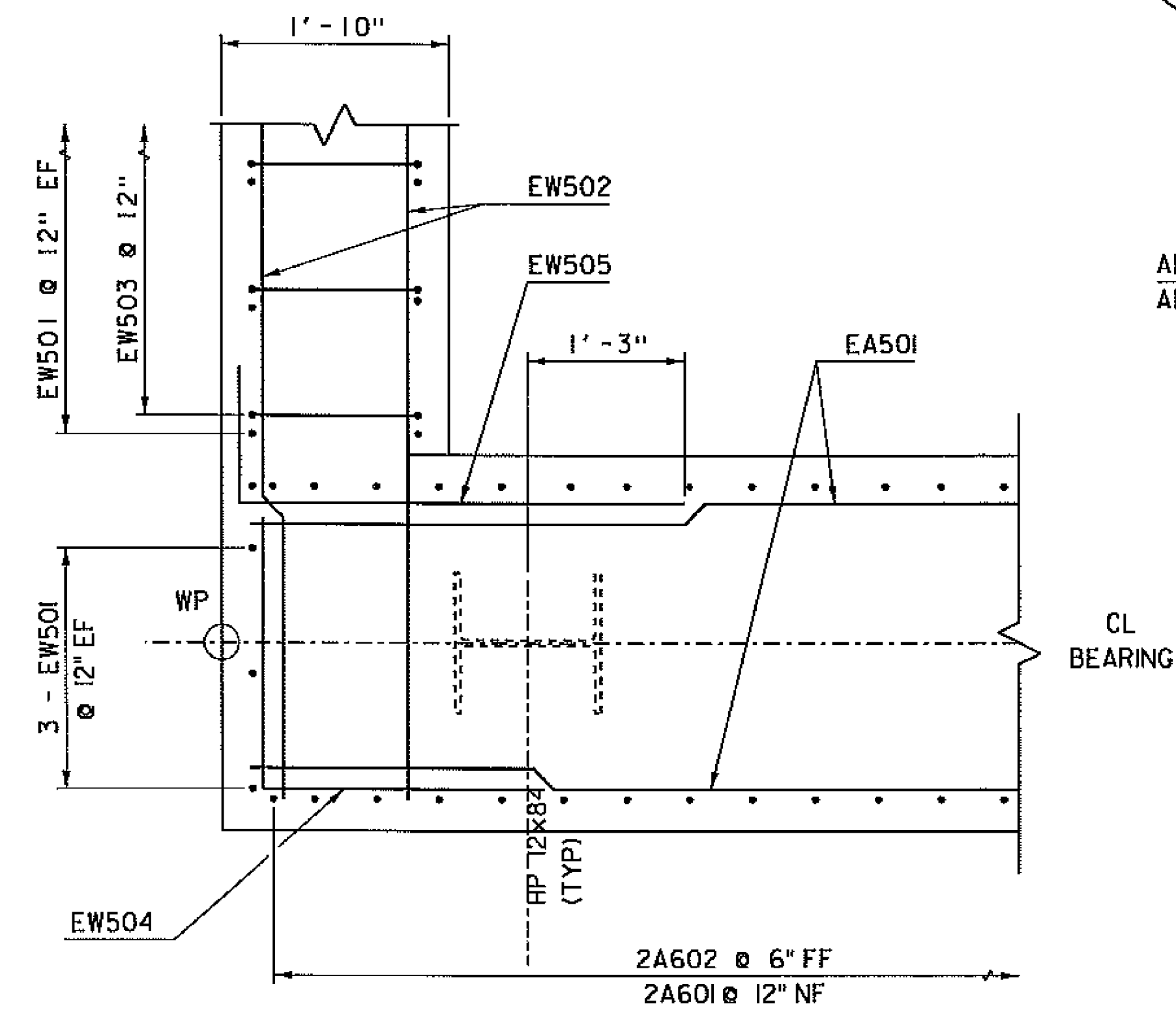


WINGWALLS 1&2 ELEV 688.55
WINGWALLS 3&4 ELEV 690.66

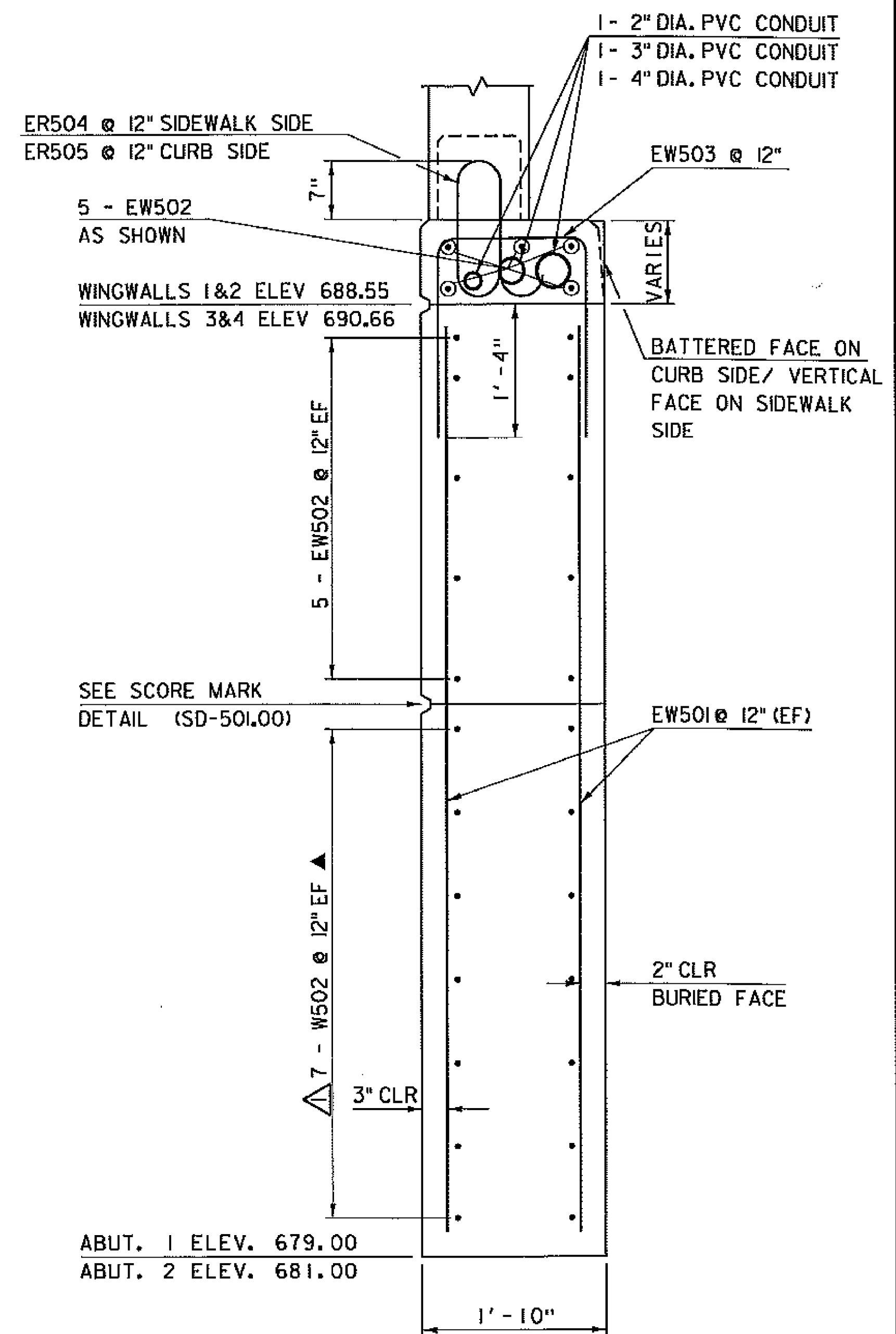


WINGWALL CORNER DETAIL
SCALE 1"=1'-0"

WINGWALLS TYPICAL ELEVATION
SCALE 1"=1'-0"
• SIDEWALK TAPER TO MATCH CURB TAPER
(WINGWALLS 1 & 2 ONLY)

ABUT. 1 ELEV. 679.00
ABUT. 2 ELEV. 681.00

REV.	DESCRIPTION	DATE	REVISION BY
▲	UPDATED REINFORCING SIZE/QUANTITY	3/8/2012	DRP
▲	UPDATED DIMENSION NOTE	8/17/2012	DRP



WINGWALL TYPICAL SECTION
SCALE 1"=1'-0"

NOTE:
NF = NEAR FACE
FF = FAR FACE
EF = EACH FACE
▲ = CUT TO FIT IN FIELD
3" CLEAR, UNLESS OTHERWISE SPECIFIED ON THE PLANS.
2'-2" BAR LAP UNLESS OTHERWISE SPECIFIED ON THE PLANS.

PROJECT NAME: NEWPORT CITY	PLOT DATE: 17-AUG-2012
PROJECT NUMBER: BRO 1449(25)	DRAWN BY: C. MOONEY
FILE NAME: s96j234sub.dgn	CHECKED BY: D. PETERSON
PROJECT LEADER: C. CARLSON	SHEET 44 OF 75
DESIGNED BY: D. PETERSON	
WINGWALL DETAIL SHEET	