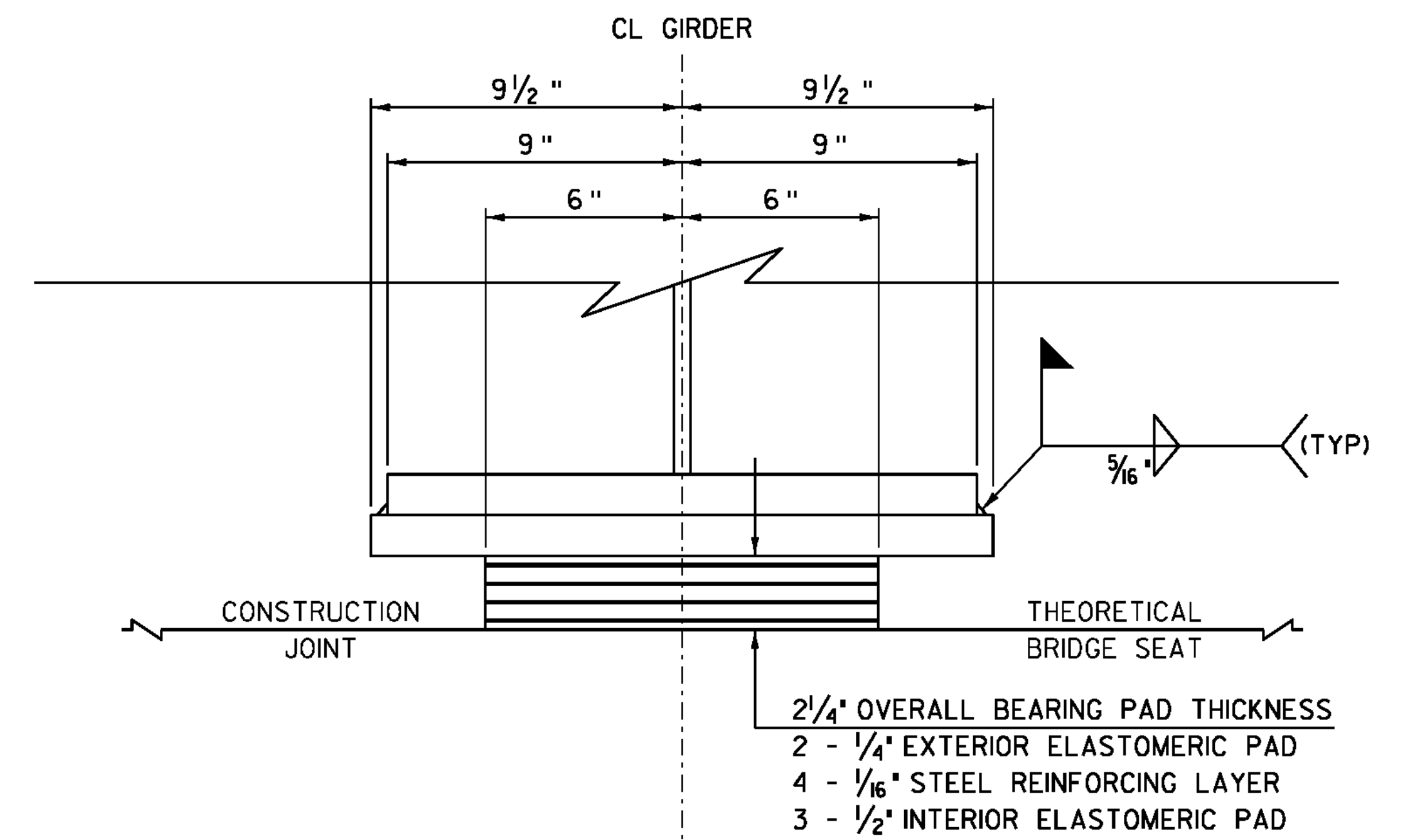


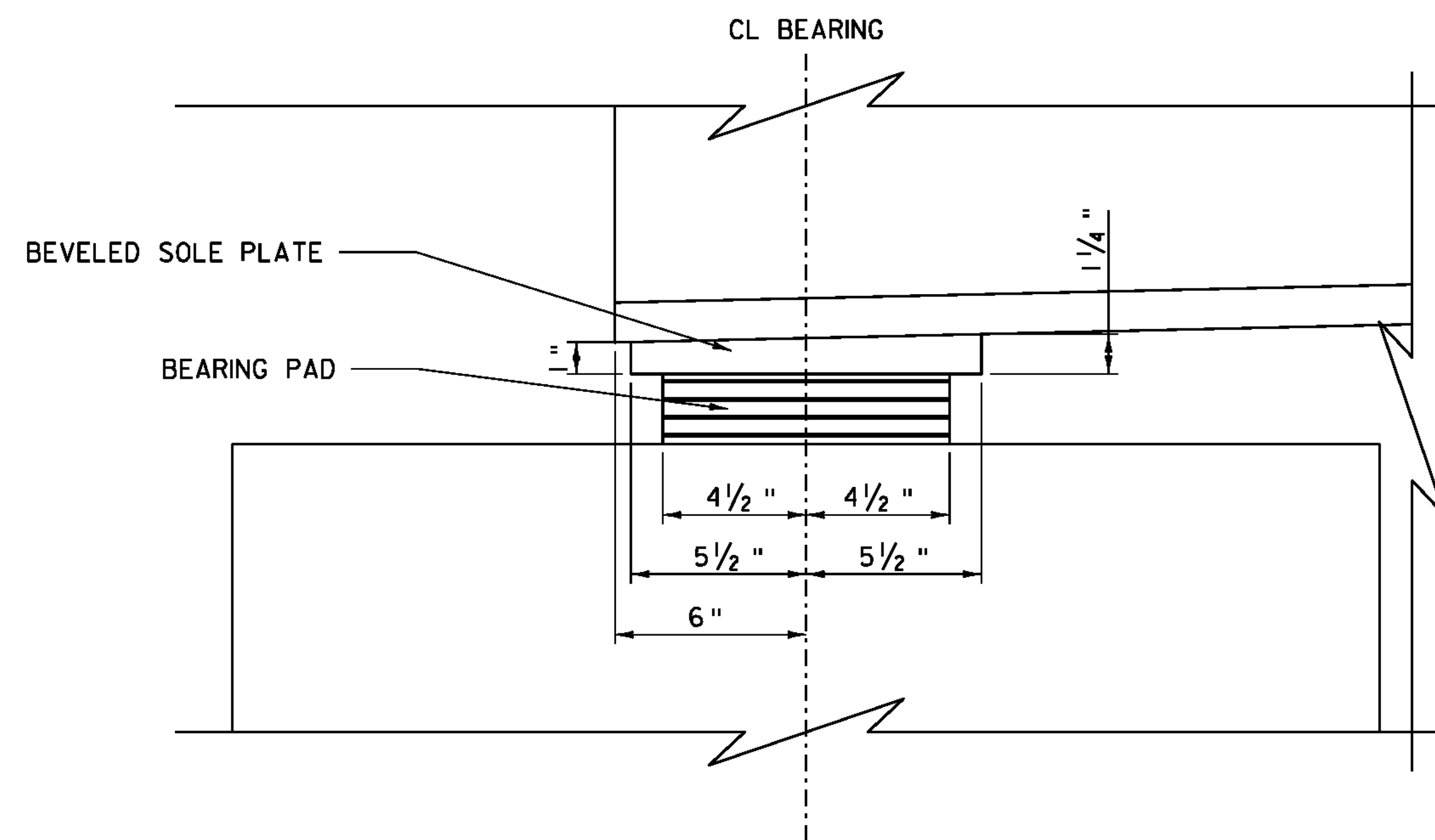
BEARING PLAN

SCALE: 3" = 1'-0"



BEARING SECTION

SCALE: 3" = 1'-0"



BEARING ELEVATION

SCALE: 3" = 1'-0"

NOTE:

1. BEARING DETAILED AS PRIOR TO PLACEMENT OF ABUTMENT CAP.
2. SOLE PLATE BEVEL SHOULD BE ORIENTED SO THAT THE BEVEL MATCHES THE CAMBER OF THE GIRDER.

PROJECT NAME: NEWPORT CITY
PROJECT NUMBER: BRO 1449(25)

FILE NAME: S96J314abutbearing.dgn	PLOT DATE: 22-NOV-2011
PROJECT LEADER: C. CARLSON	DRAWN BY: I. DEGUTIS
DESIGNED BY: D. PETERSON	CHECKED BY: D. PETERSON
INTEGRAL ABUTMENT BEARING DETAILS	SHEET 38 OF 75