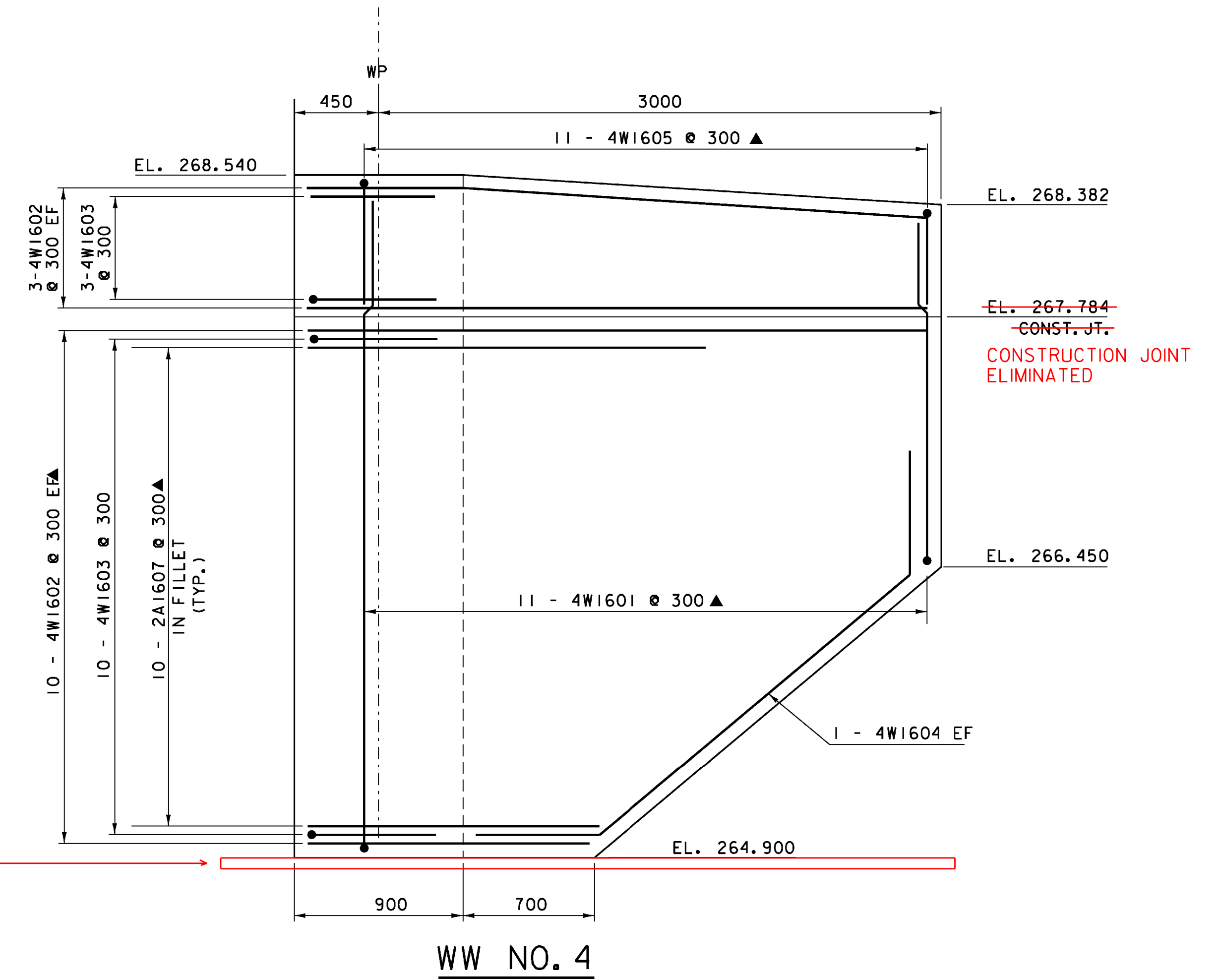
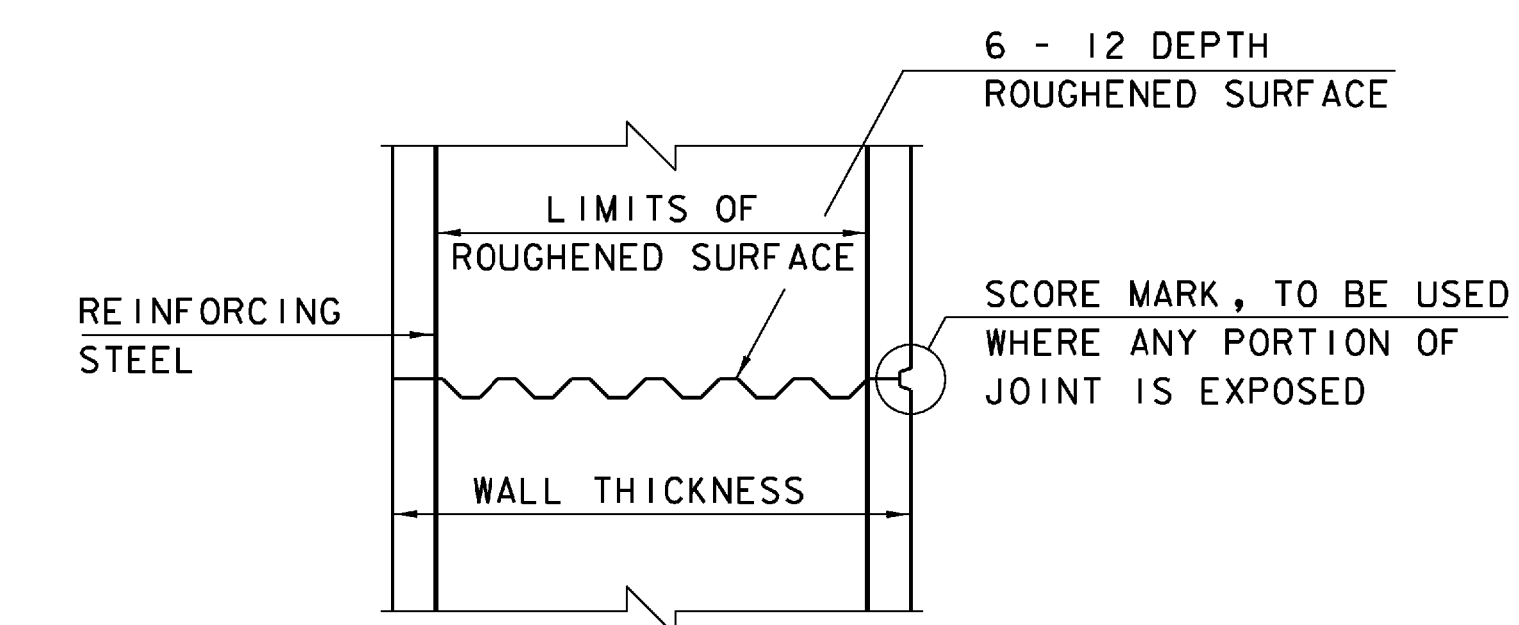


WW NO. 3

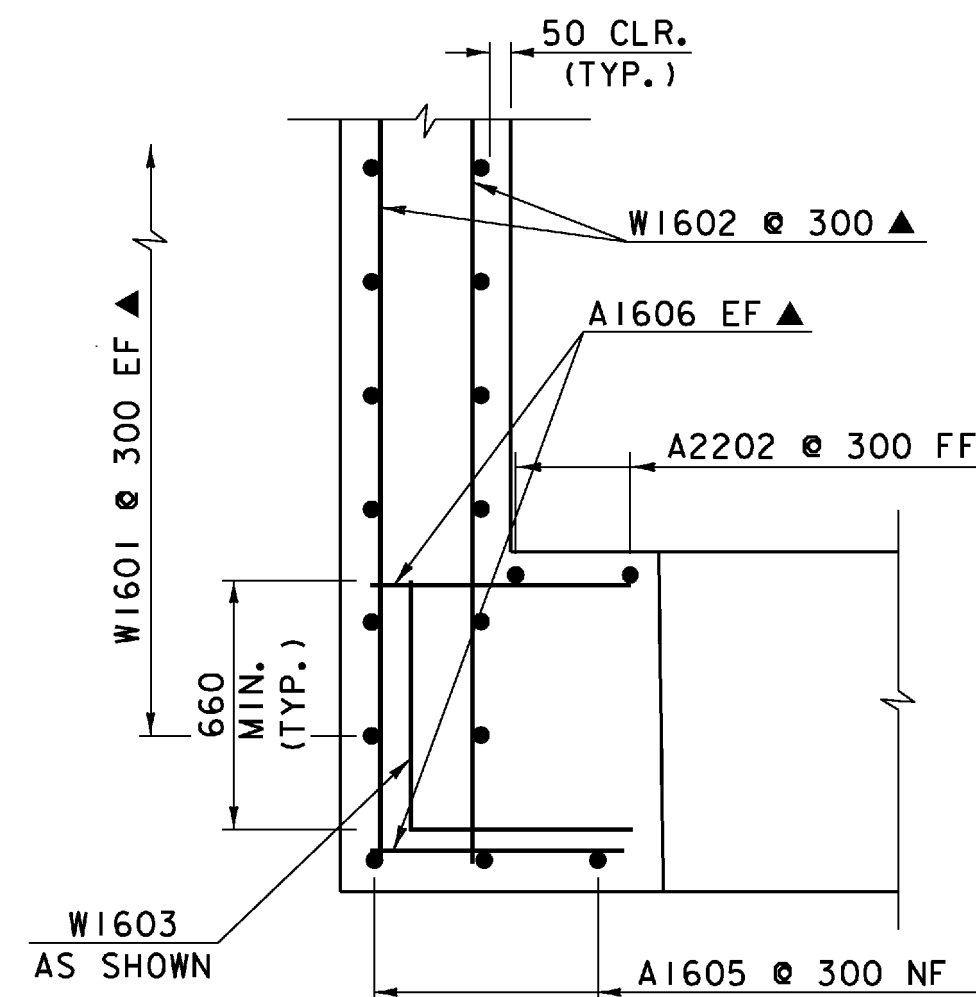


WW NO. 4

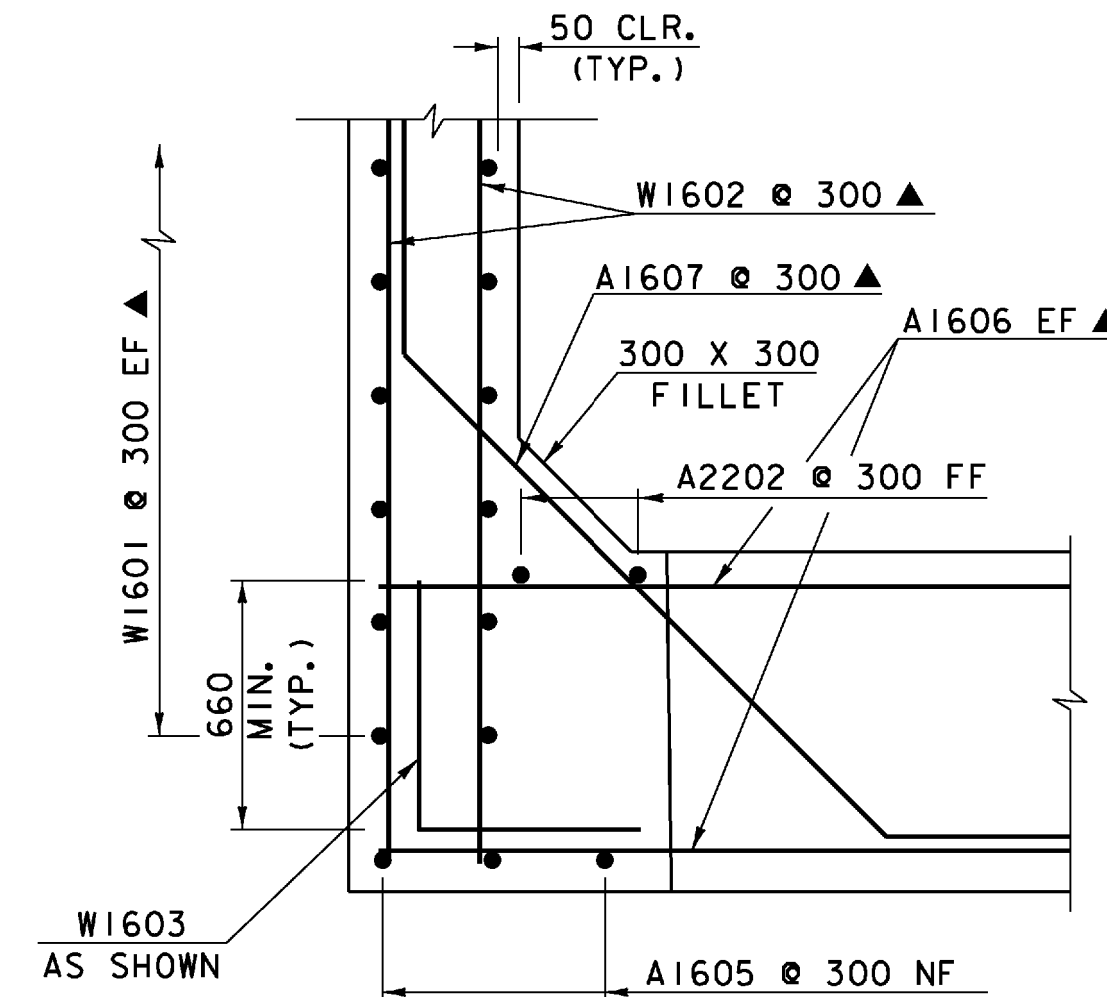


TYPICAL HORIZONTAL CONSTRUCTION JOINT
(NOT TO SCALE)

1. THE SURFACE OF THE CONCRETE CONSTRUCTION JOINTS SHALL BE CLEANED AND FREE OF LAITANCE.
2. IMMEDIATELY BEFORE NEW CONCRETE IS PLACED, ALL CONSTRUCTION JOINTS SHALL BE WETTED AND STANDING WATER REMOVED.

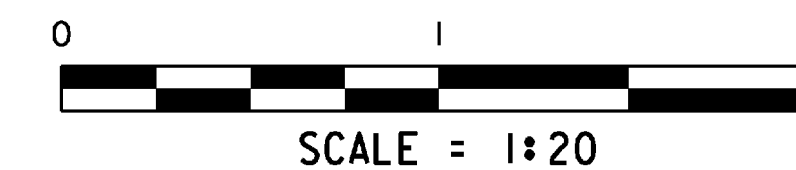


WINGWALL CORNER ABOVE BRIDGE SEAT REINFORCING DETAIL



WINGWALL CORNER BELOW BRIDGE SEAT REINFORCING DETAIL

NOTE:
 NF - NEAR FACE
 FF - FAR FACE
 EF - EACH FACE
 ▲ - CUT TO FIT IN FIELD
 80 CLR. UNLESS OTHERWISE SPECIFIED ON THE PLANS.



WINGWALLS 3 & 4 ELEVATIONS

PROJECT NAME: CRAFTSBURY	PLOT DATE: 20-MAY-2009
PROJECT NUMBER: BRO 1449(24)	DRAWN BY: L. BULLOCK
FILE NAME: /96J310/str/sj310sub.dgn	CHECKED BY: C. CARLSON
PROJECT MANAGER: RR, WHITCOMB	DESIGNED BY: W. LAMMER
DESIGNED BY: W. LAMMER	SHEET 27 OF 47
sj310ww2.1	