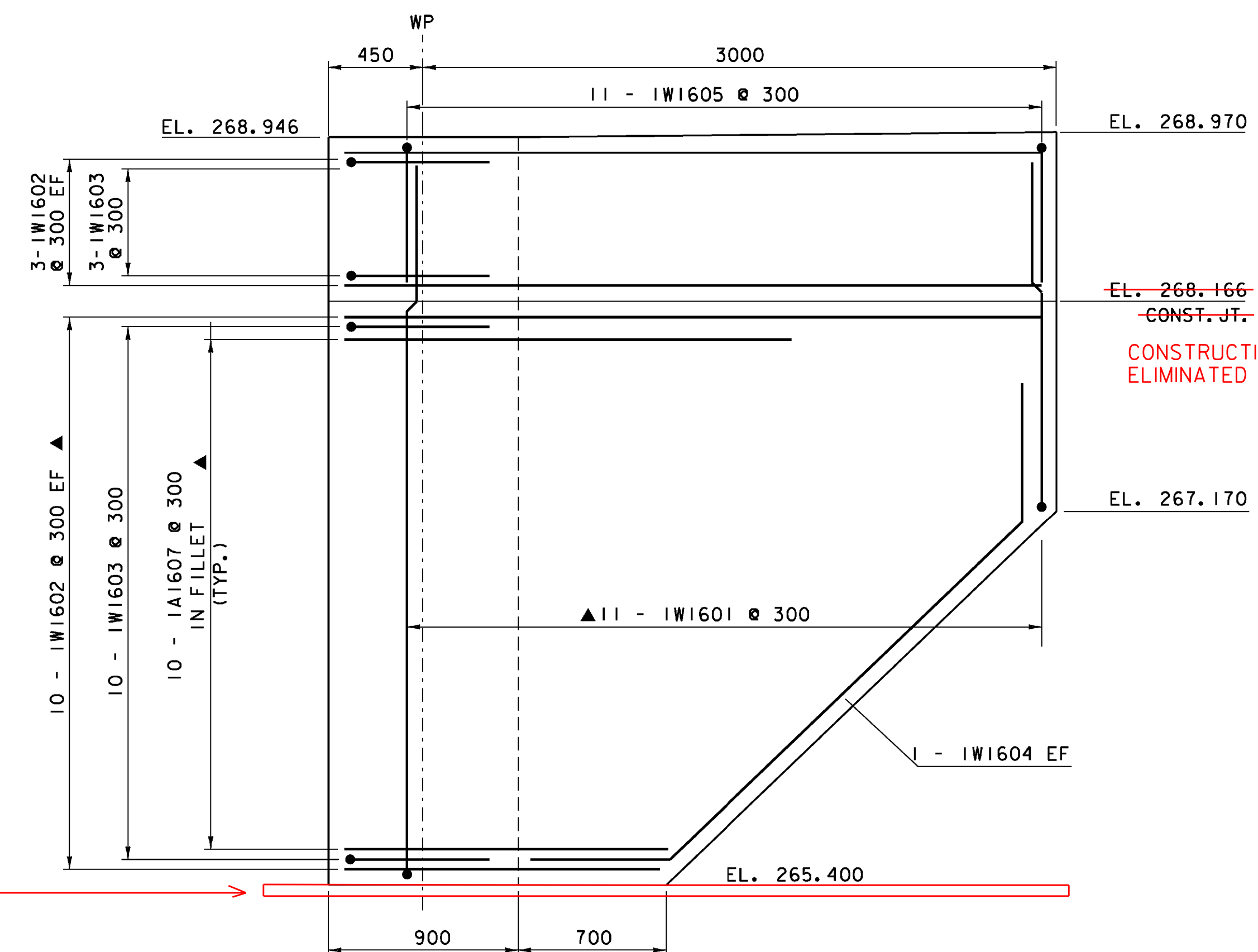
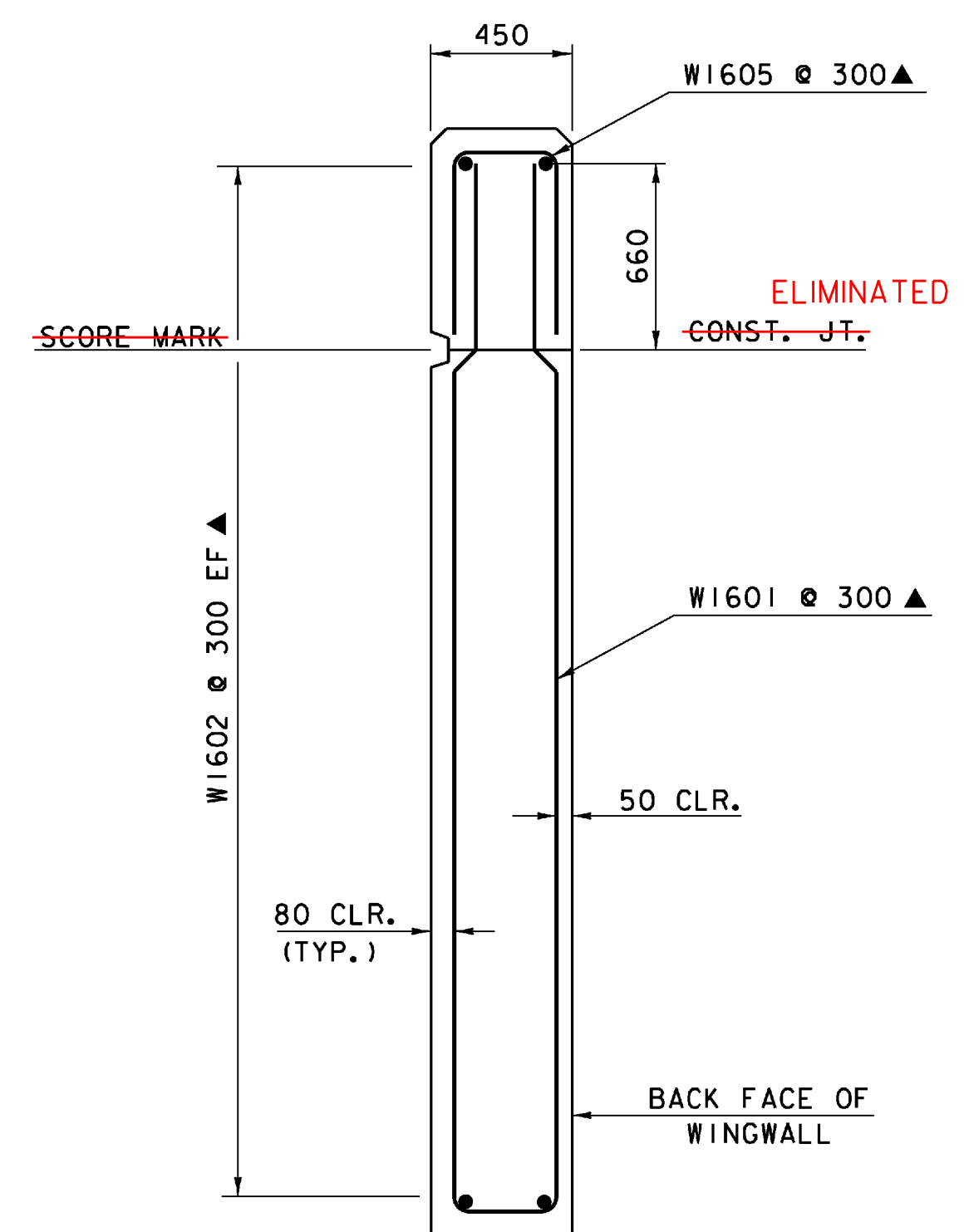


WW NO. 2

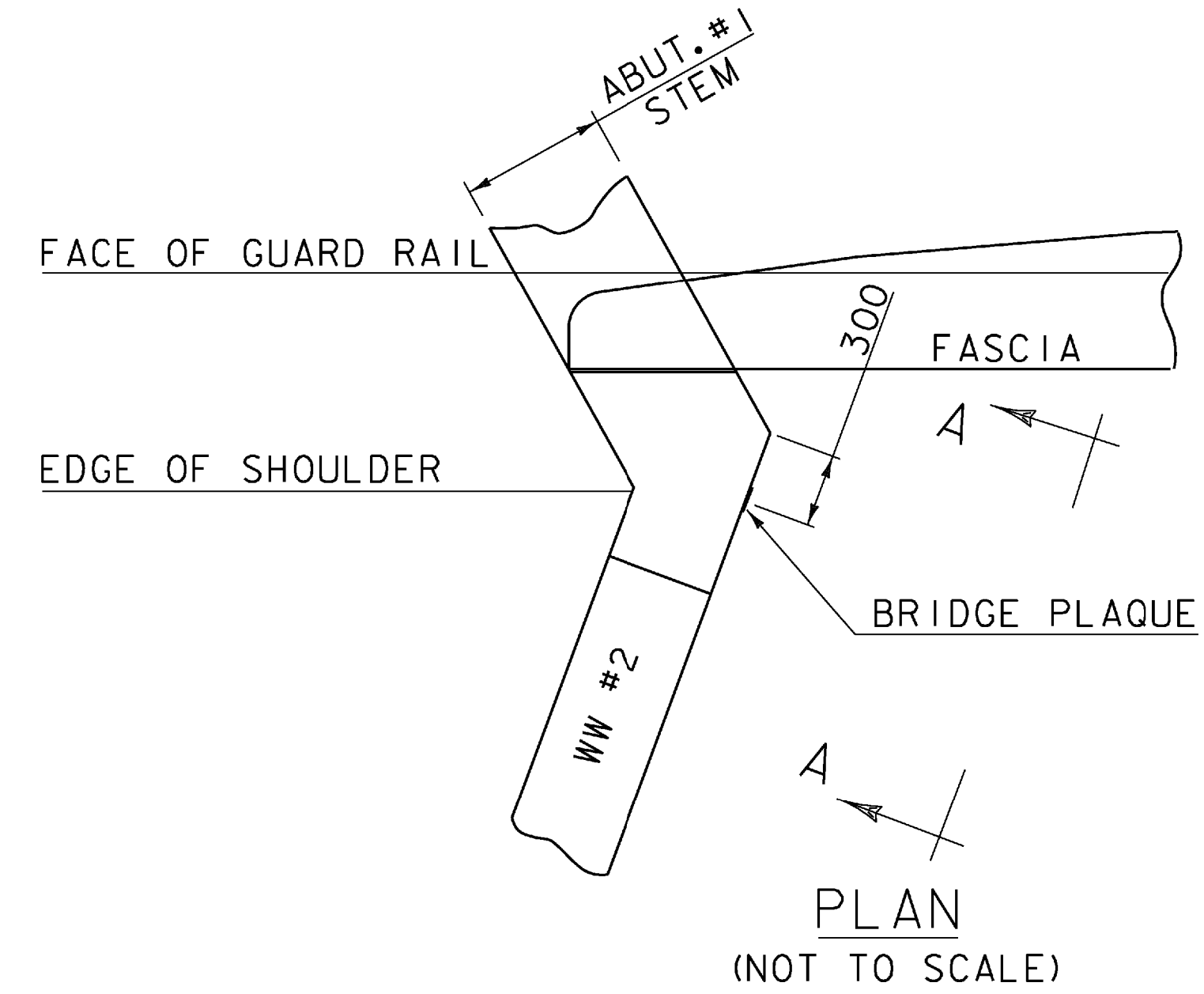


WW NO. 1

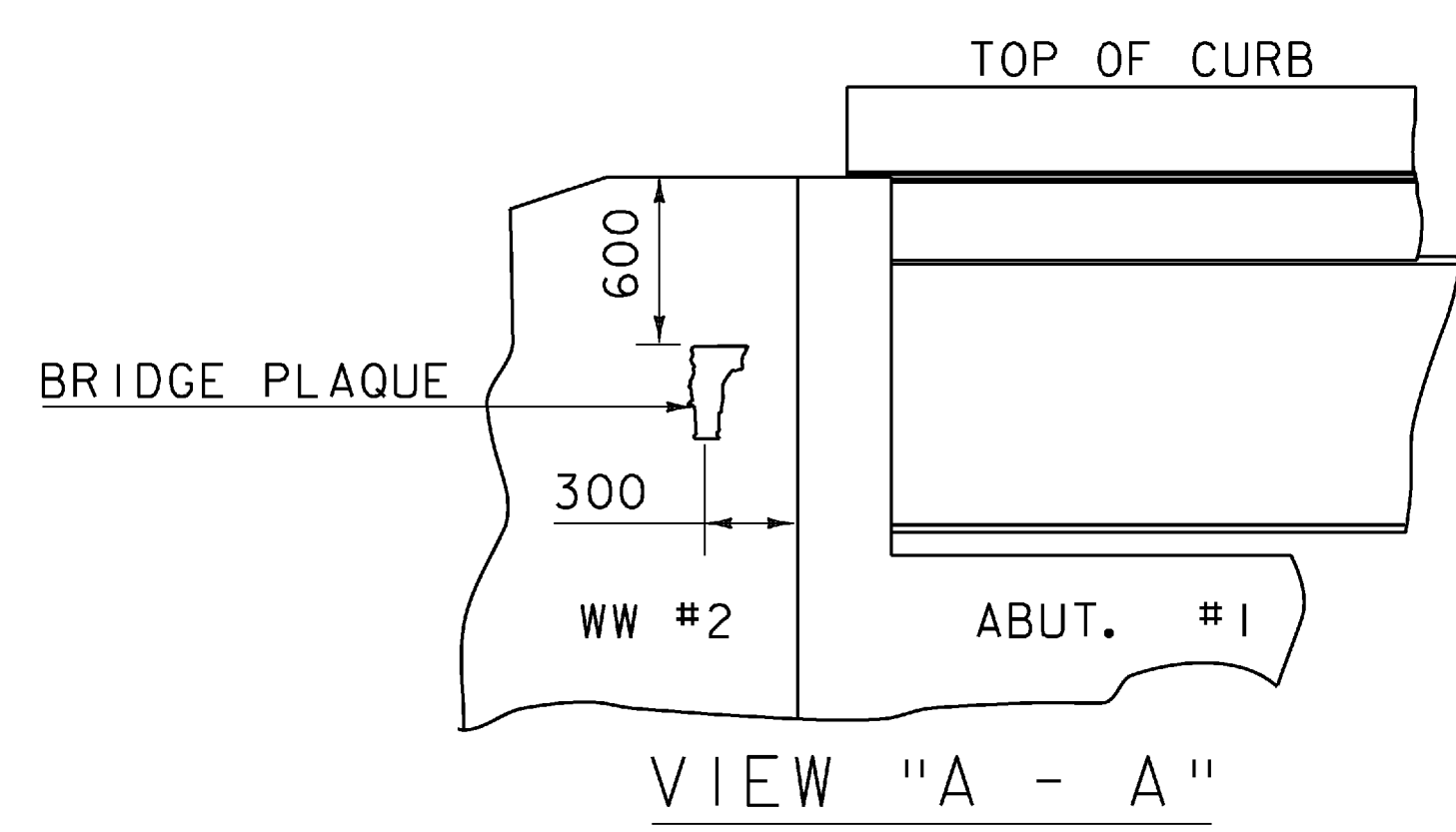
SEE NOTE ON SHEET #7



WINGWALL TYPICAL



PLAN (NOT TO SCALE)



BRIDGE PLAQUE (NOT TO SCALE)

THE BRIDGE PLAQUE WILL BE SUPPLIED BY THE AGENCY OF TRANSPORTATION AND SHALL BE INSTALLED BY THE CONTRACTOR AT ABUTMENT #1 ON THE RIGHT SIDE AS SHOWN OR AS DIRECTED BY THE ENGINEER.

PAYMENT FOR INSTALLATION OF THE BRIDGE PLAQUE SHALL BE INCIDENTAL TO THE ADJACENT CONCRETE.

NOTE:
 NF - NEAR FACE
 FF - FAR FACE
 EF - EACH FACE
 ▲ - CUT TO FIT IN FIELD
 80 CLR. UNLESS OTHERWISE SPECIFIED ON THE PLANS.



WINGWALLS 1 & 2 ELEVATIONS

PROJECT NAME: CRAFTSBURY	PLOT DATE: 20-MAY-2009
PROJECT NUMBER: BRO 1449(24)	DRAWN BY: L. BULLOCK
FILE NAME: /96J310/str/sj310sub.dgn	CHECKED BY: C. CARLSON
PROJECT MANAGER: R. WHITCOMB	SHEET 26 OF 47
DESIGNED BY: W. LAMMER	