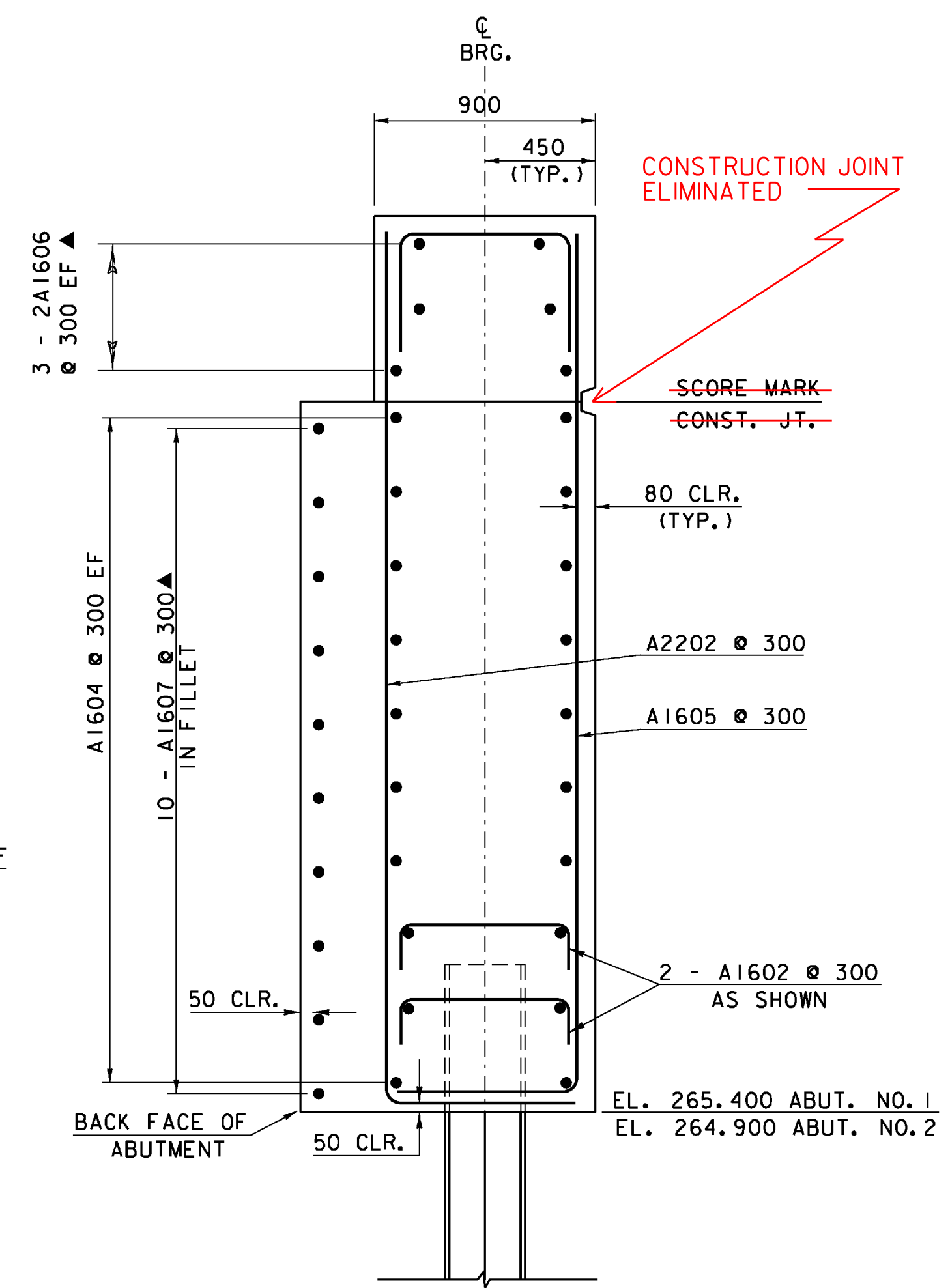
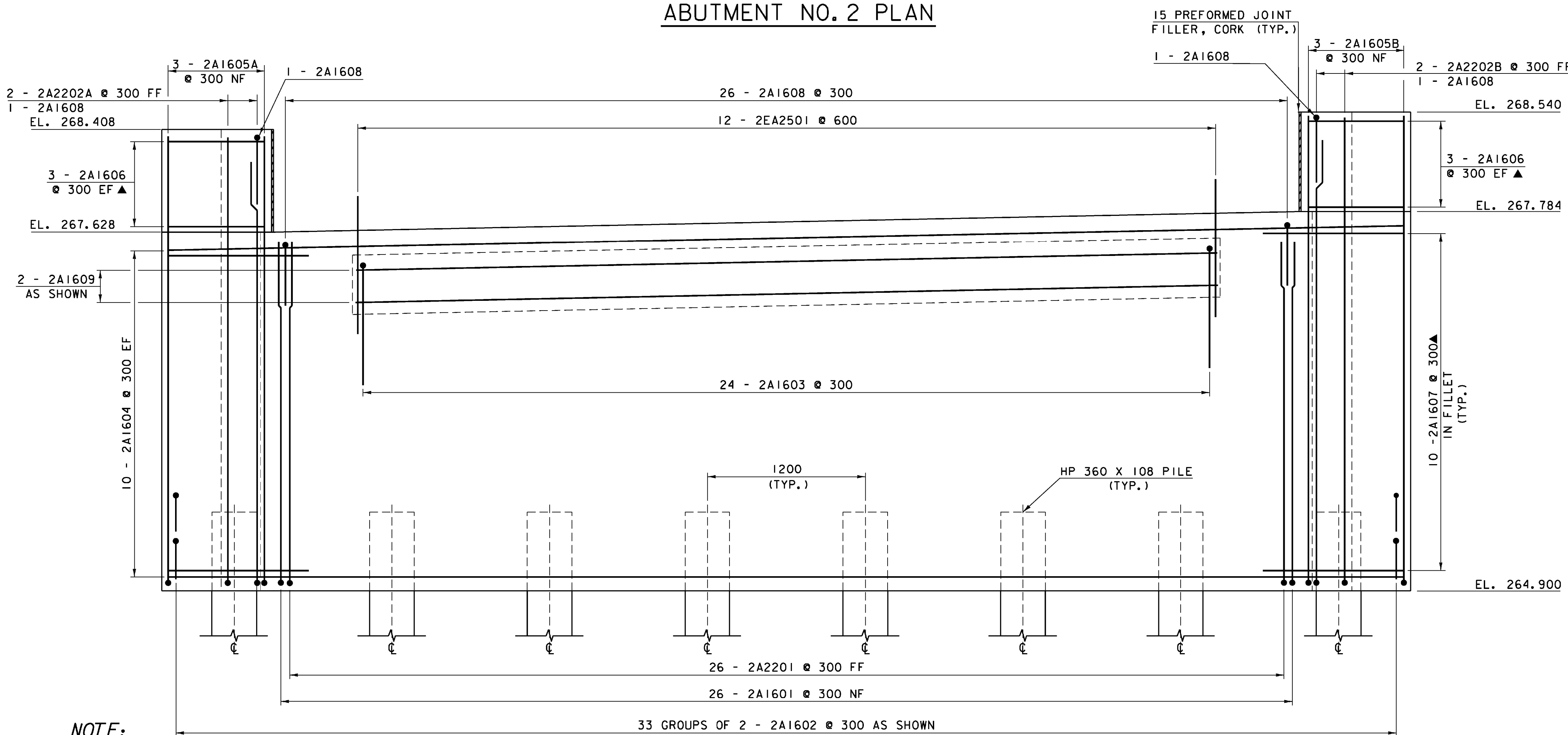


ABUTMENT NO. 2 PLAN



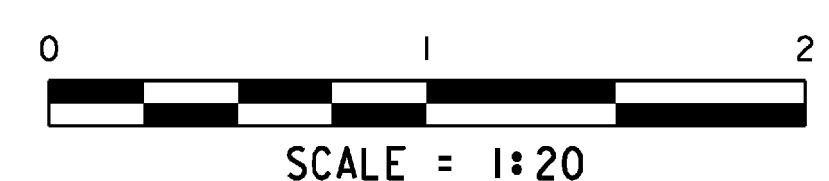
ABUTMENT TYPICAL IN FILLET



ABUTMENT NO. 2 ELEVATION

ABUTMENT NO. 2 DETAILS

NOTE:
 NF - NEAR FACE
 FF - FAR FACE
 EF - EACH FACE
 ▲ - CUT TO FIT IN FIELD
 80 CLR. UNLESS OTHERWISE SPECIFIED ON THE PLANS.



PROJECT NAME: CRAFTSBURY	PLOT DATE: 22-MAY-2009
PROJECT NUMBER: BRO 1449(24)	DRAWN BY: L. BULLOCK
FILE NAME: /96j310/str/sj310sub.dgn	CHECKED BY: W. LAMMER
PROJECT MANAGER: R. WHITCOMB	SHEET 25 OF 47
DESIGNED BY: W. LAMMER	
sj310cb2.1	