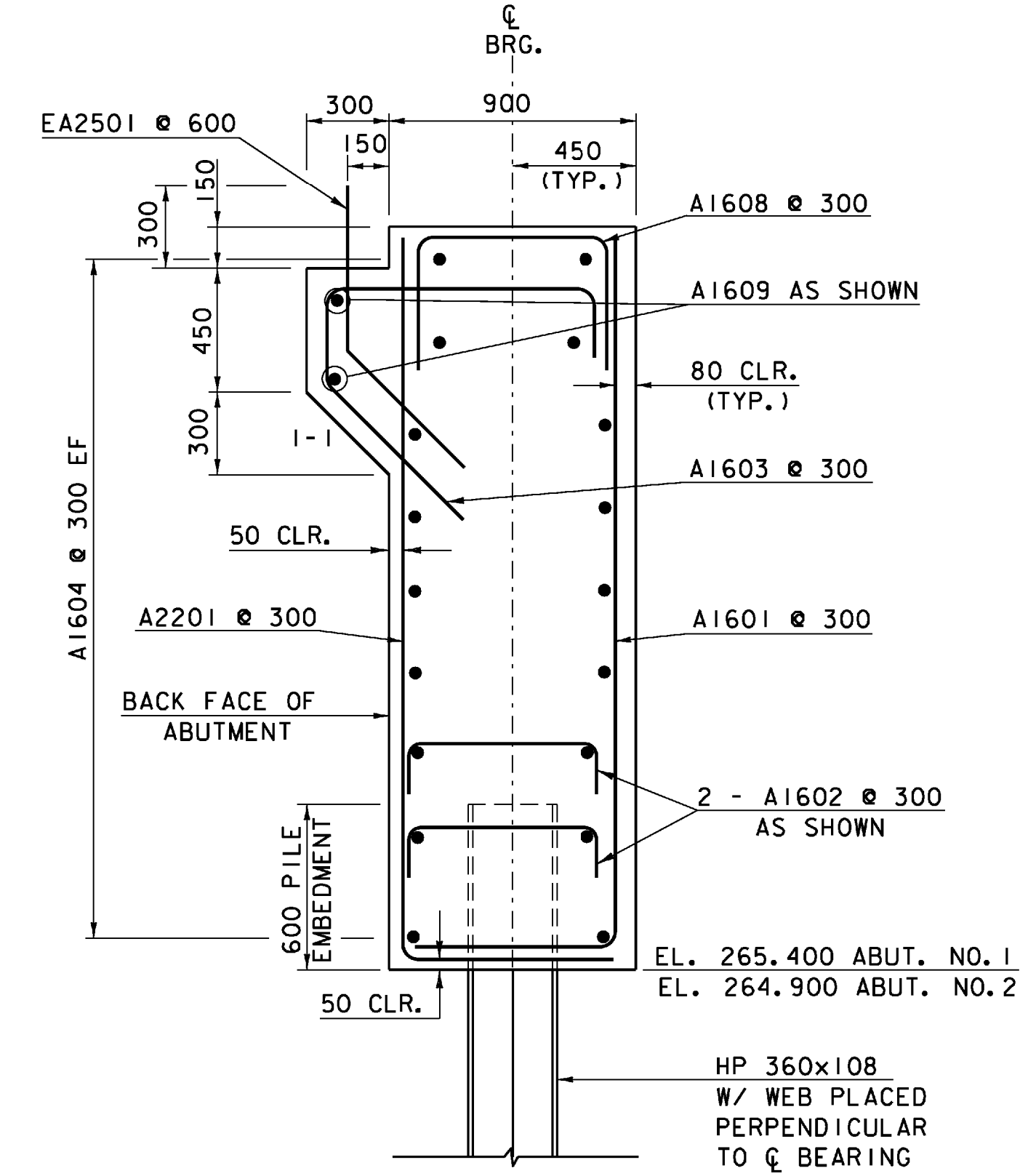
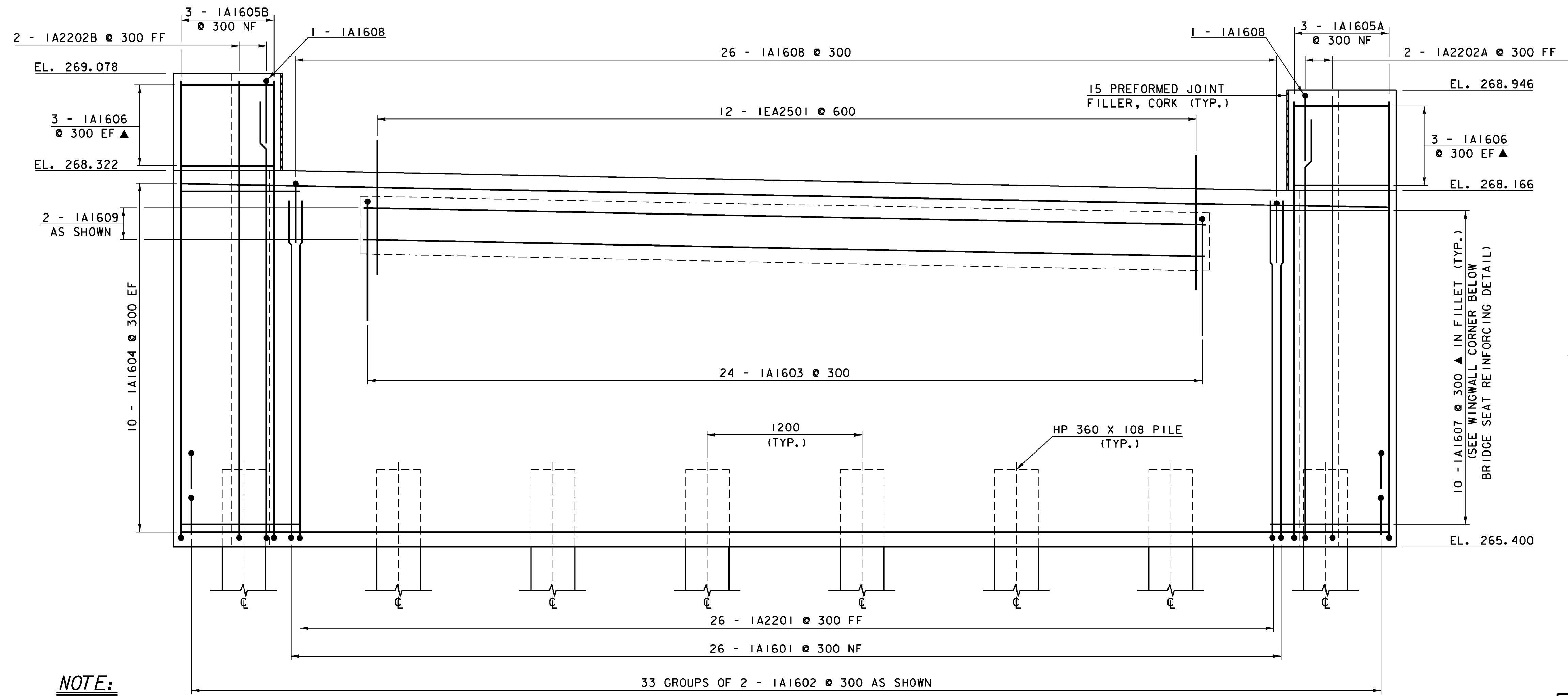


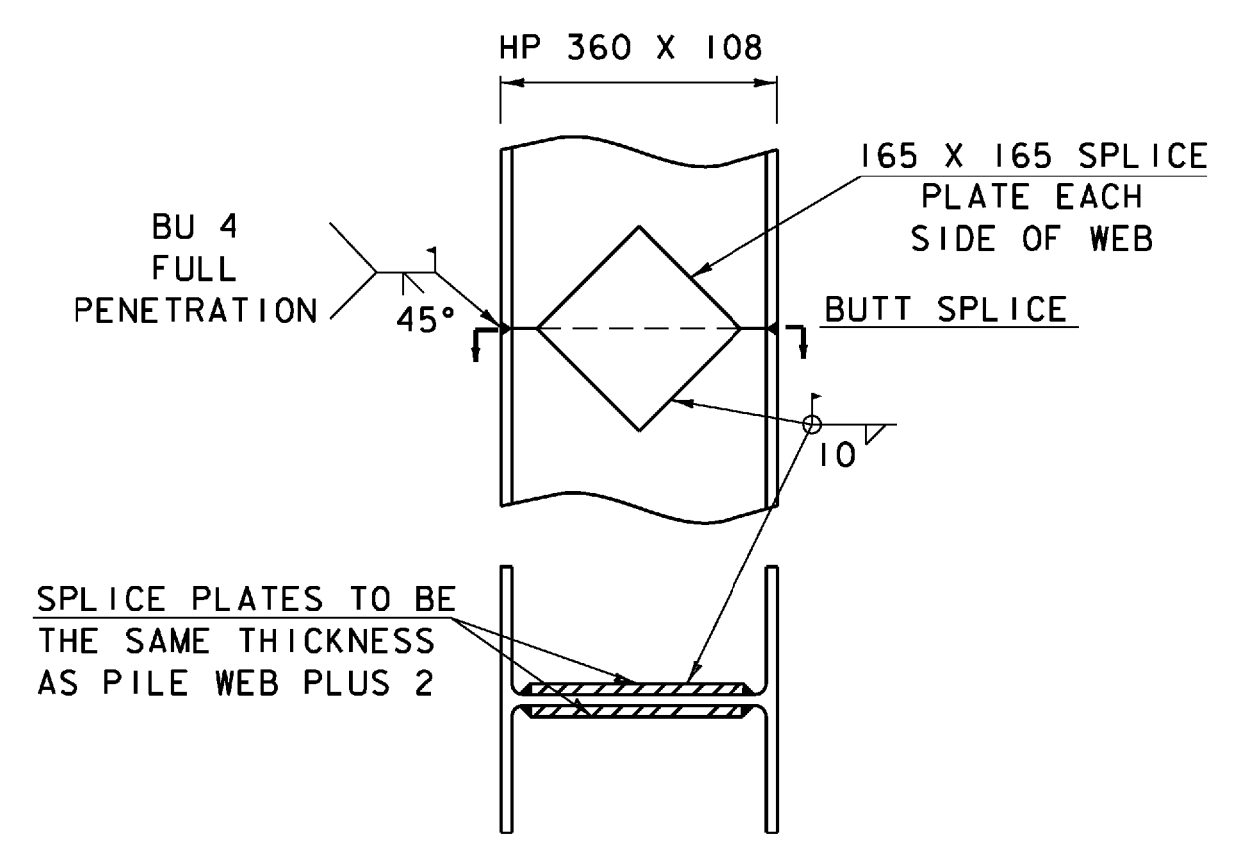
ABUTMENT NO. 1 PLAN



ABUTMENT TYPICAL IN APPROACH SLAB BRACKET



ABUTMENT NO. 1 ELEVATION



PILE SPLICE DETAIL

NOTES

1. PREFABRICATED PILE SPLICE PLATES MAY BE USED WITH THE APPROVAL OF THE RESIDENT ENGINEER.
2. WELD PROCEDURES TO BE APPROVED BY THE STRUCTURES ENGINEER PRIOR TO WELDING.

ABUTMENT NO. 1 DETAILS

PROJECT NAME:	CRAFTSBURY	FILE NAME:	/96j310/s+r/sj310sub.dgn	PLOT DATE:	22-MAY-2009
PROJECT NUMBER:	BRO 1449(24)	PROJECT MANAGER:	R. WHITCOMB	DRAWN BY:	L. BULLOCK
		DESIGNED BY:	W. LAMMER	CHECKED BY:	W. LAMMER
					SHEET 24 OF 47

NOTE:
 NF - NEAR FACE
 FF - FAR FACE
 EF - EACH FACE
 ▲ - CUT TO FIT IN FIELD
 80 CLR. UNLESS OTHERWISE SPECIFIED ON THE PLANS.

