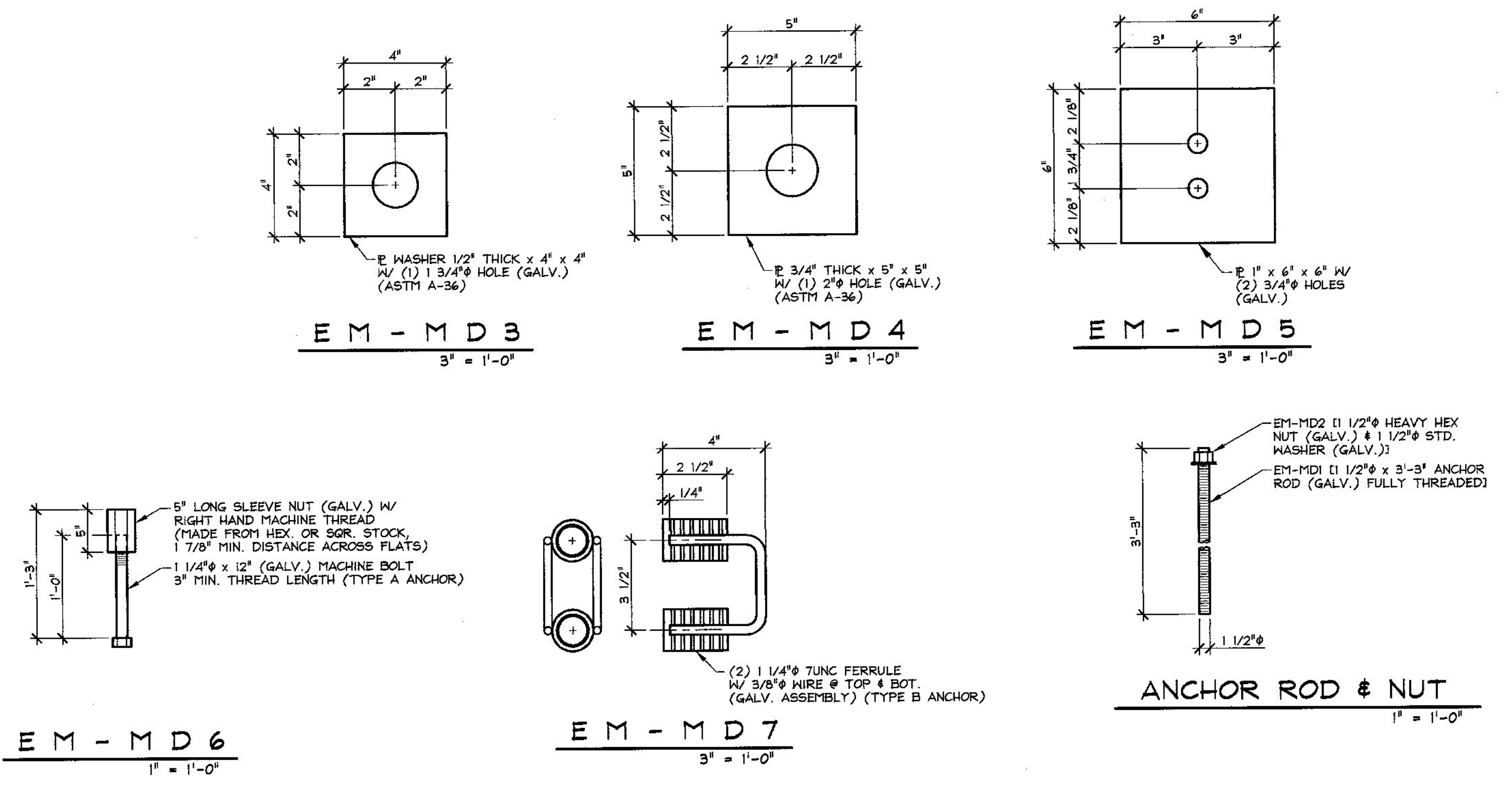


MISCELLANEOUS MATERIALS				
ITEM	MARK	QTY.	DESCRIPTION	REMARKS
1	EM-MD1	8	1 1/2" x 3'-8 1/2" ANCHOR DOWEL ROD (GALV.)	FOR ERECTION; SEE DETAIL THIS SHEET
2	EM-MD2	8	1 1/2" HEAVY HEX NUT (GALV.) & 1 1/2" STD. WASHER (GALV.)	FOR ERECTION; SEE DETAIL THIS SHEET
3	EM-MD3	8	E WASHER 1/2" x 5" x 5" W/ 1 3/4" HOLE (GALV.)	FOR ERECTION; SEE DETAIL THIS SHEET
4	EM-MD4	4	E 3/4" x 5" x 5" W/ (1) 2" HOLE (GALV.)	FOR ERECTION; SEE DETAIL THIS SHEET
5	EM-MD5	2	E 1" x 6" x 6" W/ (2) 3/4" HOLES (GALV.)	FOR ERECTION; SEE DETAIL THIS SHEET
6		4	SINGLE USE STRESSING CHUCK	FOR ERECTION
7		4	MONO-STRAND CORROSION PROTECTION SYSTEM W/ GREASE FILLED CAP	FOR ERECTION
8		4	1/2" x 20'-6" POLYSTRAND	FOR ERECTION
9				
10	MK-MD6	32	5" LG. SLV. NUT & 1 1/4" x 12" MACHINE BOLT (GALV.) (TYPE A ANCHOR)	
11	MK-MD7	16	2-BOLT FERRULE GRD. RAIL INS. 1 1/4" TUNG (GALV.) (TYPE B ANCHOR)	
12				
13		42	#5 x 2'-5" (BLACK)	SLEEPER SLAB
14		48	#5 x 2'-8" (BLACK)	SLEEPER SLAB
15		12	#5 x 2'-10" (BLACK)	SLEEPER SLAB
16		72	#5 x 3'-5" (BLACK)	SLEEPER SLAB
17		12	#5 x 3'-8" (BLACK)	SLEEPER SLAB
18		102	#5 x 4'-11" (BLACK)	SLEEPER SLAB
19		18	#5 x 17'-4" (BLACK)	SLEEPER SLAB
20		24	#5 x 26'-1" (BLACK)	SLEEPER SLAB
21				
22		48	#4 x 4'-0" (EPOXY COATED)	VOIDED SLAB
23		96	#5 x 4'-0" (EPOXY COATED)	VOIDED SLAB
24				
25				
26				
27				
28				
29				
30		24	3/4" x 4 1/2" NON-FERROUS VOID DRAIN	
31		16	3/4" x 5 1/2" NON-FERROUS VOID DRAIN	
32				
33		12	12" x 21"-11 3/4" VOID	
34		8	10" x 22'-0 1/4" VOID	
35		24	8T x 13 3/8" DAYTON SWIFT LIFT	



Vermont Agency of Transportation
RECEIVED
 CK'D BY HIS _____ OK'D BY MRU
 May 23, 2014
 RESUBMIT NO Approved
 BY Carolyn Carlson DATE June 4, 2014

APPROVAL STAMP:	J.P. CARRARA & SONS INC. AL ST. ONGE CONTRACTORS, INC. Precast & Prestress Manufacturer CONTRACTOR 2464 ONE STR. MONTGOMERY, VERMONT 05753 Phone: (802)388-6361 Fax: (802)388-9010 MONTGOMERY, VERMONT	
	STATE OF VERMONT AGENCY OF TRANSPORTATION COUNTY OF FRANKLIN	DATE: MARCH 10, 2014 SCALE: NOTED
	TOWN OF MONTGOMERY ROUTE NO. TH 10 CLASS 3 BRIDGE NO.: 36 PROJECT NO.: BHO 1448 (27)	CHKD: - DFTM: T.D. JOB NO.: 23421-014
	MATERIAL LIST	DWG. NO: M1