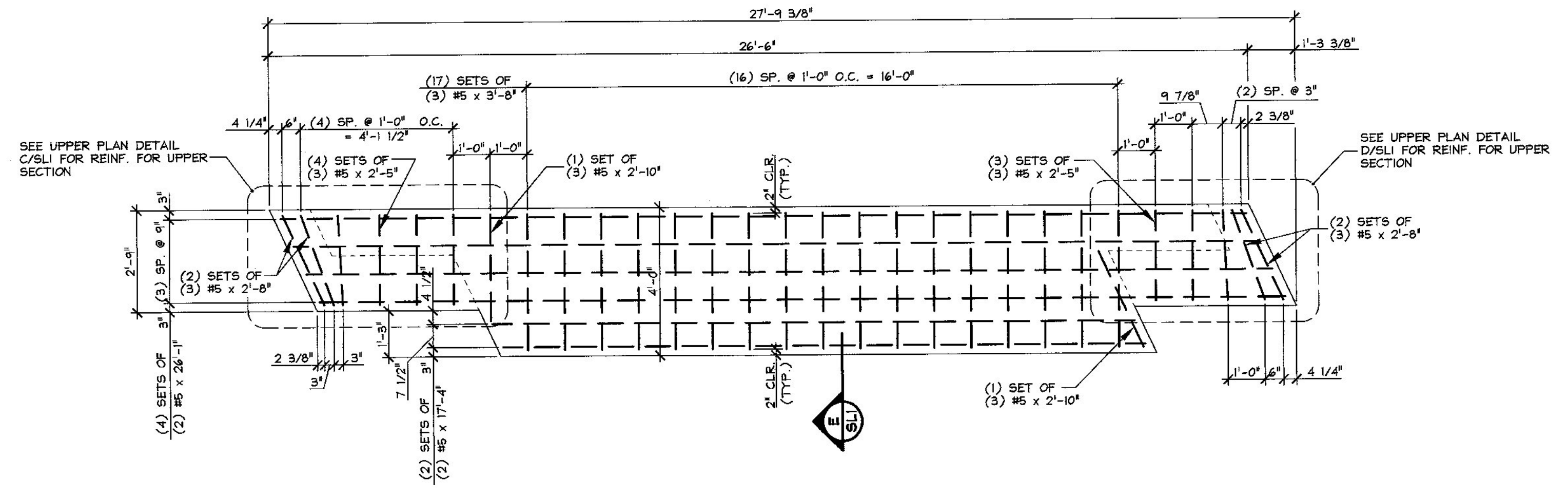
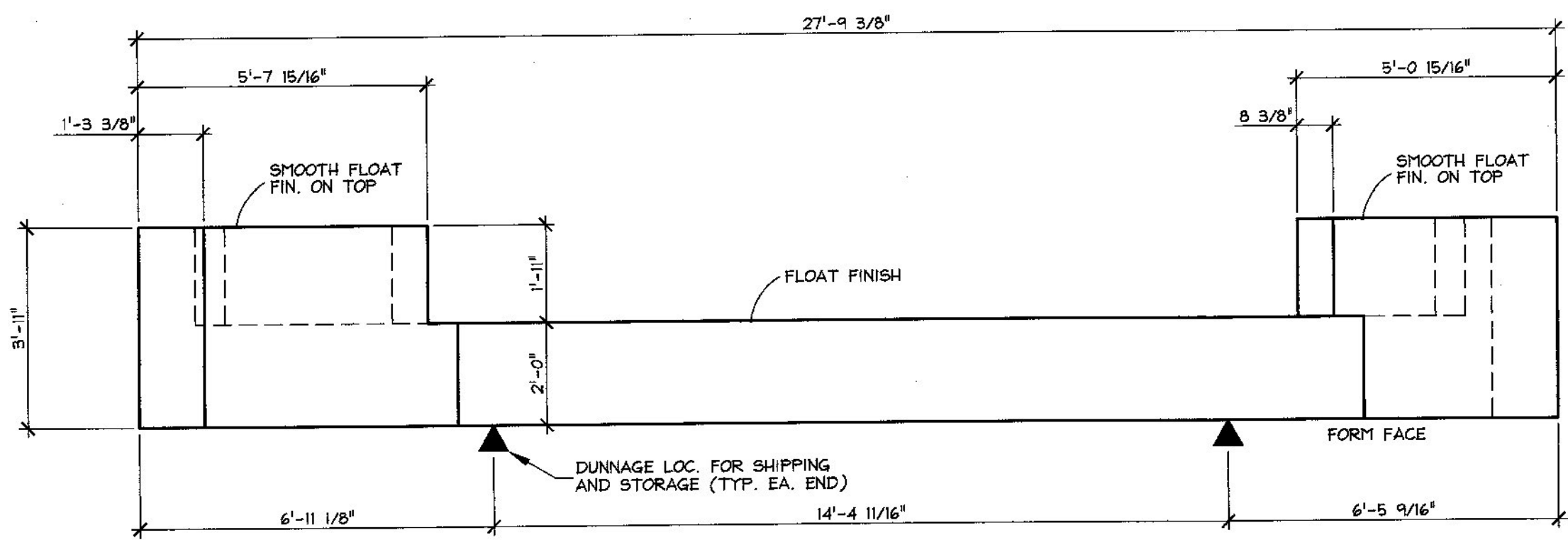


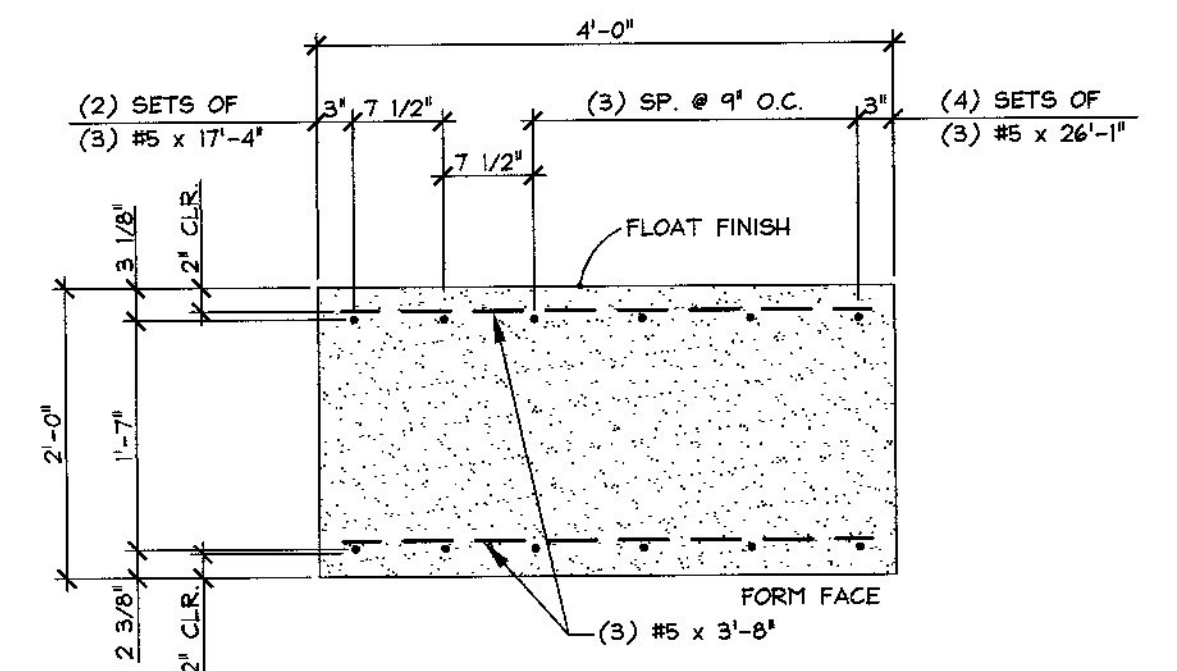
1 PRECAST SLEEPER SLAB PLAN VIEW IN FORM
SLS-1
3/8" = 1'-0"



3 REINFORCING PLAN VIEW IN FORM
SLS-1 (SLEEPER SLAB BASE)
3/8" = 1'-0"

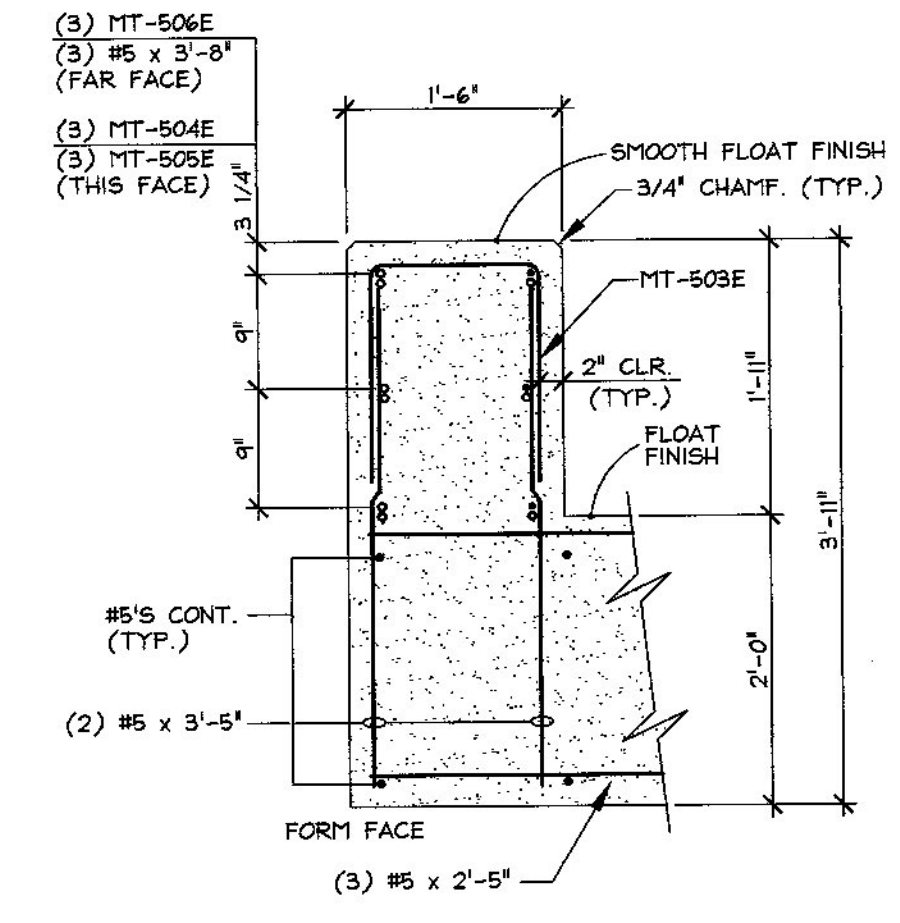


2 PRECAST SLEEPER SLAB ELEV. VIEW IN FORM
SLS-1
3/8" = 1'-0"

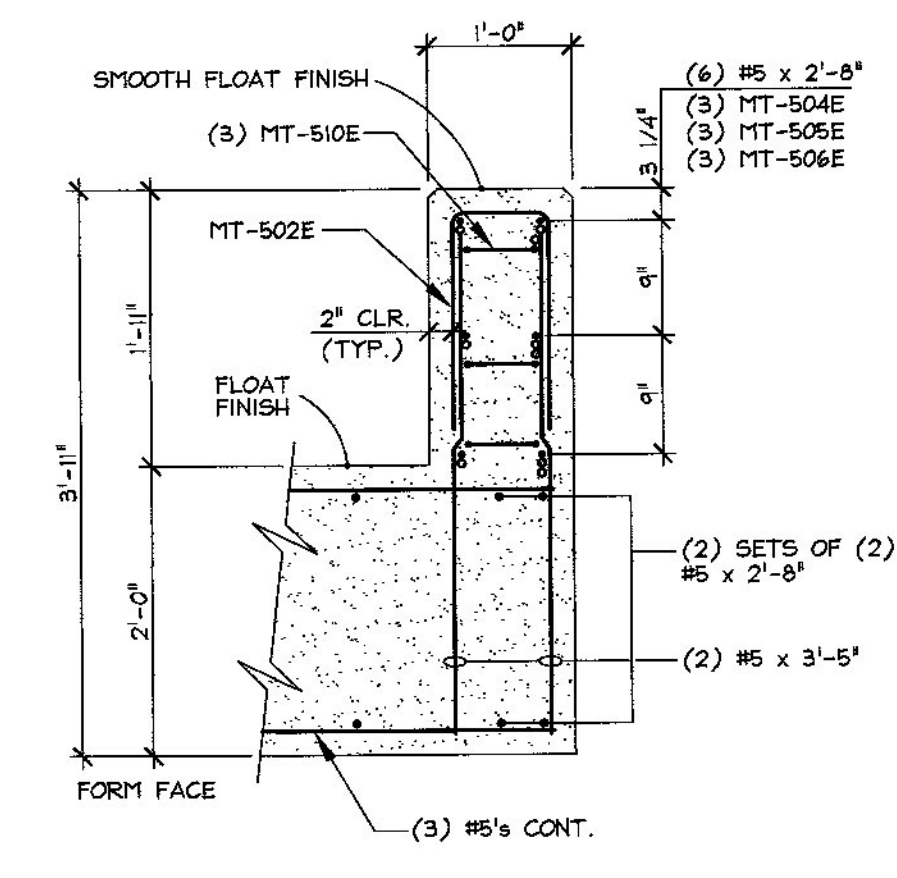


E REINFORCING SECTION
SLS-1
3/4" = 1'-0"

Vermont Agency of Transportation
RECEIVED
CK'D BY HIS OK'D BY MRU
May 23, 2014
RESUBMIT NO Approved AsNoted
BY Carolyn Carlson DATE June 4, 2014



B REINFORCING SECTION
SLS-1
3/4" = 1'-0"

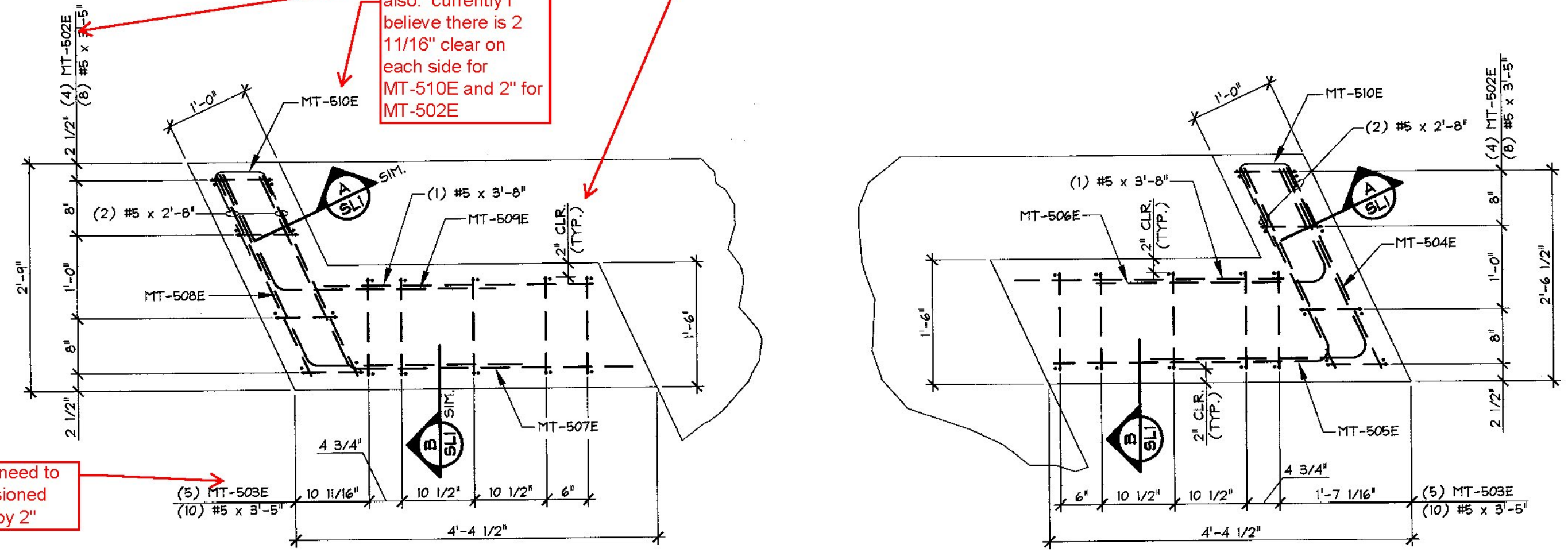


A REINFORCING SECTION
SLS-1
3/4" = 1'-0"

MARK: SLS-1 QTY.: 2 WT.: 16.54 T VOL.: 8.16 cy			
MATERIAL LIST / SLAB			
ITEM	MARK	DESCRIPTION	QTY./SLAB
1		8T x 13 3/8" DAYTON SWIFT LIFT	4
2			
3	MT-502E	#5 BENT BAR (BLACK)	8
4	MT-503E	#5 BENT BAR (BLACK)	10
5	MT-504E	#5 BENT BAR (BLACK)	3
6	MT-505E	#5 BENT BAR (BLACK)	3
7	MT-506E	#5 BENT BAR (BLACK)	3
8	MT-507E	#5 BENT BAR (BLACK)	3
9	MT-508E	#5 BENT BAR (BLACK)	3
10	MT-509E	#5 BENT BAR (BLACK)	3
11	MT-510E	#5 BENT BAR (BLACK)	6
12			
13		#5 x 2'-5" (BLACK)	21
14		#5 x 2'-8" (BLACK)	24
15		#5 x 2'-10" (BLACK)	6
16		#5 x 3'-5" (BLACK)	36
17		#5 x 3'-8" (BLACK)	57
18		#5 x 17'-4" (BLACK)	4
19		#5 x 26'-1" (BLACK)	8
20			

if 3" clearance on this leg also, then will need to narrow up these stirrups also. currently I believe there is 2 11/16" clear on each side for MT-510E and 2" for MT-502E

these will need to be dimensioned narrower by 2"



C REINFORCING PLAN DETAIL
SLS-1
3/4" = 1'-0"

D REINFORCING PLAN DETAIL
SLS-1
3/4" = 1'-0"

APPROVAL STAMP:	J.P. CARRARA & SONS INC. AL ST. ONGE CONTRACTORS, INC. Precast & Prestress Manufacturer 244 GEE ST., MONTGOMERY, VERMONT 05751 Phone: (802)388-6361 Fax: (802)388-9910
STATE OF VERMONT AGENCY OF TRANSPORTATION COUNTY OF FRANKLIN	DATE: MARCH 10, 2014 SCALE: NOTED
TOWN OF MONTGOMERY ROUTE NO. TH 10 CLASS 3 BRIDGE NO.: 36 PROJECT NO.: BHO 1448 (27)	CHKD: - DFTM: T.D. JOB NO: 23421-014
P/C SLEEPER SLAB DETAILS	DWG. NO: SLS-1