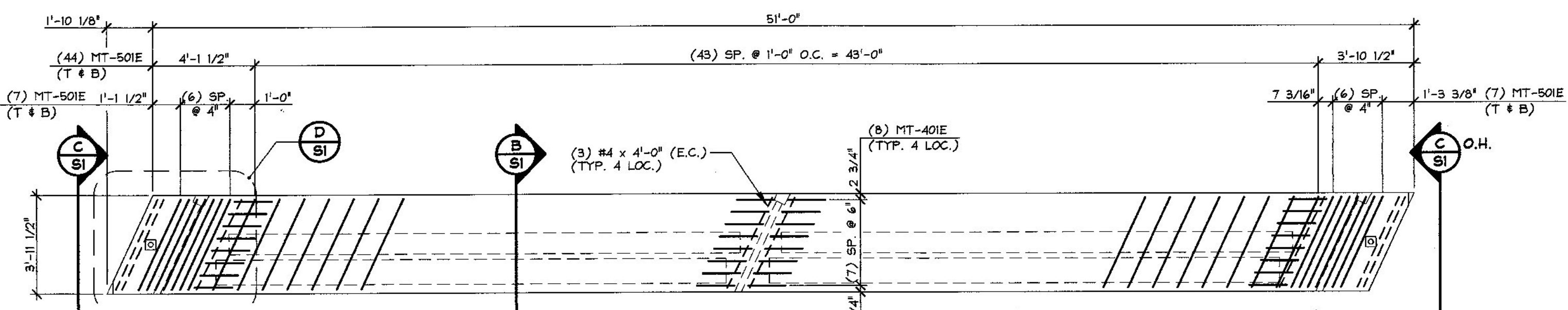


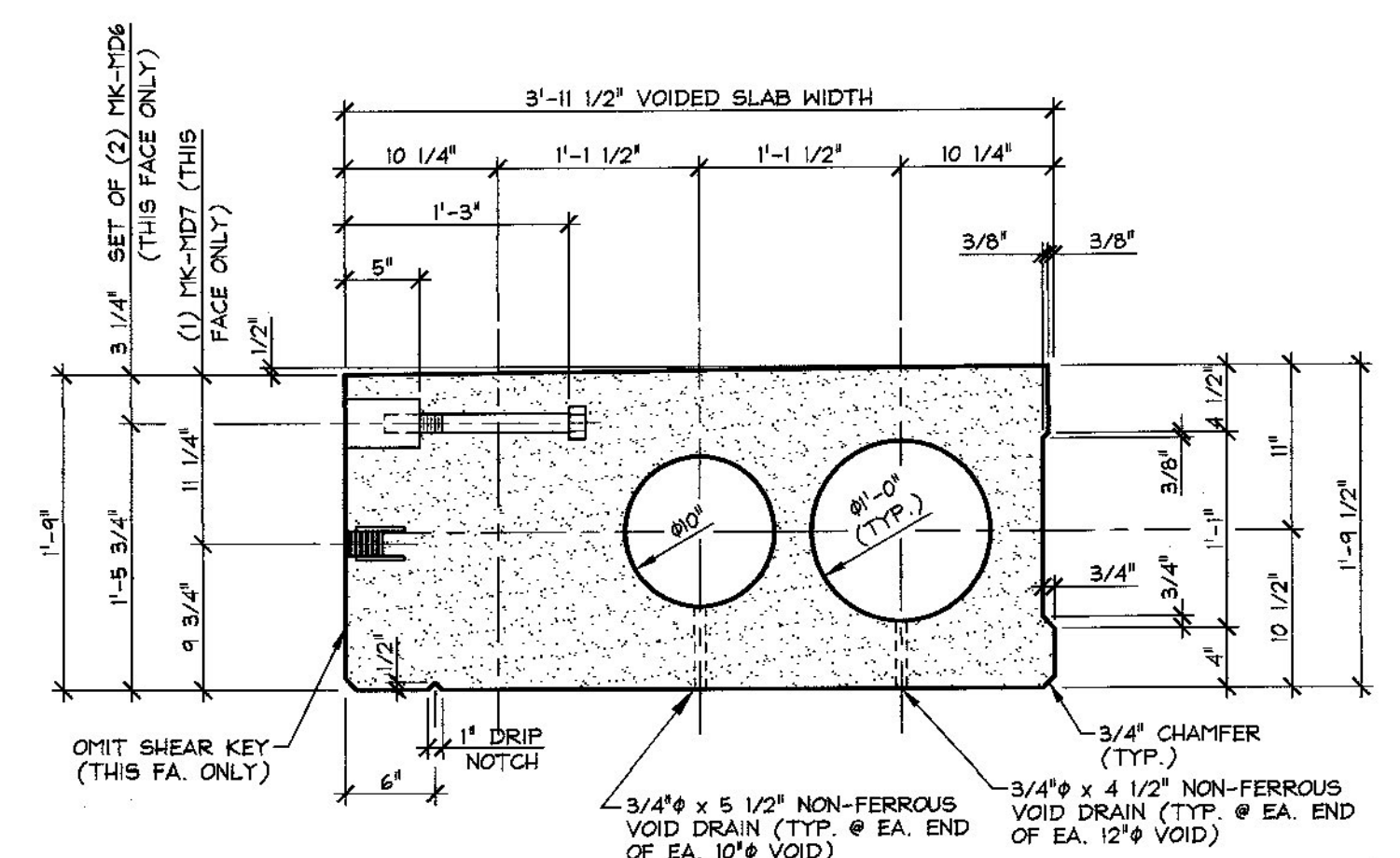
1 DIMENSIONAL PLAN VIEW IN FORM
1/4" = 1'-0"



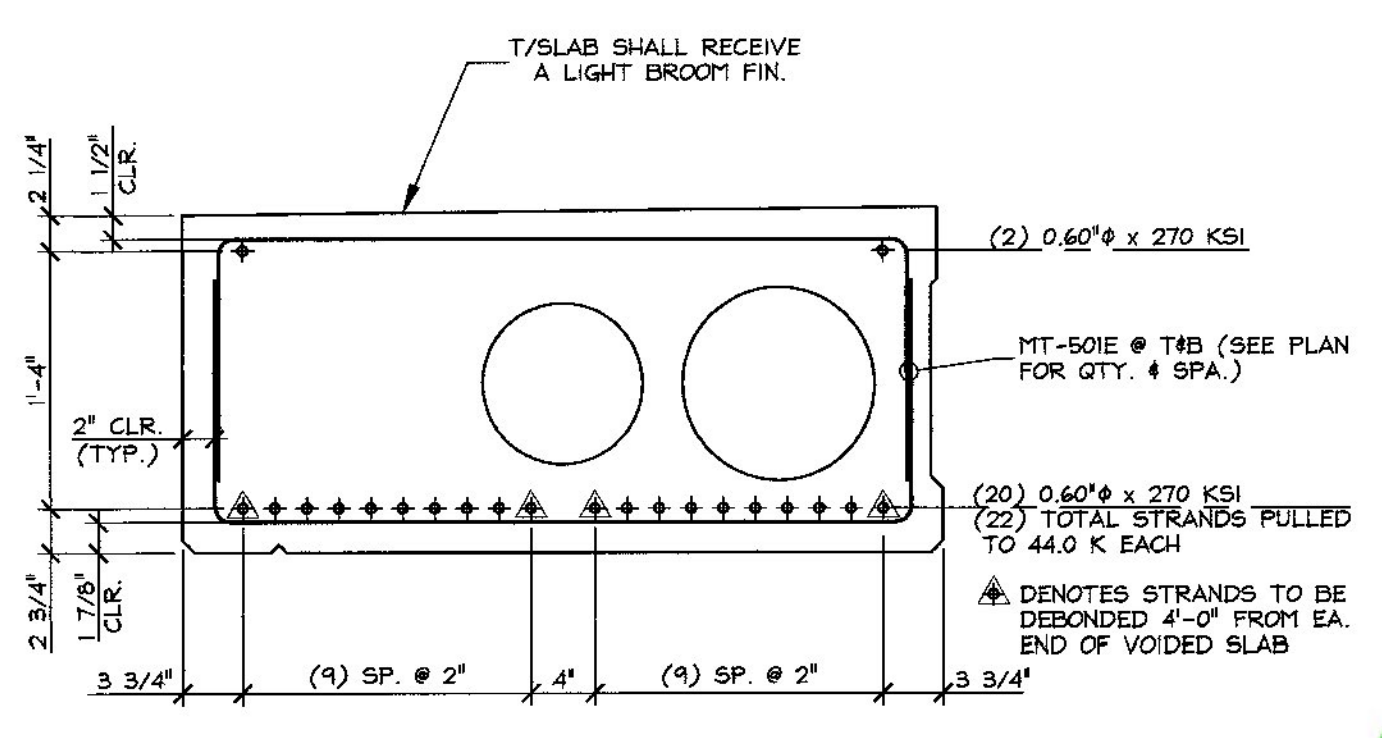
2 REINFORCING PLAN VIEW IN FORM
1/4" = 1'-0"



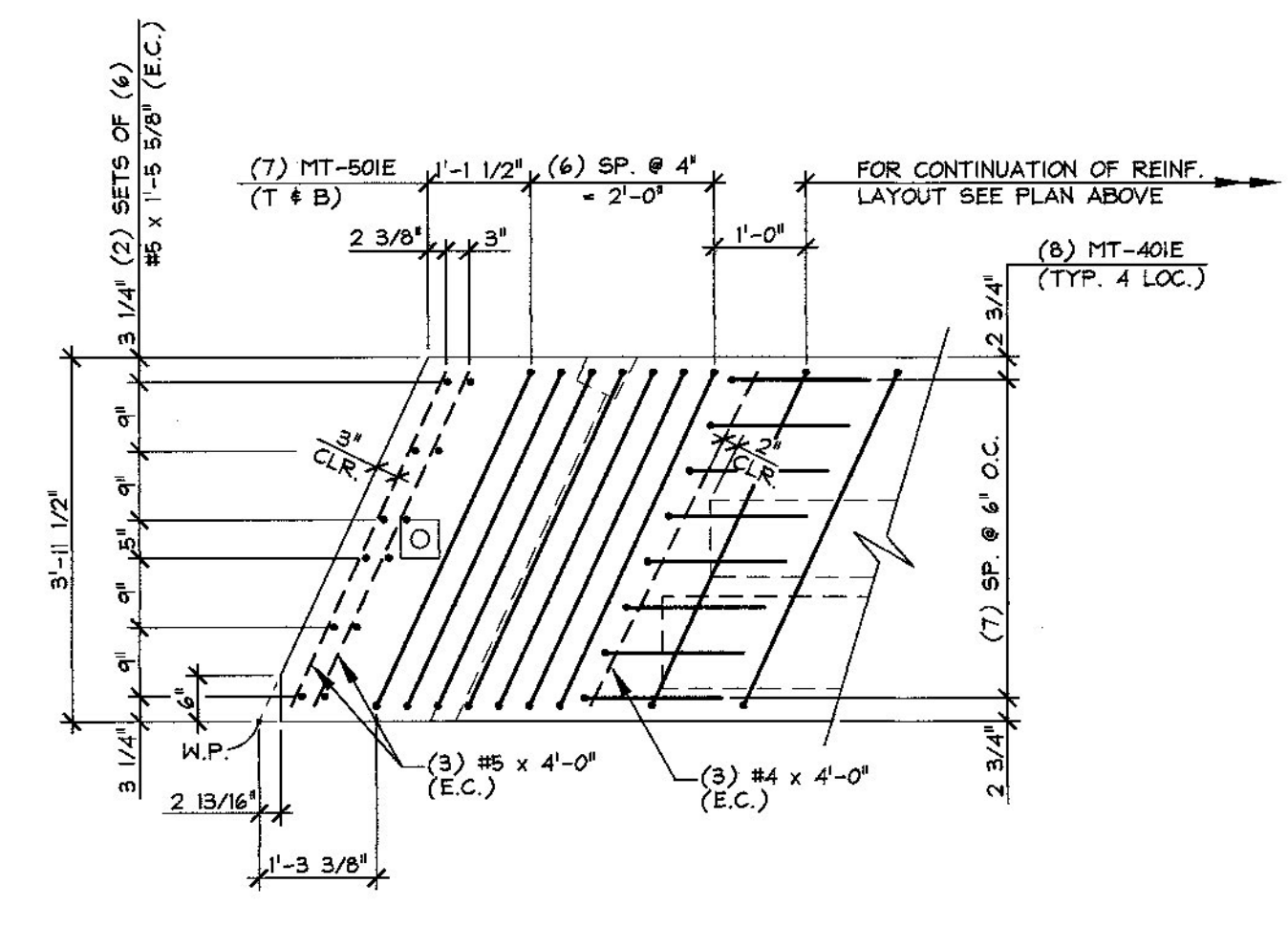
DETENSIONING SCHEDULE
N.T.S.



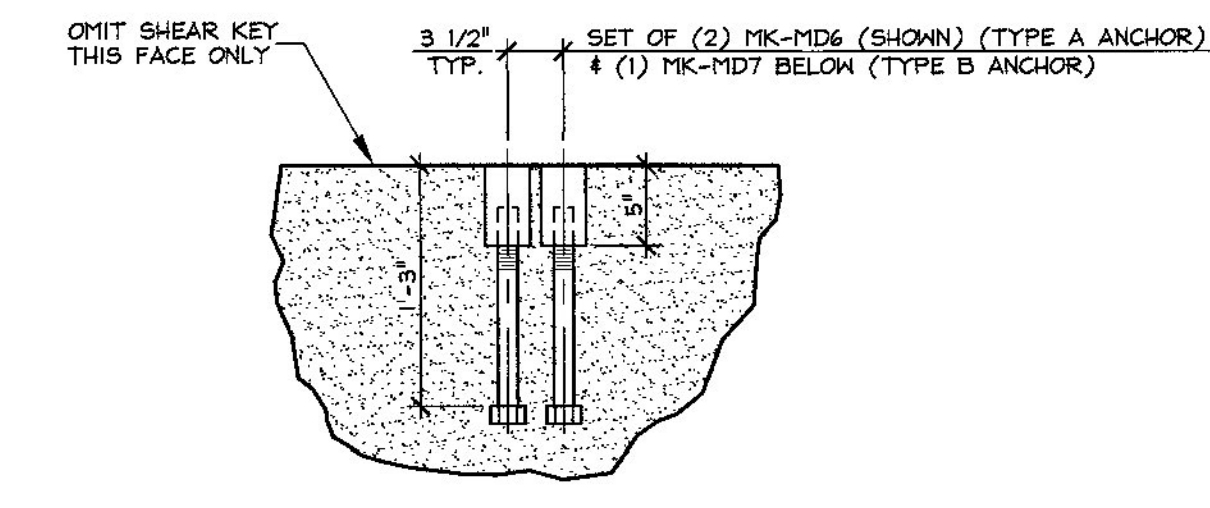
A DIMENSIONAL SECTION
1" = 1'-0"



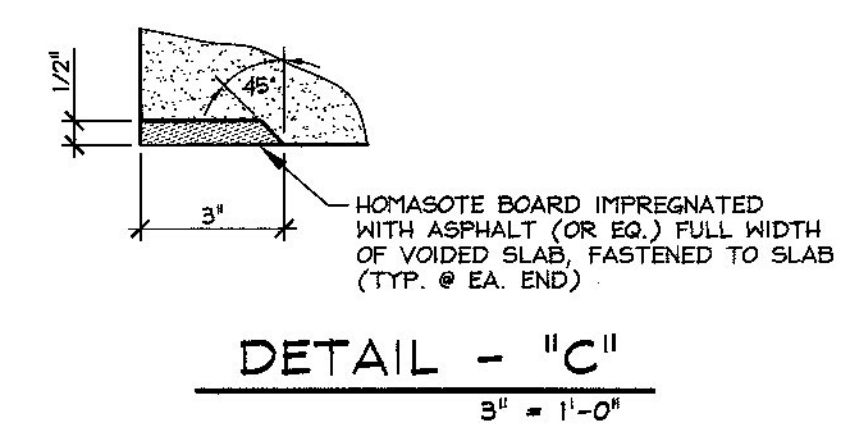
B REINFORCING SECTION
1" = 1'-0"



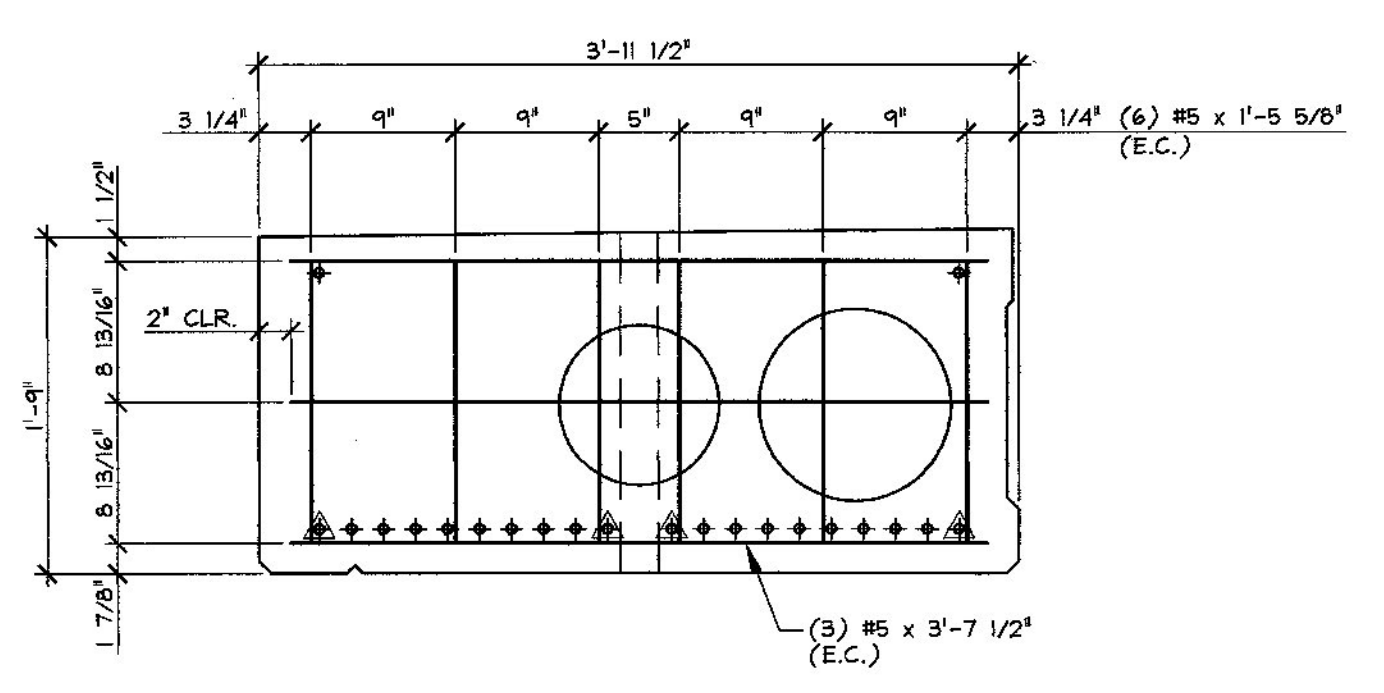
D END BLOCK REINF. PLAN
1/2" = 1'-0"



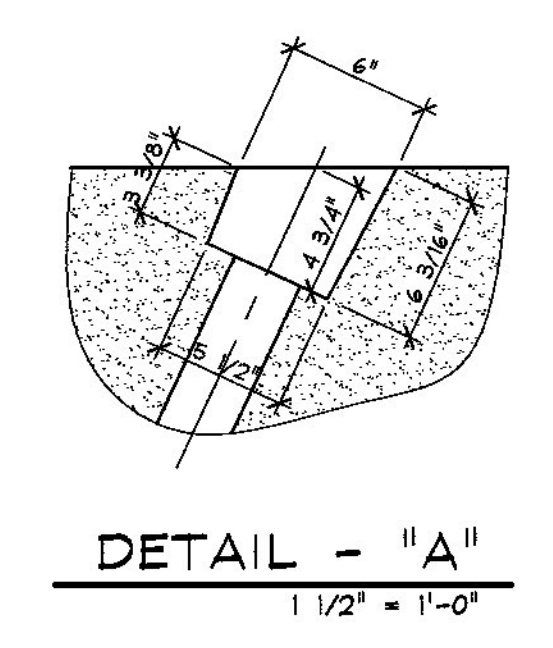
E RAIL INSERT PLAN DETAIL
1" = 1'-0"



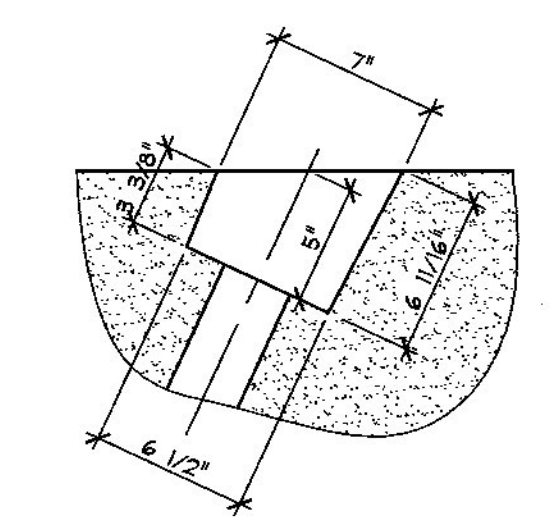
DETAIL - "C"
3" = 1'-0"



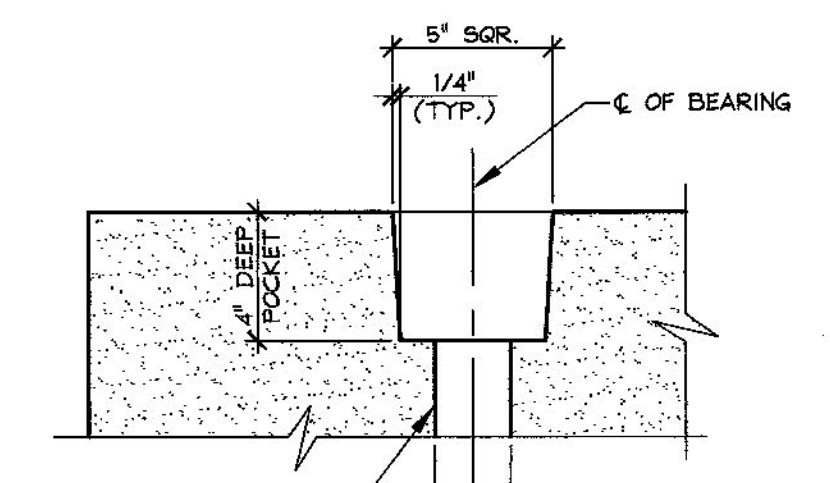
C END BLOCK REINF. SECTION
1" = 1'-0"



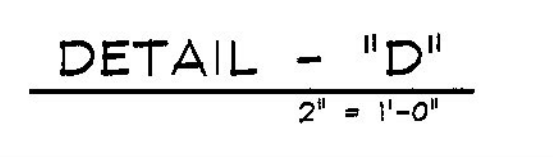
DETAIL - "A"
1 1/2" = 1'-0"



DETAIL - "B"
1 1/2" = 1'-0"



SECTION @ BEAM C



DETAIL - "D"
2" = 1'-0"

2 3/8" HOLE THRU VOIDED SLAB (MADE FROM 2" I.D. PVC SLEEVE, TO BE REMOVED FROM BEAM AFTER STRIPPING, BY CARRARA @ PLANT)

MATERIAL LIST / SLAB			
ITEM	MARK	DESCRIPTION	QTY./SLAB
1			
2	MT-401E	#4 BENT BAR (LEVEL I EPOXY COATED)	32
3	MT-501E	#5 BENT BAR (LEVEL I EPOXY COATED)	116
4			
5			
6			
7			
8			
9		#4 x 4'-0" (LEVEL I EPOXY COATED)	12
10		#5 x 4'-0" (LEVEL I EPOXY COATED)	24
11			
12			
13			
14			
15		12" x 20'-7 9/16" VOID	2
16		10" x 20'-8" VOID	2
17			
18	MK-MD6	5" LG. SLV. NUT # 1 1/4" x 12" MACHINE BOLT (GALV.)	16
19	MK-MD7	2-BOLT FERRULE GRD. RAIL INS. 1 1/4" x 7UNC (GALV.)	8
20		8T x 13 3/8" SWIFT LIFT ANCHORS (GALV.)	4

I.P. CARRARA & SONS INC. AL ST. ONGE CONTRACTORS, INC.
Precast & Prestress Manufacturer CONTRACTOR
ONE SR, MIDDLEBURY, VERMONT 05753 Phone: (802)388-6351 Fax: (802)388-9010 MONTGOMERY, VERMONT

STATE OF VERMONT AGENCY OF TRANSPORTATION DATE: MARCH 10, 2014
COUNTY OF FRANKLIN SCALE: NOTED

TOWN OF MONTGOMERY CHKD: - DFTM: T.D.
ROUTE NO. TH 10 CLASS 3
BRIDGE NO.: 36 PROJECT NO.: BHO 1448 (27) JOB NO: 29421-014

P/S VOIDED SLAB DETAILS DWG. NO: S1

Vermont Agency of Transportation
RECEIVED
CK'D BY HIS OK'D BY MRU
May 23, 2014
RESUBMIT NO Approved
BY Carolyn Carlson DATE June 4, 2014