

Vermont Agency of Transportation

RECEIVED

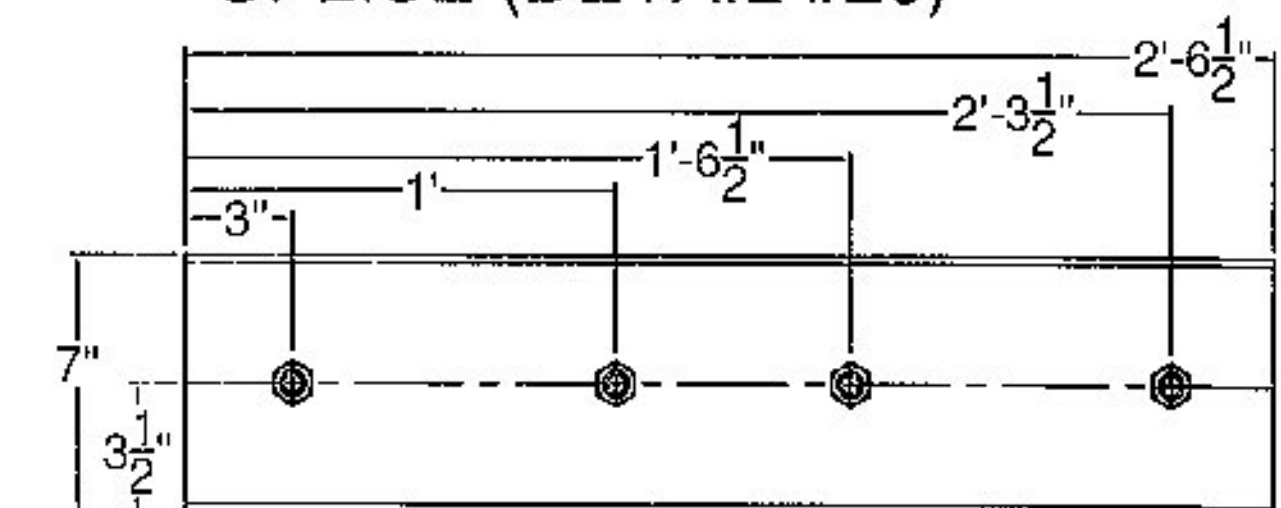
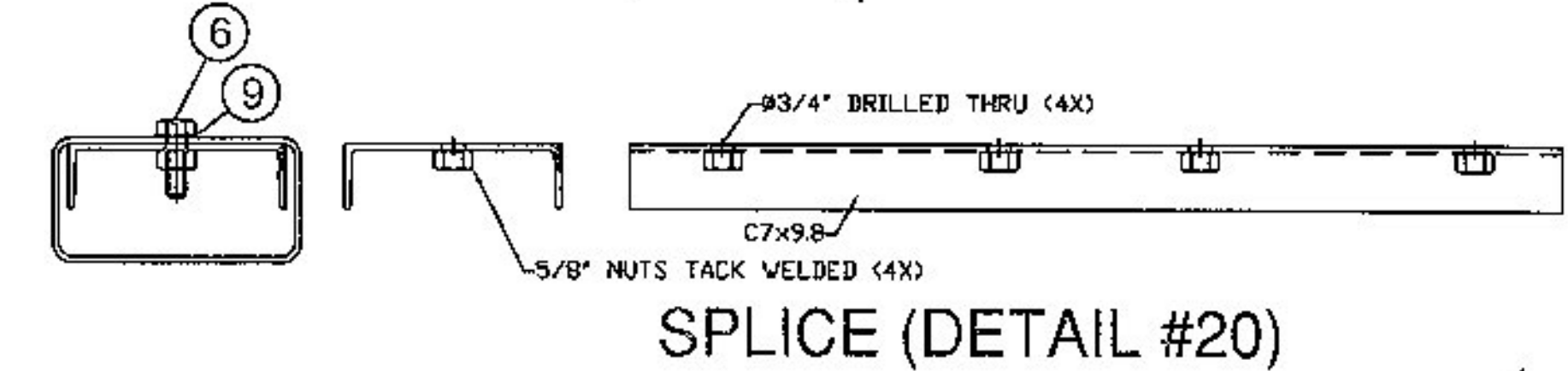
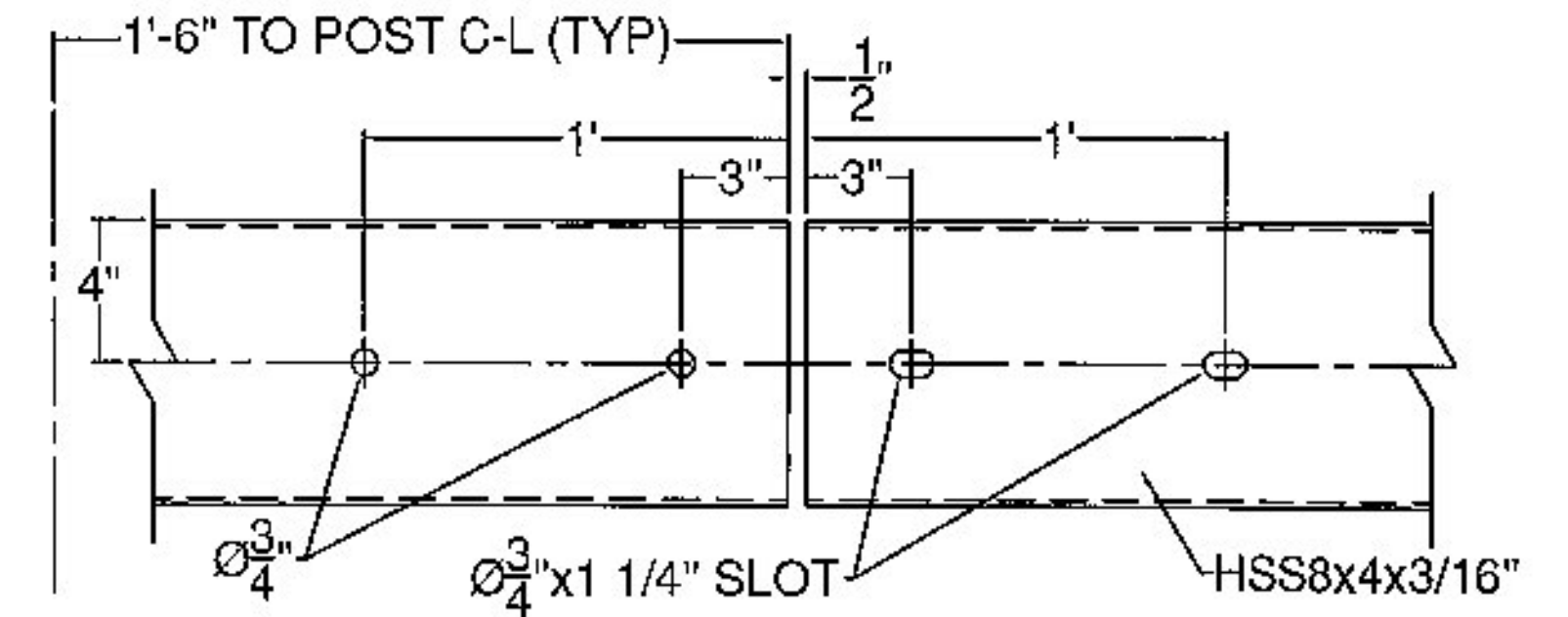
FRLMONTGOMERY.pdf

CK'D BY JC OK'D BY HIS

May 21, 2014

RESUBMIT No Approved

BY Carolyn Carlson DATE 6/19/2014



ITEM #: 525.44

SHEET 2 OF 2

APPROVED BY:

BRIDGE RAIL DETAILS SHEET

MONTGOMERY, PROJECT BHO 1448(27), SR# 96 ROUTE T.H. 10, CLASS III
TOWN OF MONTGOMERY, COUNTY OF FRANKLIN, VERMONT

R NO.	DATE	DESCRIPTION	BY	R NO.	DATE	DESCRIPTION	BY
E				E			
V				V			

ELDERLEE, INC. OAKS CORNERS, NEW YORK 14578 E-Mail: dion@elderlee.com / epack@elderlee.com Tel: 315-789-8620 Fax: 315-789-6616	DRAWN E.P. 5/21/14 CHECKED D.L. 5/21/14 APPROVED SCALE SCHEMATIC DRAWING NO. FR LAFAYETTE-MONTGOMERY
---	--

DETAIL #11 (POST #1)