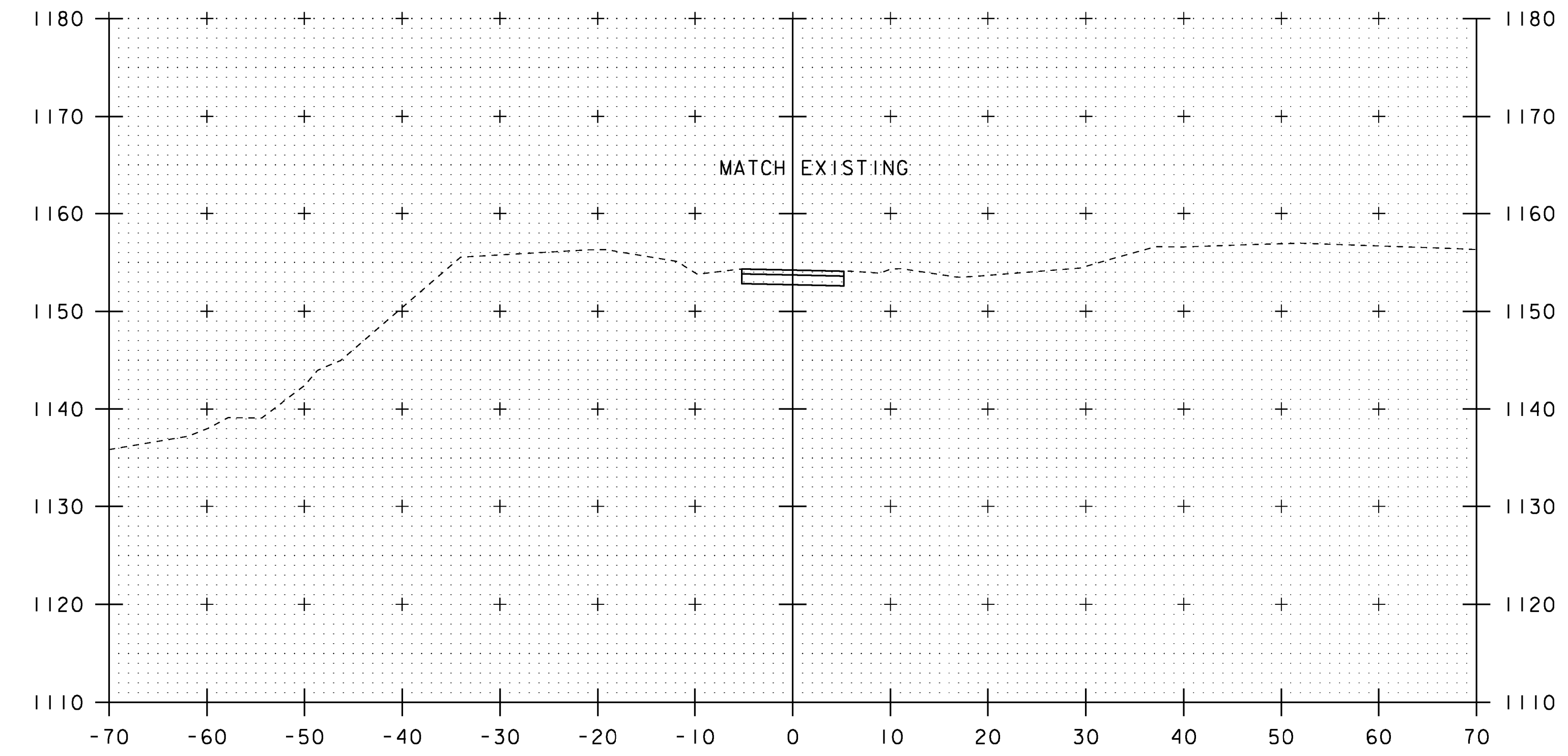
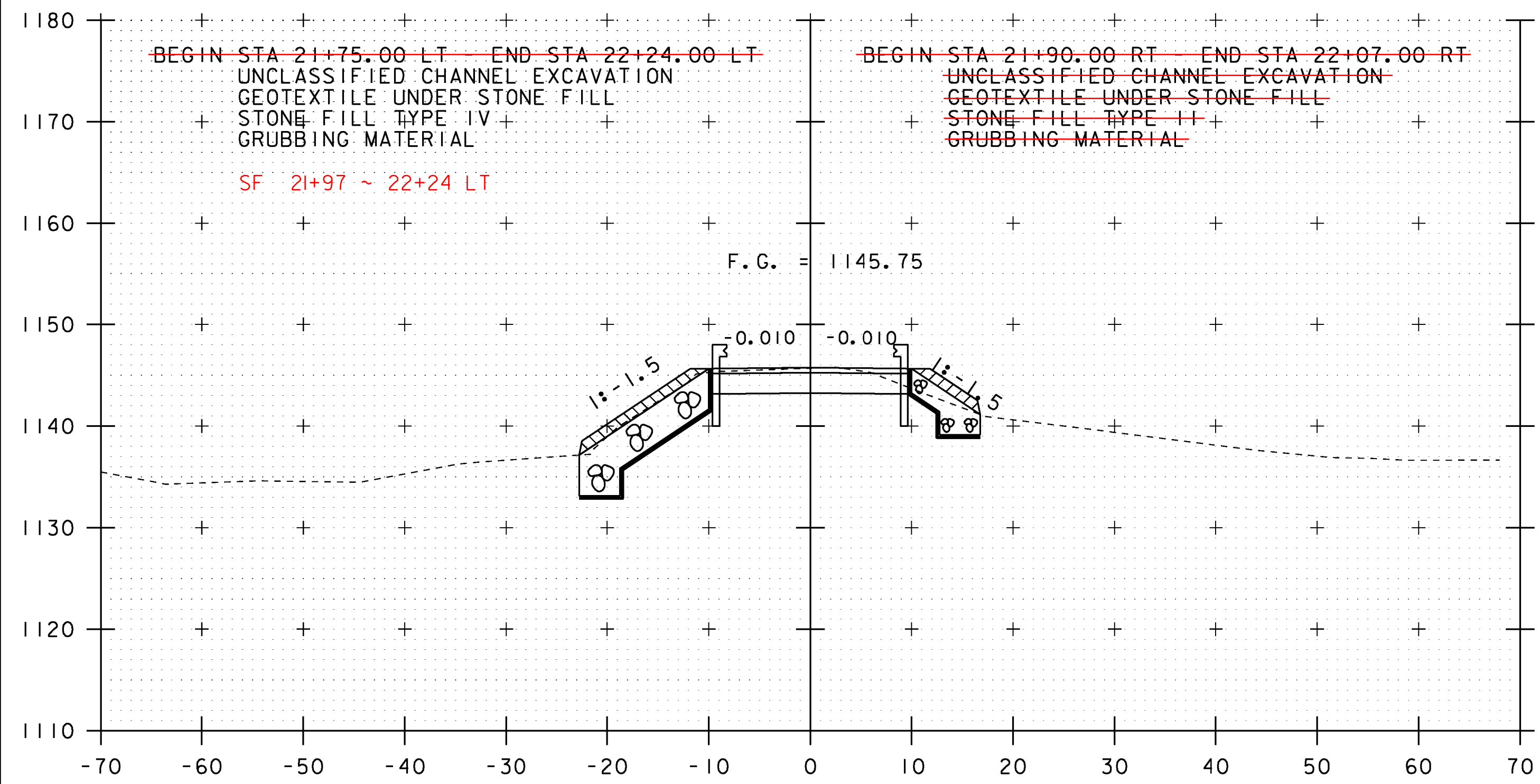


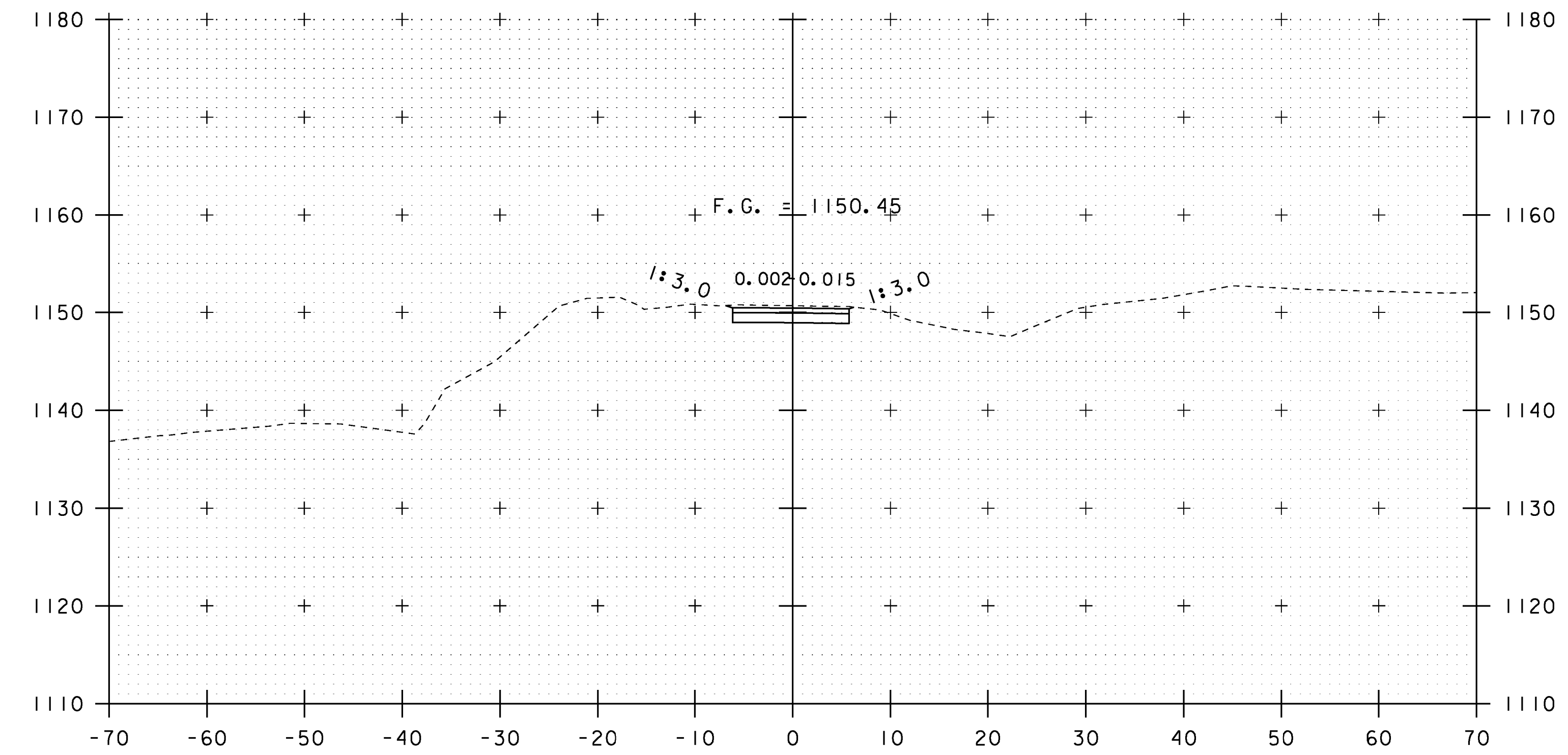
22+25



22+75 END APPROACH



22+00 END PROJECT



22+50

PROJECT NAME: MONTGOMERY	
PROJECT NUMBER: BHO 1448(27)	
FILE NAME: s96j306xs2.dgn	PLOT DATE: 21-NOV-2013
PROJECT LEADER: C. CARLSON	DRAWN BY: R. PELLETT
DESIGNED BY: H. SALLS	CHECKED BY: J. LACROIX
MAINLINE CROSS SECTIONS 3	SHEET 21 OF 30

STA. 22+00 TO STA. 22+75