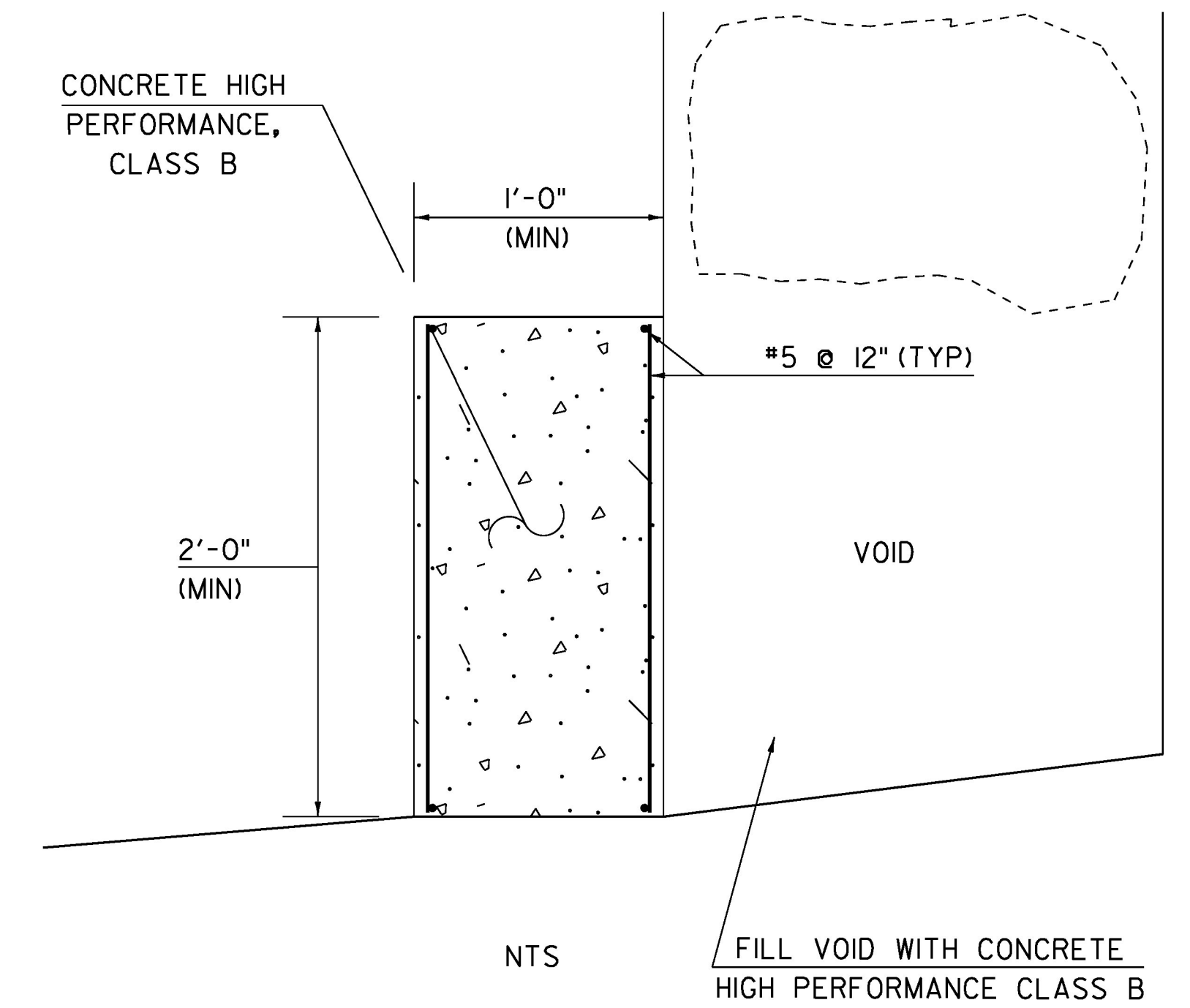




EXISTING WINGWALL #2



SUBSTRUCTURE NOTES

THE PICTURES REPRESENT THE EXISTING CONDITION OF THE WINGWALL #2 SUBSTRUCTURE BUT DOES NOT SHOW ALL THE AFFECTED AREAS.

THE INTENTION IS TO FILL THE VOIDS IN WINGWALL #2 WITH CONCRETE. PAYMENT FOR THIS WORK WILL BE MADE UNDER ITEM 501.34 CONCRETE, HIGH PERFORMANCE CLASS B AND ITEM 507.11 REINFORCING STEEL, LEVEL 1.

THE DEAD TREE IS TO BE REMOVED BEFORE FORMING AND POURING OF CONCRETE.

THE ENGINEER WILL DETERMINE THE LEVEL OF REPAIR NEEDED.

PROJECT NAME: MONTGOMERY	PLOT DATE: 11-DEC-2013
PROJECT NUMBER: BHO 1448(27)	DRAWN BY: DZENAN K.
FILE NAME: s96j306sub.dgn	CHECKED BY: J. LACROIX
PROJECT LEADER: C. CARLSON	SHEET 18 OF 30
DESIGNED BY: H. SALLS	
EXISTING WINGWALL #2 REPAIR	