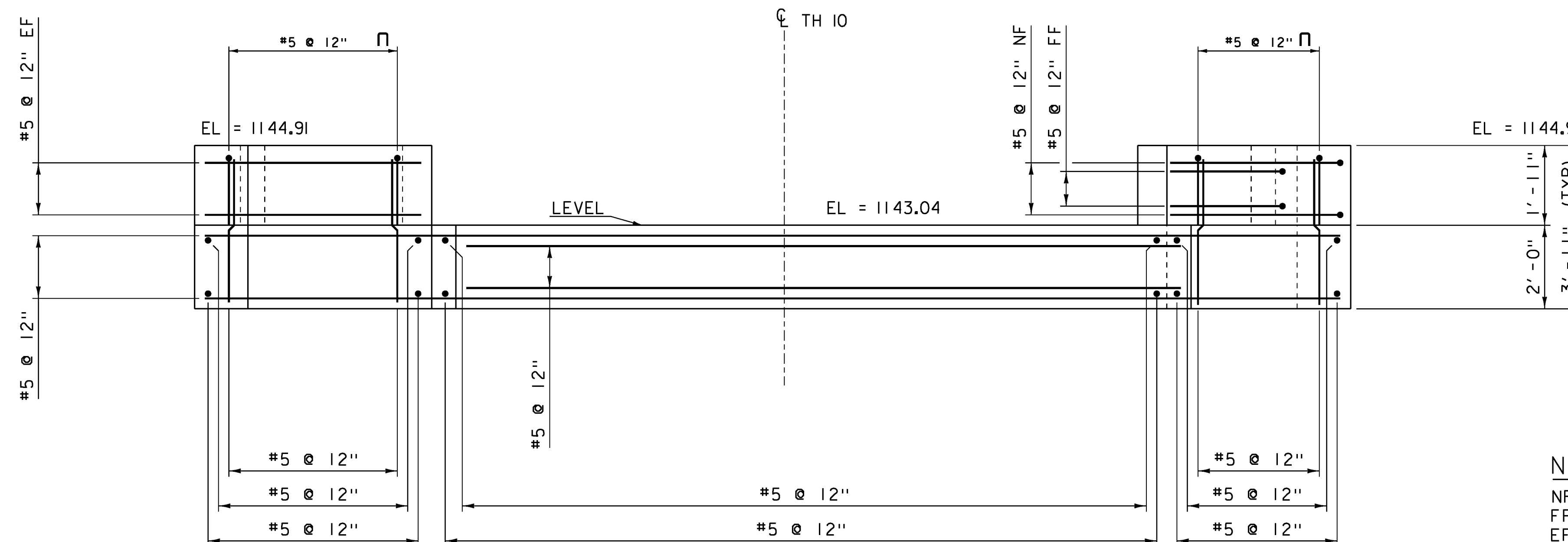


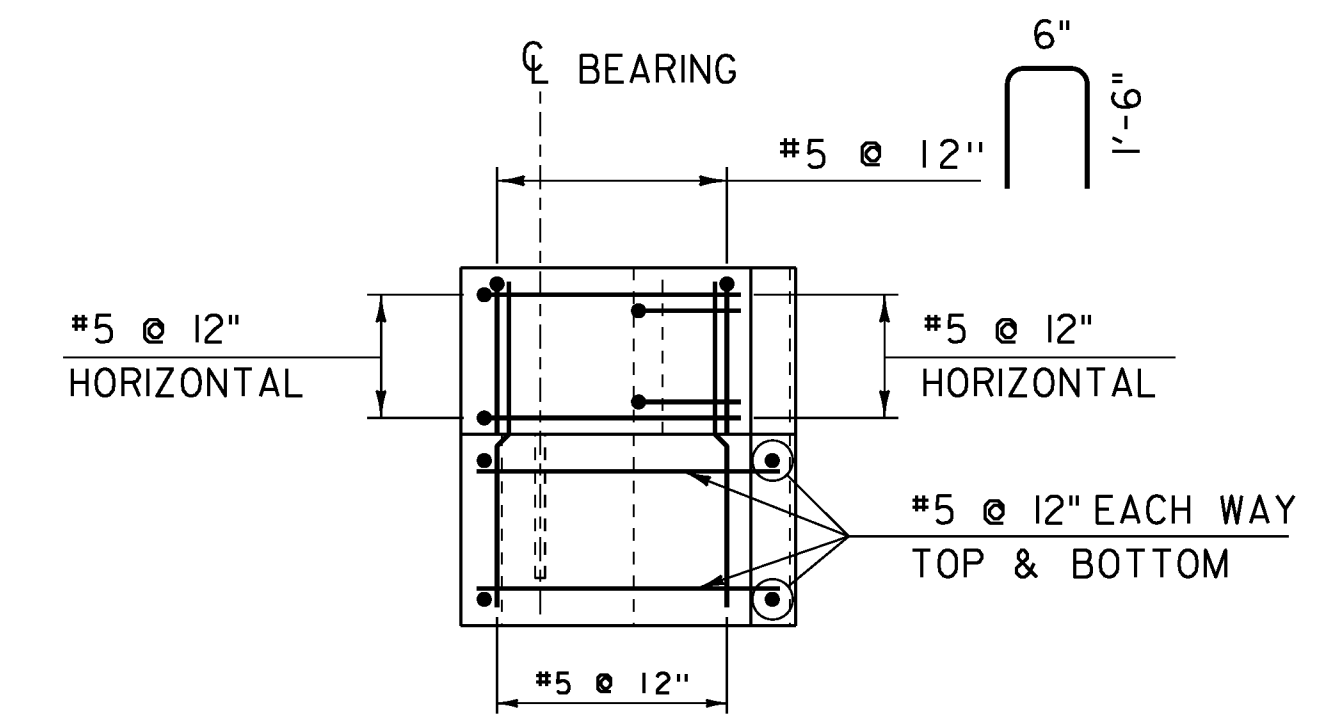
**SLEEPER SLAB I PLAN**

SCALE: 1/2" = 1'-0"



**SLEEPER SLAB I ELEVATION**

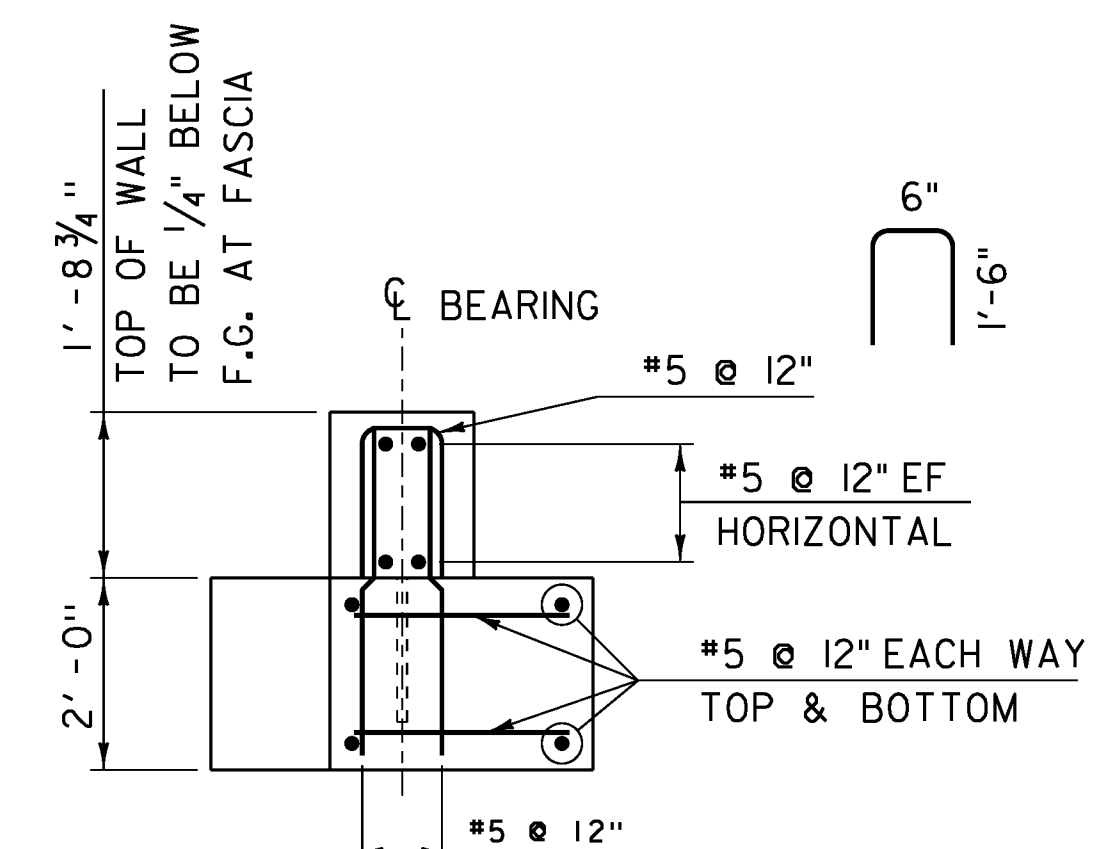
SCALE: 1/2" = 1'-0"



**TYPICAL SECTION E-E**

SCALE: 1/2" = 1'-0"

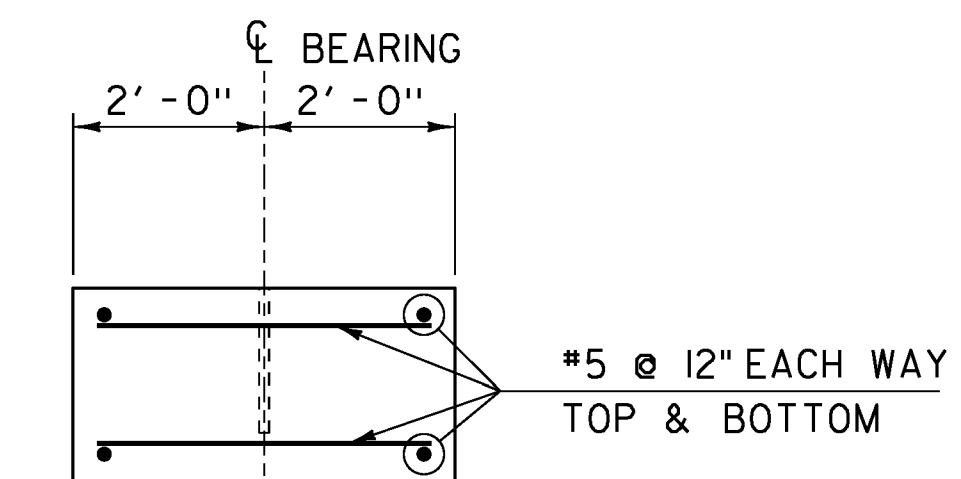
THIS SECTION TYPICAL FOR SLEEPER SLAB 1 & 2 THROUGH WING WALLS 1,2,3,4



**TYPICAL SECTION D-D**

SCALE: 1/2" = 1'-0"

THIS SECTION TYPICAL FOR SLEEPER SLAB 1 & 2 THROUGH WING WALL EARS 1,2,3,4



**TYPICAL SECTION C-C**

SCALE: 1/2" = 1'-0"

THIS SECTION TYPICAL FOR SLEEPER SLAB 1 & 2 THROUGH THE SLEEPER SLAB.

SEE SHEET 17 FOR SLEEPER SLAB AND WINGWALL NOTES.

**NOTE:**

- NF = NEAR FACE
  - FF = FAR FACE
  - EF = EACH FACE
  - ▲ = CUT TO FIT IN FIELD
- 3" CLEAR, UNLESS OTHERWISE SPECIFIED ON THE PLANS.  
 2'-2" BAR LAP UNLESS OTHERWISE SPECIFIED ON THE PLANS.

PROJECT NAME: MONTGOMERY  
 PROJECT NUMBER: BHO 1448(27)

FILE NAME: s96j306sub.dgn  
 PROJECT LEADER: C. CARLSON  
 DESIGNED BY: H. SALLS  
 SLEEPER SLAB I PLAN & ELEVATION

PLOT DATE: 21-NOV-2013  
 DRAWN BY: M. LONGSTREET  
 CHECKED BY: J. LACROIX  
 SHEET 16 OF 30