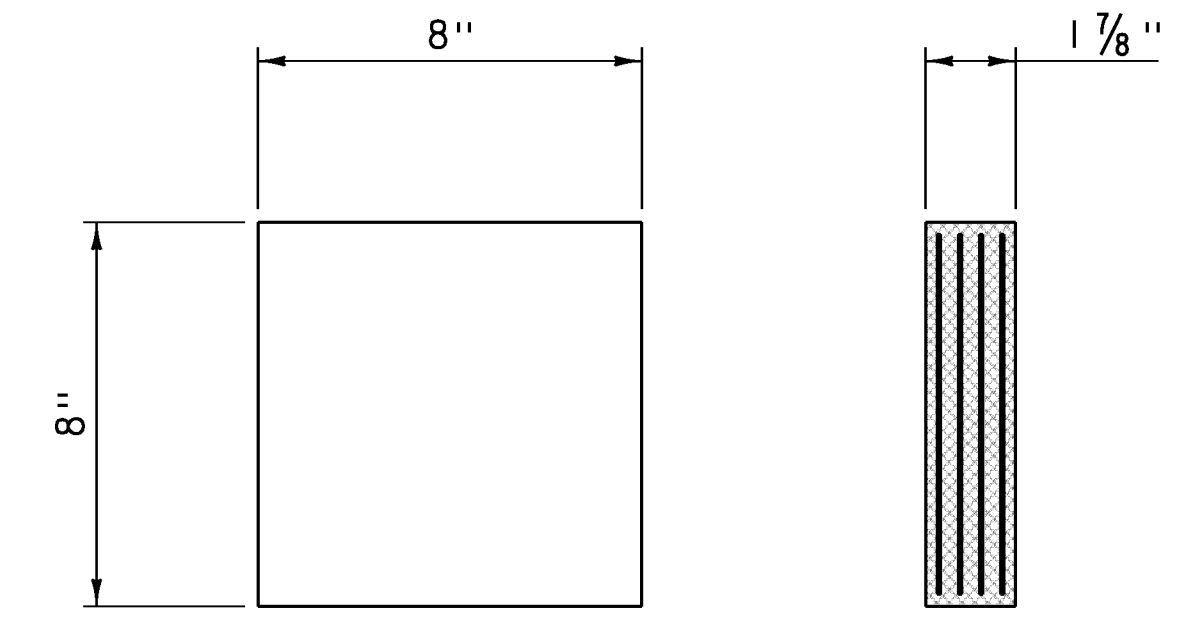


**TRANSVERSE TENDON CHUCK DETAIL**

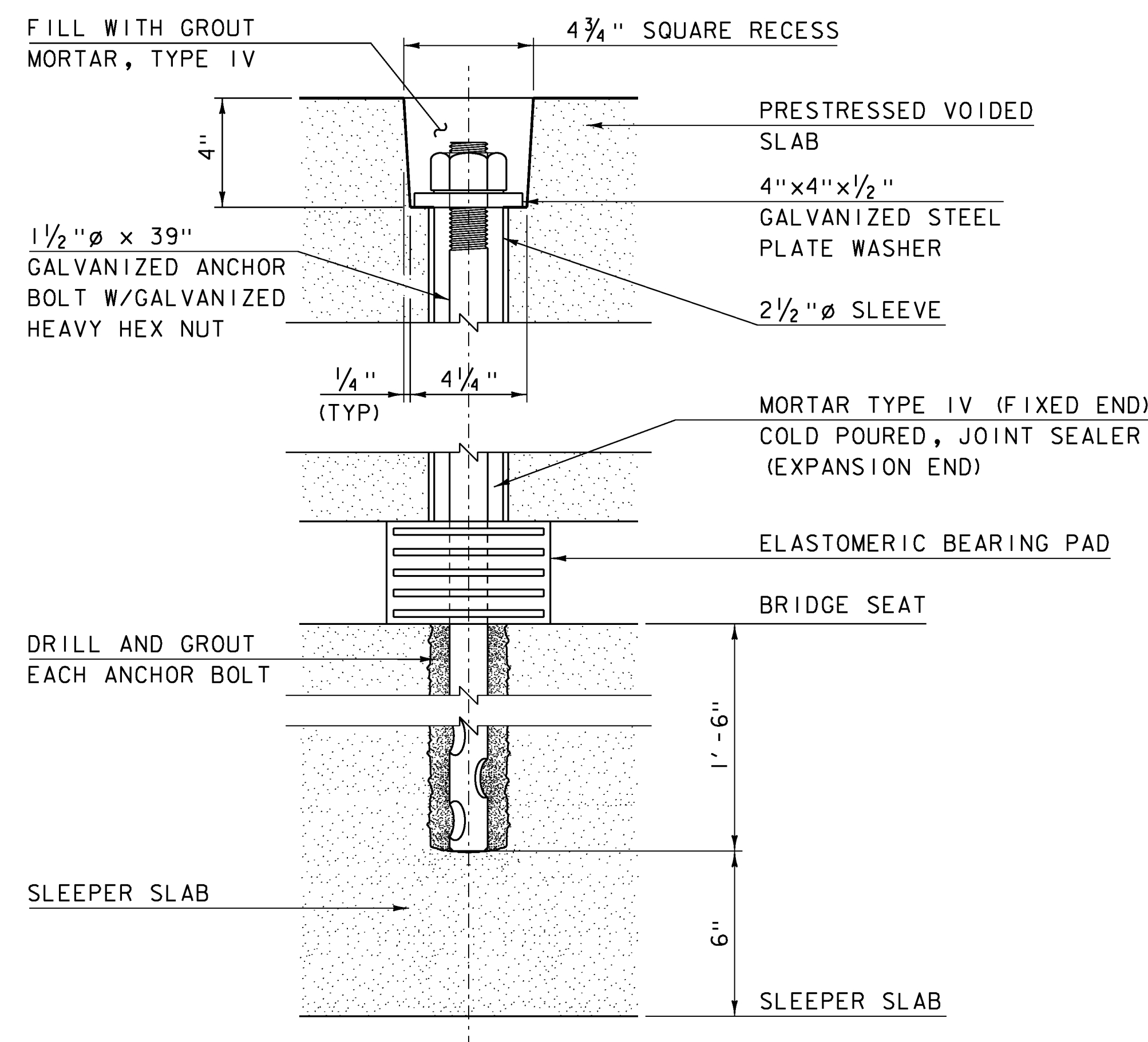
SCALE: 1 1/2" = 1'-0"



**ELASTOMERIC BEARING DETAIL**

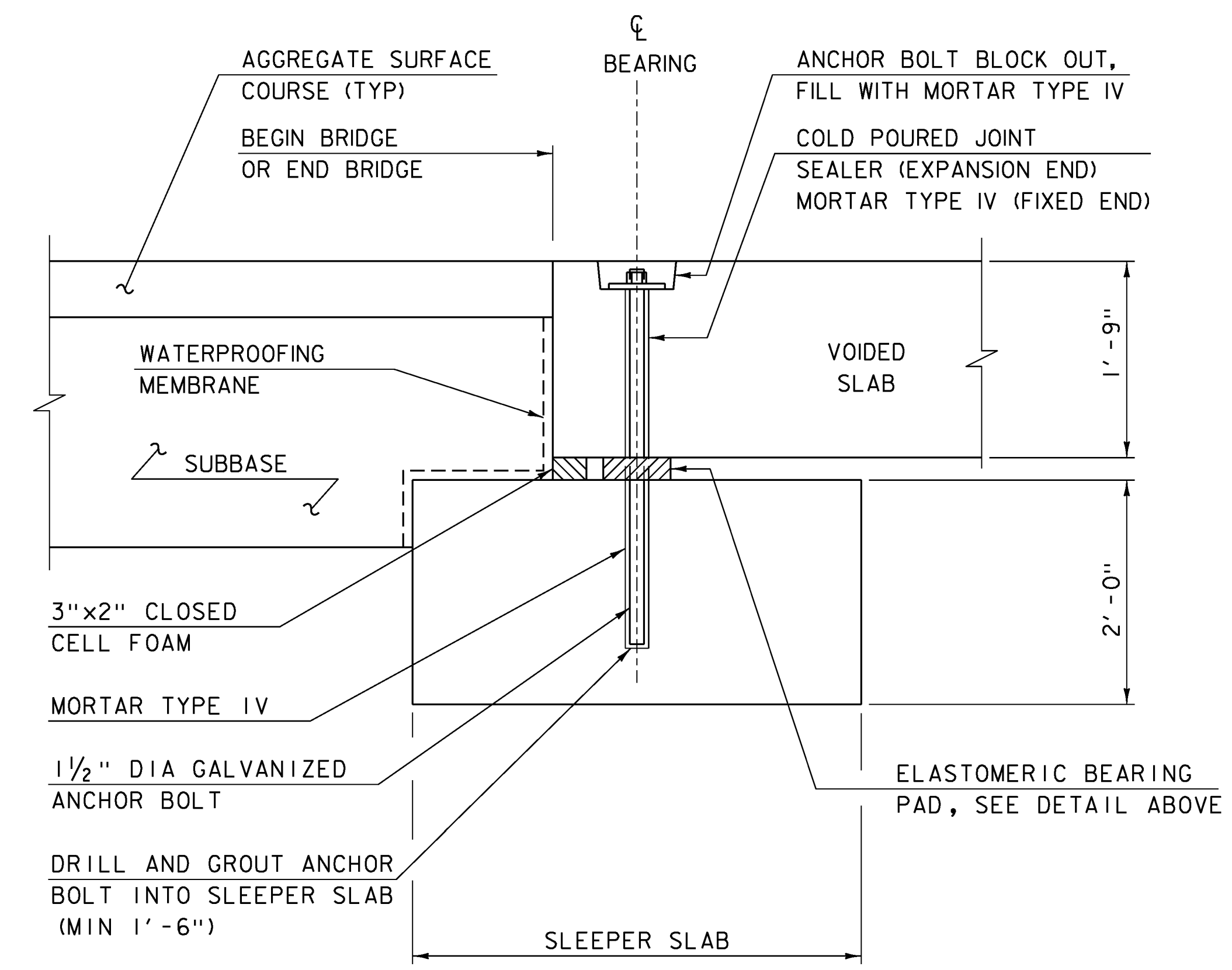
SCALE: 3" = 1'-0"

1/4" ELASTOMERIC OUTER LAYER (TOP, BOTTOM, AND SIDES)  
 (3) 3/8" LAYERS OF INTERIOR ELASTOMERIC ALTERNATING W/  
 (4) 1/16" STEEL REINFORCING PLATES



**ANCHOR BOLT DETAIL**

SCALE: 3" = 1'-0"



**BEGIN / END BRIDGE DETAIL**

SCALE: 1" = 1'-0"

PROJECT NAME: MONTGOMERY	PLOT DATE: 21-NOV-2013
PROJECT NUMBER: BHO 1448(27)	DRAWN BY: M. LONGSTREET
FILE NAME: s96j306sup.dgn	CHECKED BY: H. SALLS
PROJECT LEADER: C. CARLSON	SHEET 15 OF 30
DESIGNED BY: C. BURRALL	BEARING & MISCELLANEOUS DETAILS