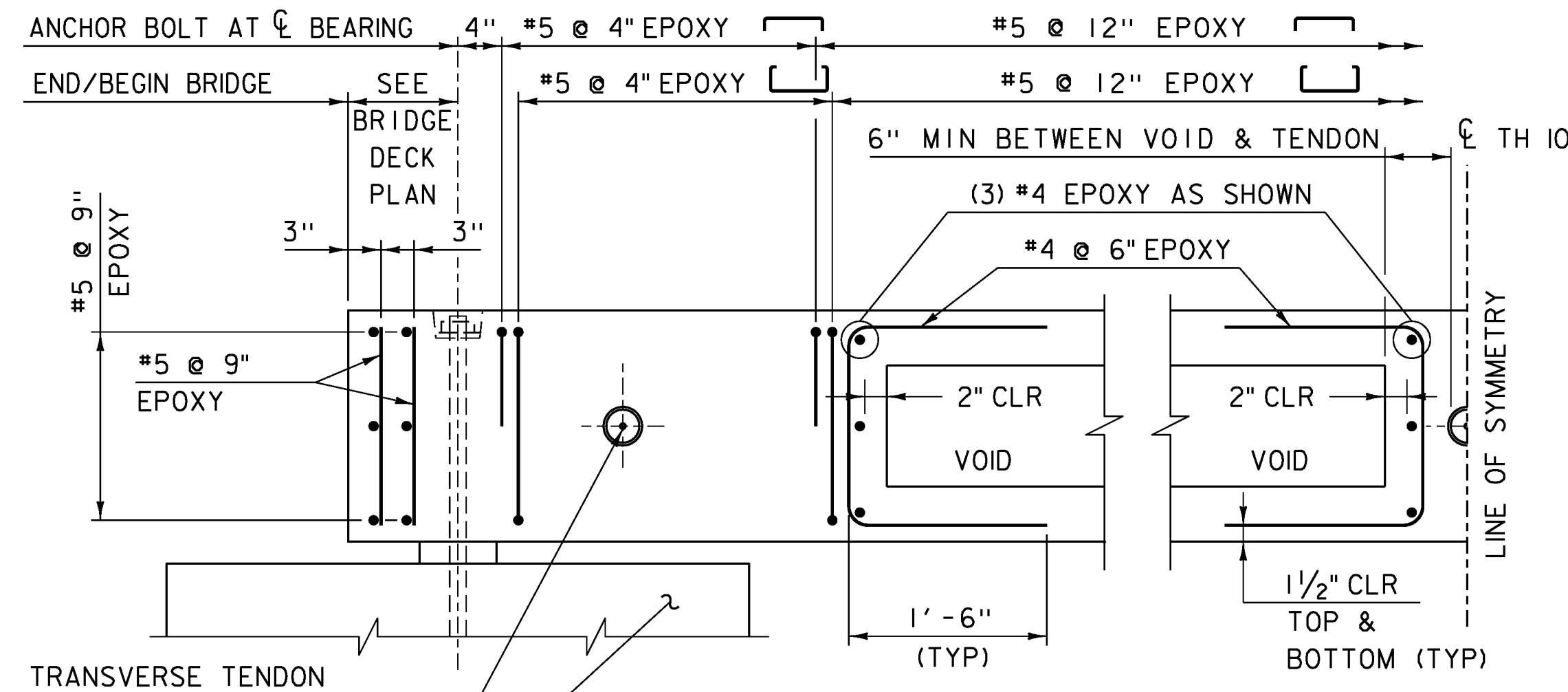


DECK UNIT TYPICAL PLAN

SCALE: 1/2" = 1'-0"

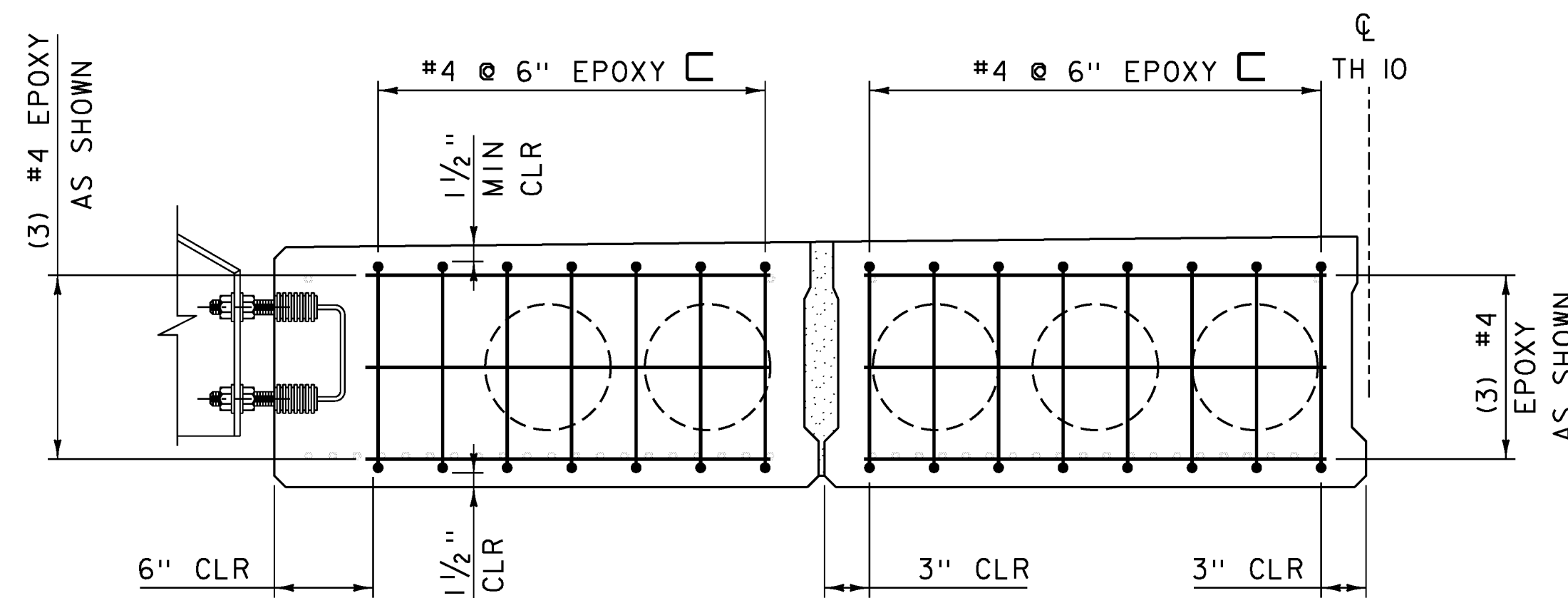
1. ALL SUPERSTRUCTURE REINFORCING STEEL SHALL BE LEVEL I EPOXY COATED.
2. REINFORCING STEEL SHOWN IN THIS PLAN IS TYPICAL FOR UNITS 1-4.



DECK SECTION B-B

SCALE: 1" = 1'-0"

SLEEPER SLAB, SEE SLEEPER SLAB PLAN & ELEVATION SHEETS FOR DETAIL

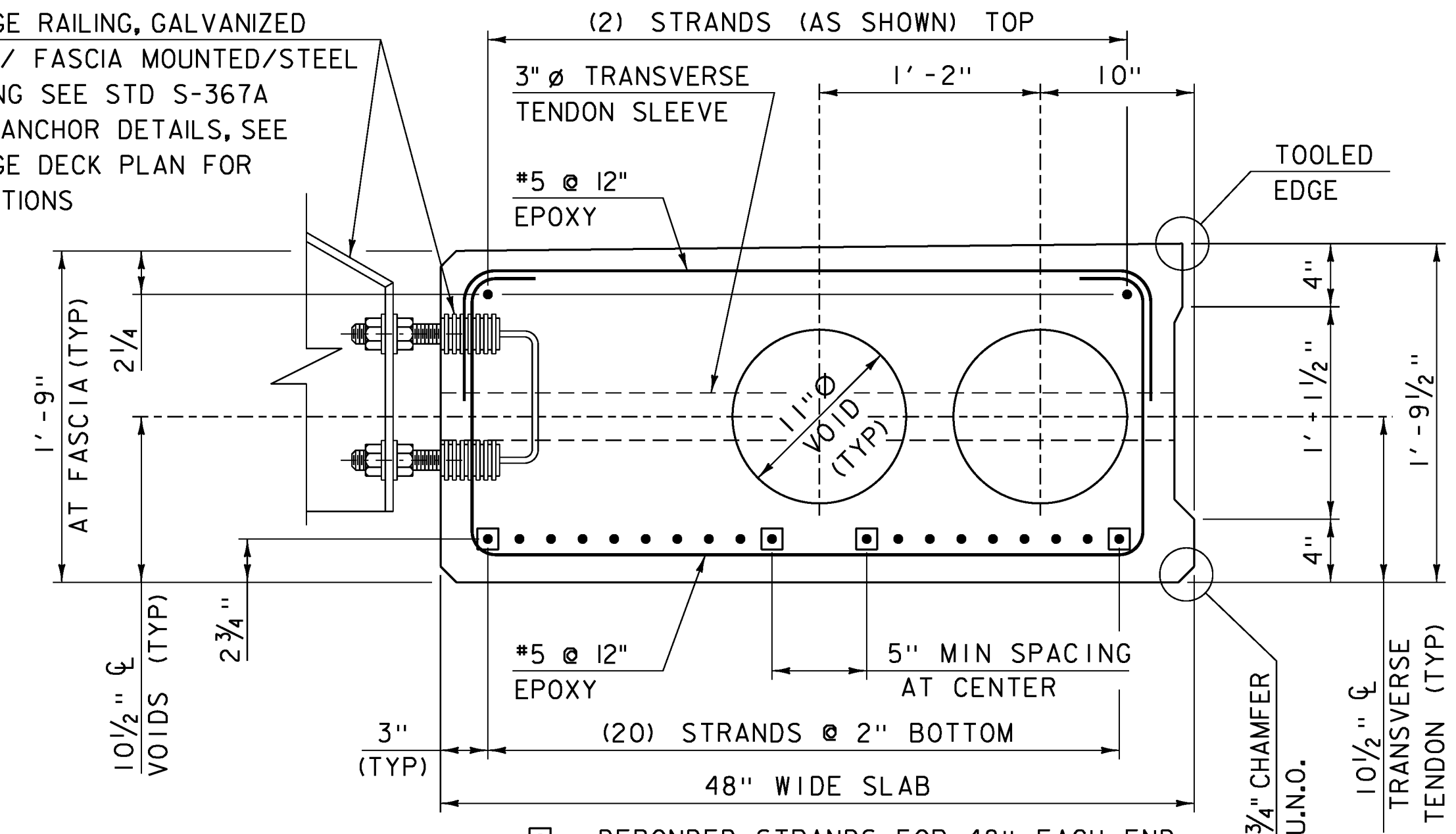


DECK SECTION A-A

SCALE: 1" = 1'-0"

1. UNIT #1 & #2 DRAWN ABOVE, UNIT #3 & #4 ARE A MIRROR IMAGE.
2. SECTION DRAWN NORMAL TO DECK, NOT AT SKEW, FOR CLARITY.
- 3.) REINFORCING STEEL SHOWN IN THIS SECTION IS REQUIRED AT EACH OF THE (4) LOCATIONS WHERE END OF VOIDS ARE LOCATED, IN EACH SLAB UNIT,

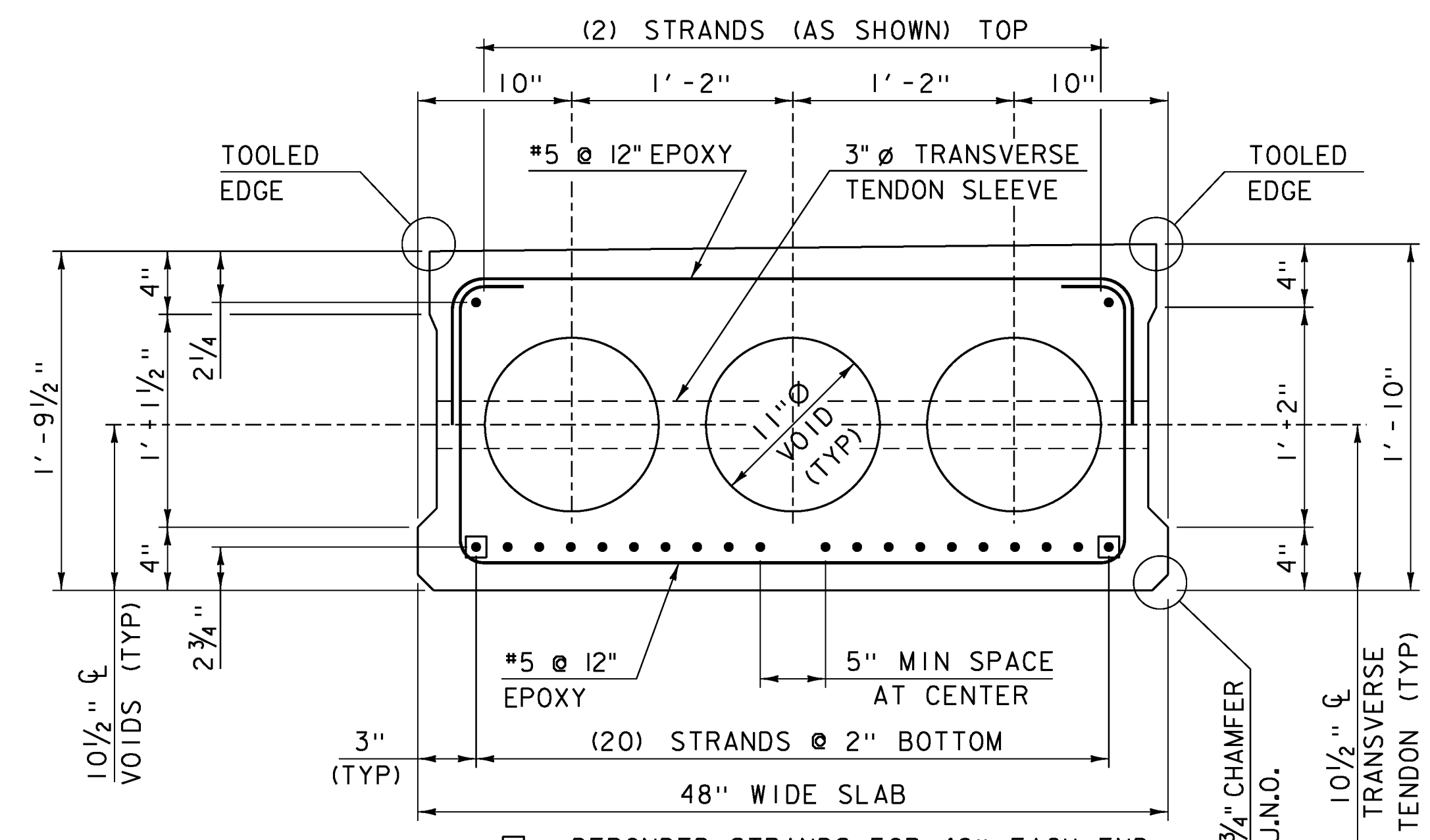
BRIDGE RAILING, GALVANIZED HDSB/ FASCIA MOUNTED/STEEL TUBING SEE STD S-367A FOR ANCHOR DETAILS, SEE BRIDGE DECK PLAN FOR LOCATIONS



UNIT #1 & #4 SLAB DETAIL

SCALE: 1/2" = 1'-0"

□ = DEBONDED STRANDS FOR 48" EACH END U.N.O. = UNLESS NOTED OTHERWISE



UNIT #2 & #3 SLAB DETAIL

SCALE: 1/2" = 1'-0"

□ = DEBONDED STRANDS FOR 48" EACH END U.N.O. = UNLESS NOTED OTHERWISE

PROJECT NAME: MONTGOMERY
PROJECT NUMBER: BHO 1448(27)

FILE NAME: s96j306sup.dgn
PROJECT LEADER: C. CARLSON
DESIGNED BY: C. BURRALL
VOIDED SLAB UNIT DETAILS

PLOT DATE: 21-NOV-2013
DRAWN BY: M. LONGSTREET
CHECKED BY: H. SALLS
SHEET 14 OF 30