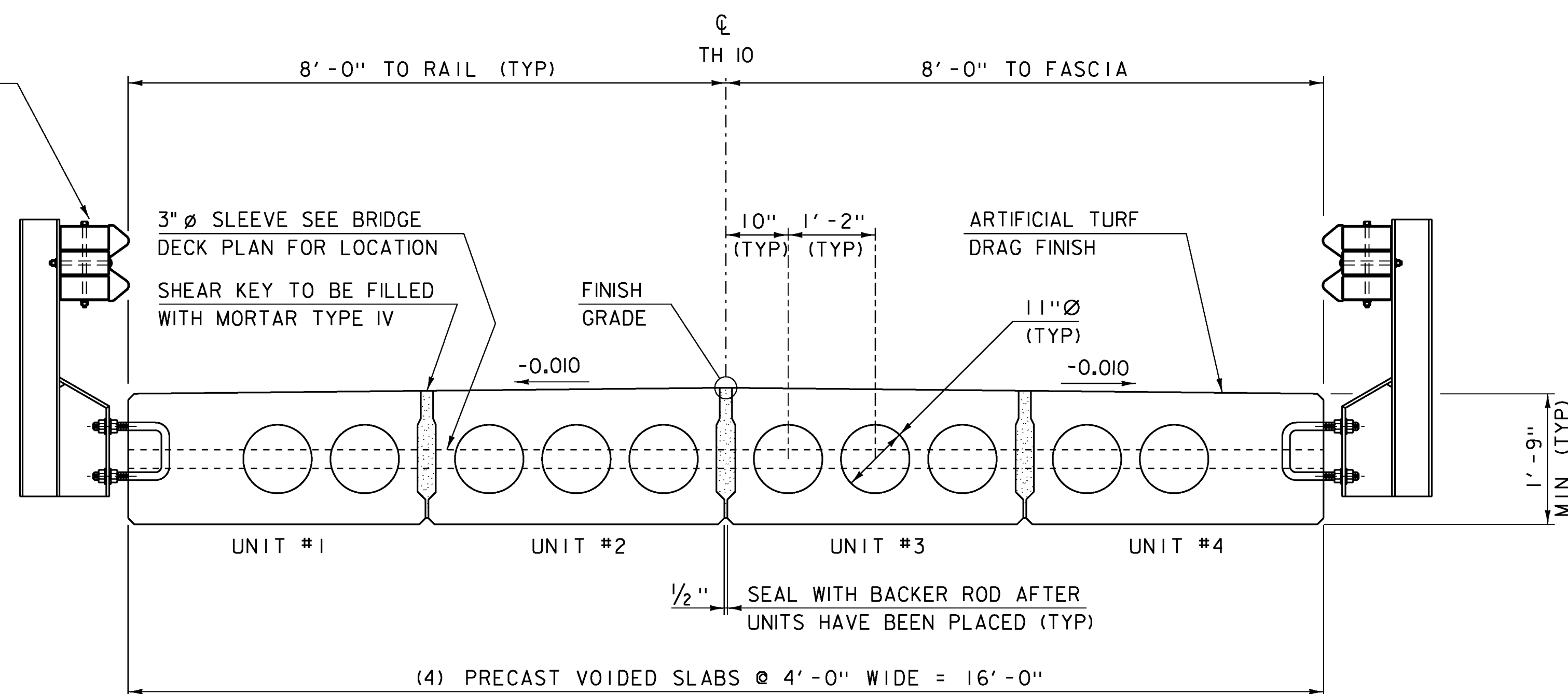


**BRIDGE DECK NOTES:**

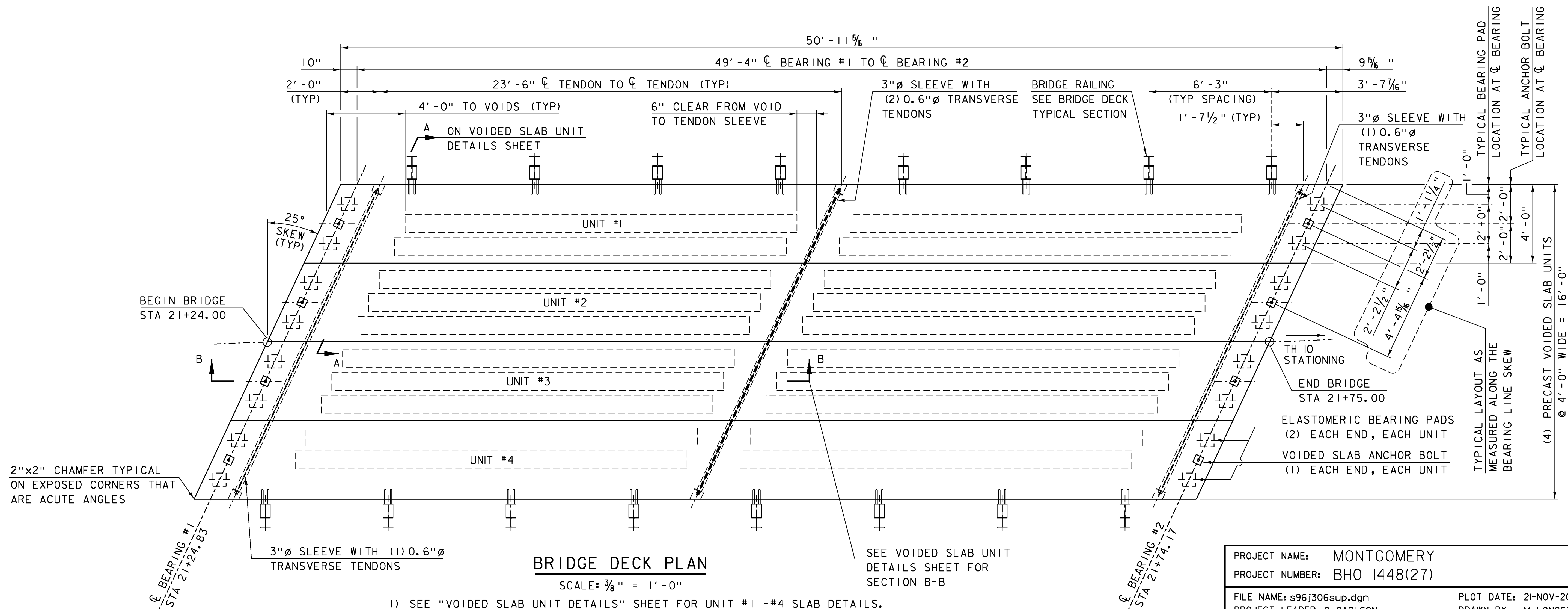
1. THE FABRICATOR SHALL DESIGN AND LOCATE LIFTING ANCHORS FOR EACH VOIDED SLAB UNIT. THE LIFTING ANCHORS SHALL BE REMOVED AFTER ERECTION. THE ANCHORS SHALL BE COVERED WITH A MINIMUM OF 2" OF MORTAR TYPE IV. THE ANCHORS SHALL BE GALVANIZED OR STAINLESS STEEL; ANY DAMAGE TO ANY COATINGS SHALL BE REPAIRED AS PER MANUFACTURERS SPECIFICATION PRIOR TO COVERING.

BRIDGE RAILING, GALVANIZED  
HDSB/ FASCIA MOUNTED/STEEL  
TUBING (STD S-367A)



**BRIDGE DECK TYPICAL SECTION**

SCALE: 3/4" = 1'-0"



**BRIDGE DECK PLAN**

SCALE: 3/8" = 1'-0"

- 1) SEE "VOIDED SLAB UNIT DETAILS" SHEET FOR UNIT #1 -#4 SLAB DETAILS.
- 2) ALL SUPERSTRUCTURE REINFORCING STEEL SHALL BE LEVEL 1 EPOXY COATED.

PROJECT NAME: MONTGOMERY

PROJECT NUMBER: BHO 1448(27)

FILE NAME: s96j306sup.dgn

PROJECT LEADER: C. CARLSON

DESIGNED BY: C. BURRALL

DECK TYPICAL & PLAN

PLOT DATE: 21-NOV-2013

DRAWN BY: M. LONGSTREET

CHECKED BY: H. SALLS

SHEET 13 OF 30