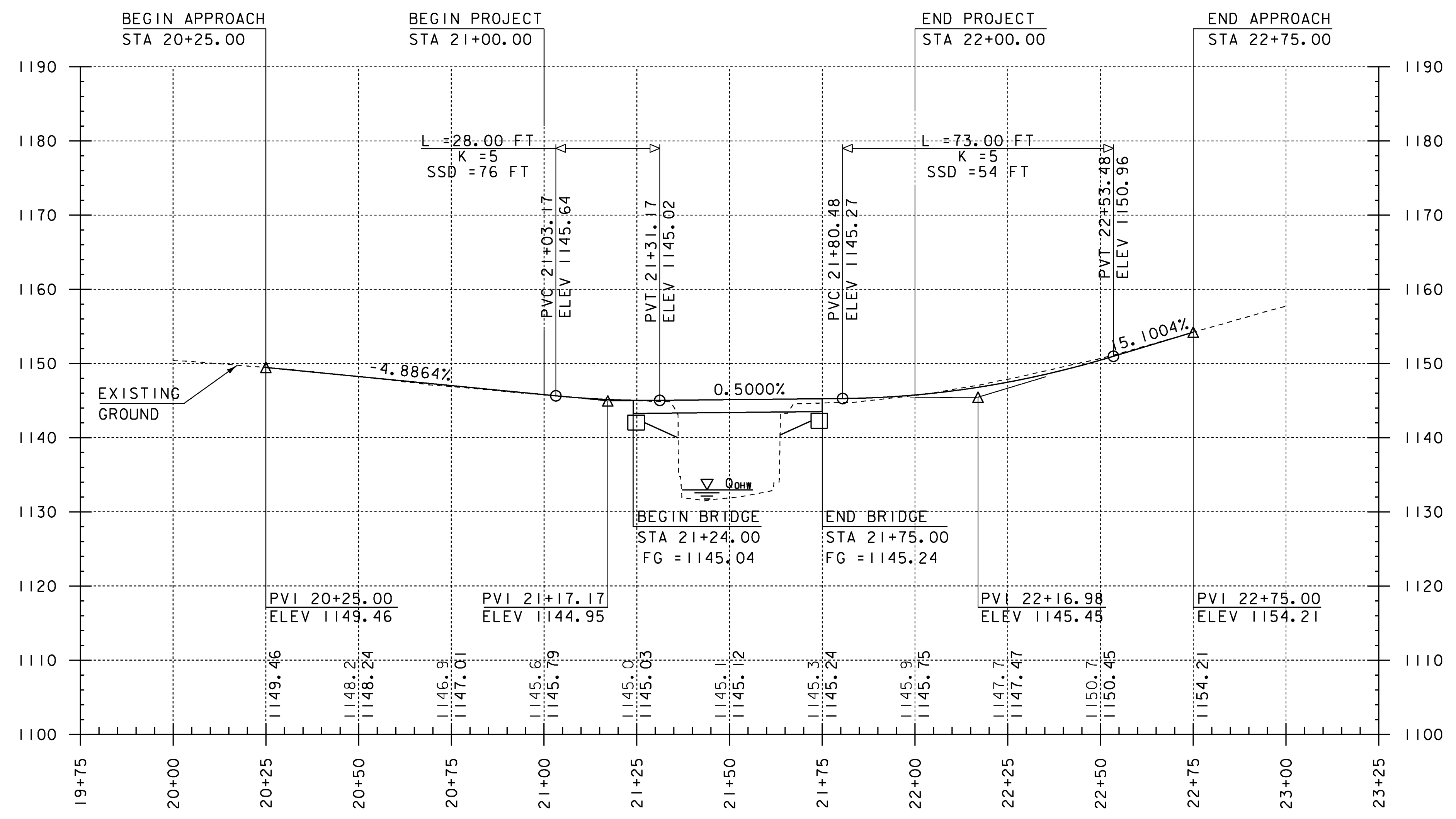
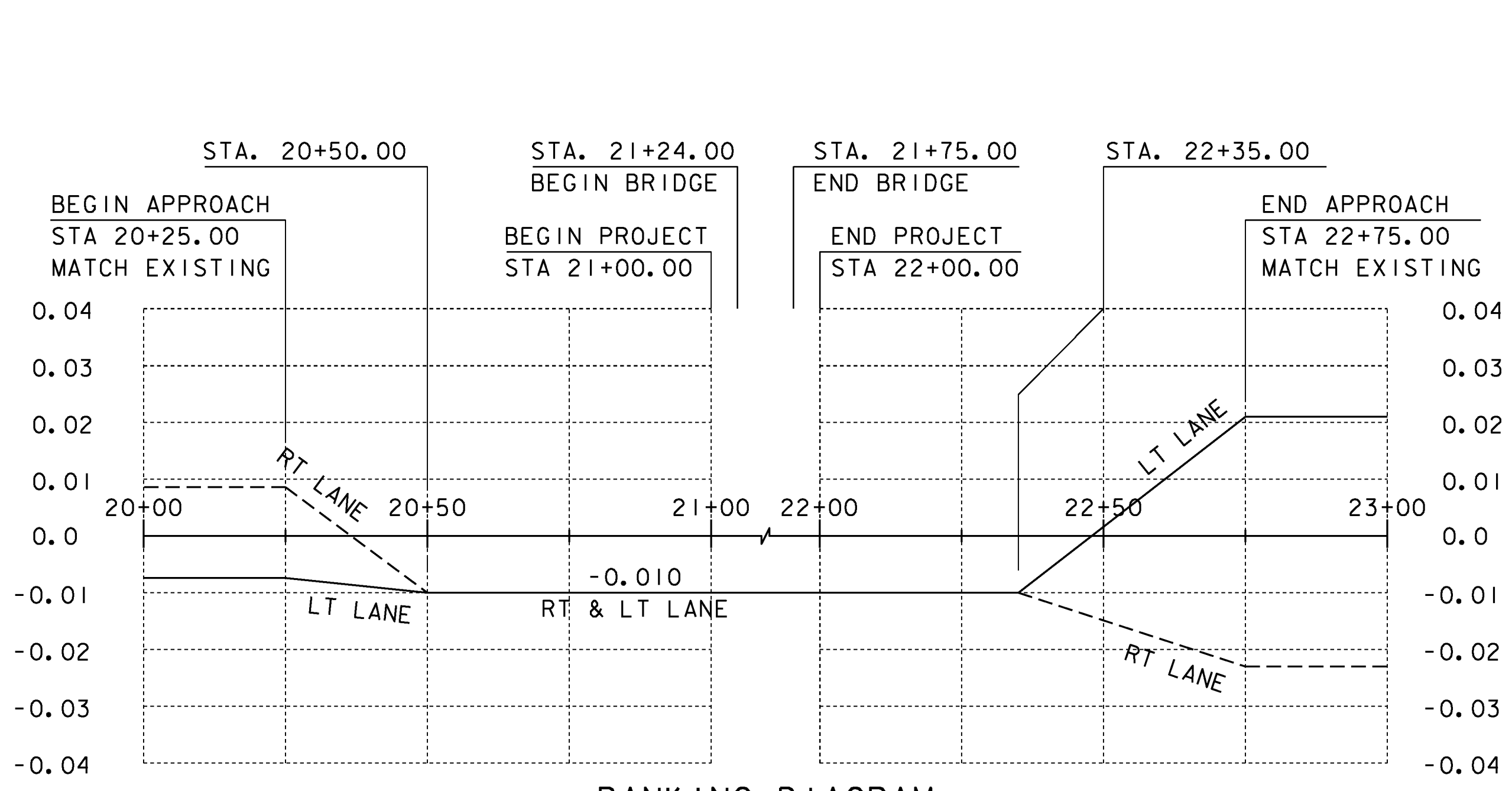


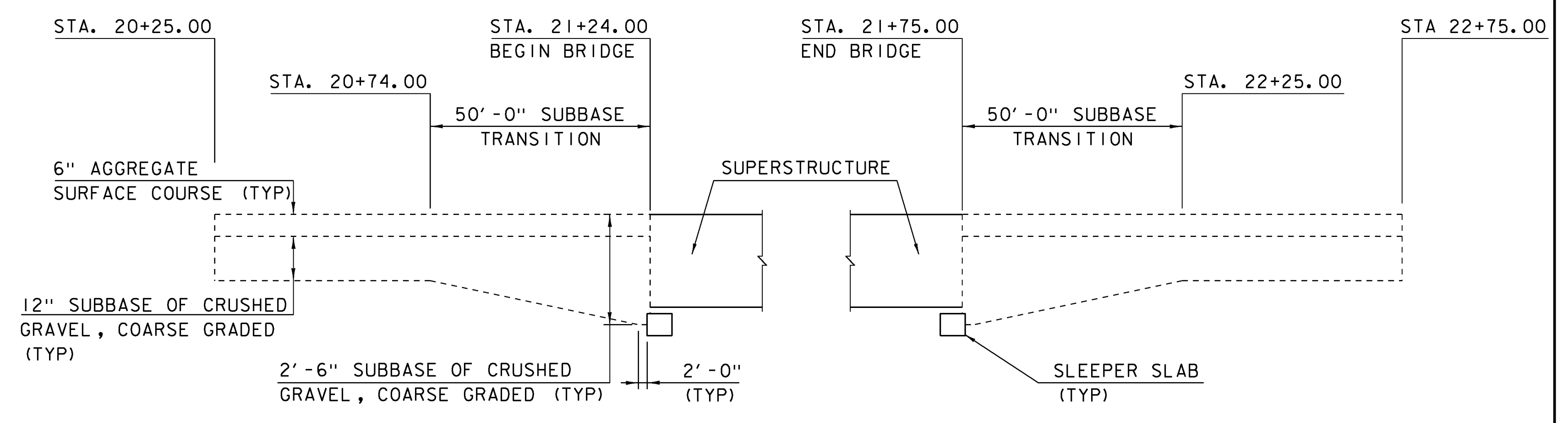
THE GRADES SHOWN TO THE NEAREST TENTH ARE THE ORIGINAL GROUND ELEVATIONS ALONG THE PROPOSED ALIGNMENT.
 THE GRADES SHOWN TO THE NEAREST HUNDREDTH ARE THE FINISH GRADES ALONG THE PROPOSED ALIGNMENT.



TH 10 PROFILE
 SCALE: HORIZONTAL 1" = 20'-0"
 SCALE: VERTICAL 1" = 10'-0"



BANKING DIAGRAM
 HOR. SCALE 1" = 20'-0"
 NO VERT. SCALE



SUBBASE TRANSITION DETAIL
 N. T. S.

| | | | |
|-------------------|----------------|--------------|-------------|
| PROJECT NAME: | MONTGOMERY | PLOT DATE: | 21-NOV-2013 |
| PROJECT NUMBER: | BHO 1448(27) | DRAWN BY: | R. PELLET |
| FILE NAME: | s96j306pro.dgn | DESIGNED BY: | H. SALLS |
| PROJECT LEADER: | C. CARLSON | CHECKED BY: | J. LACROIX |
| PROFILE & DETAILS | | SHEET | II OF 30 |