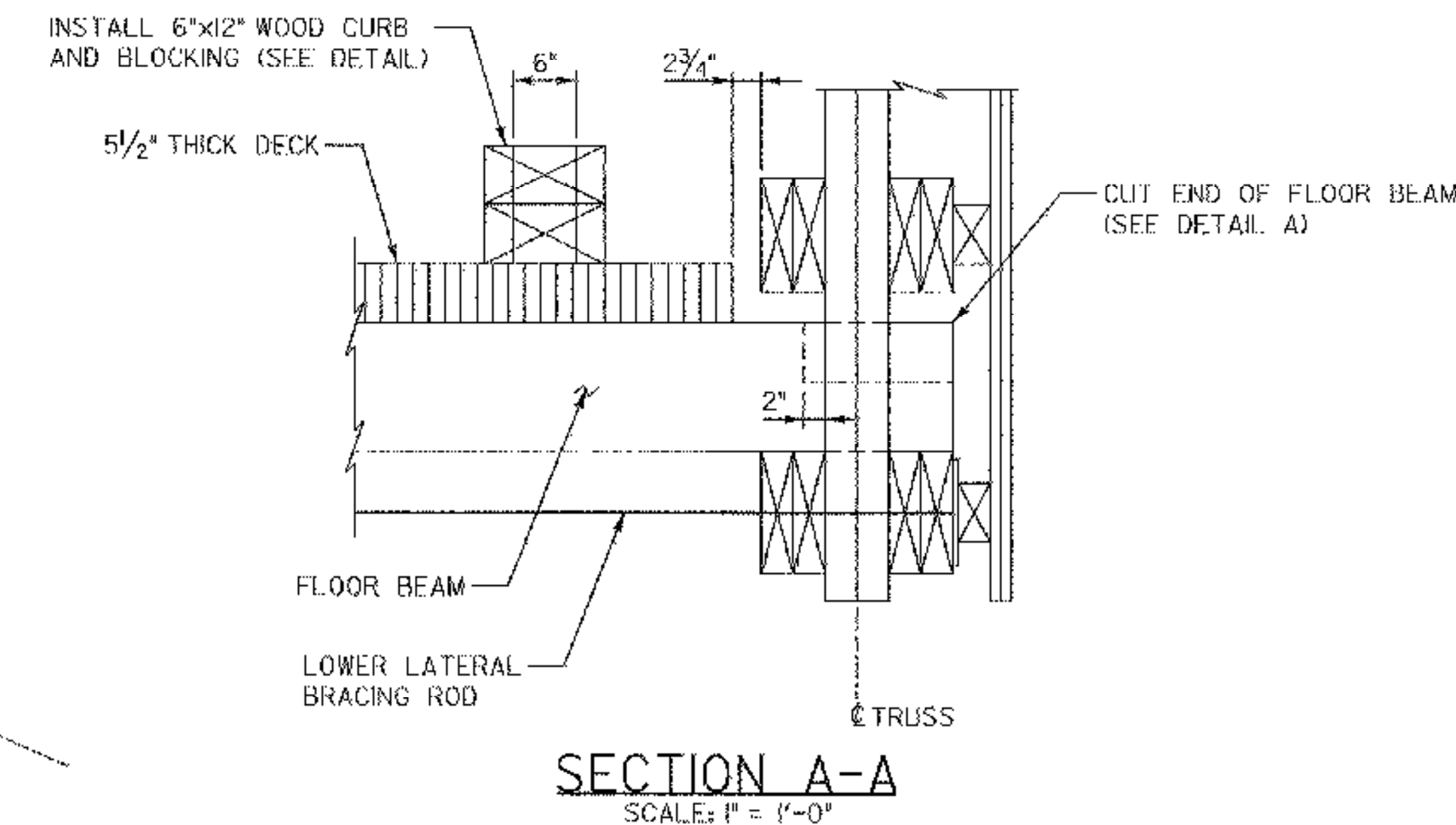
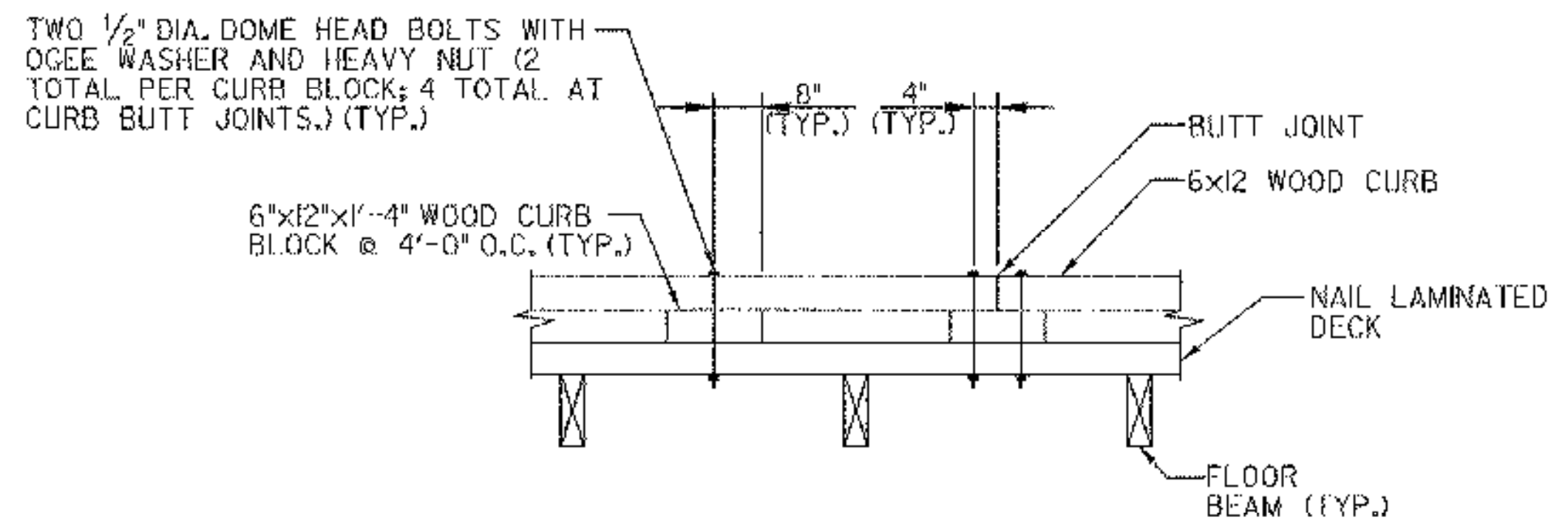


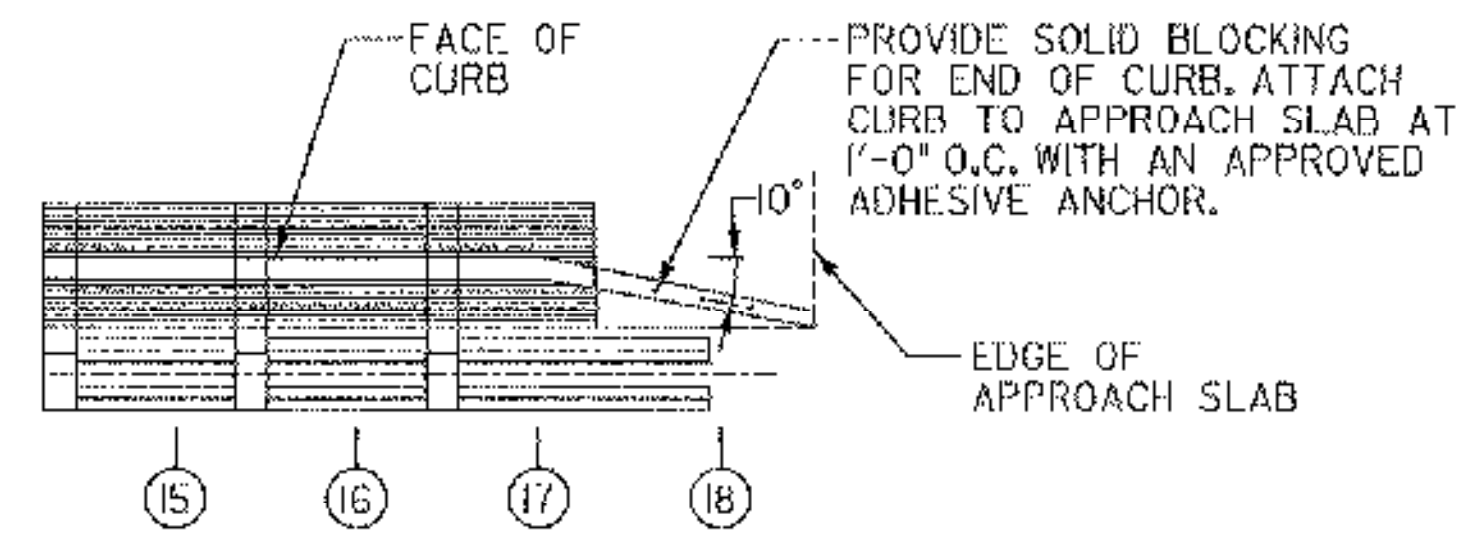
FLOOR FRAMING
SCALE: 1/4" = 1'-0"



SECTION A-A
SCALE: 1" = 1'-0"



CURB ATTACHMENT DETAIL
SCALE: 1/2" = 1'-0"



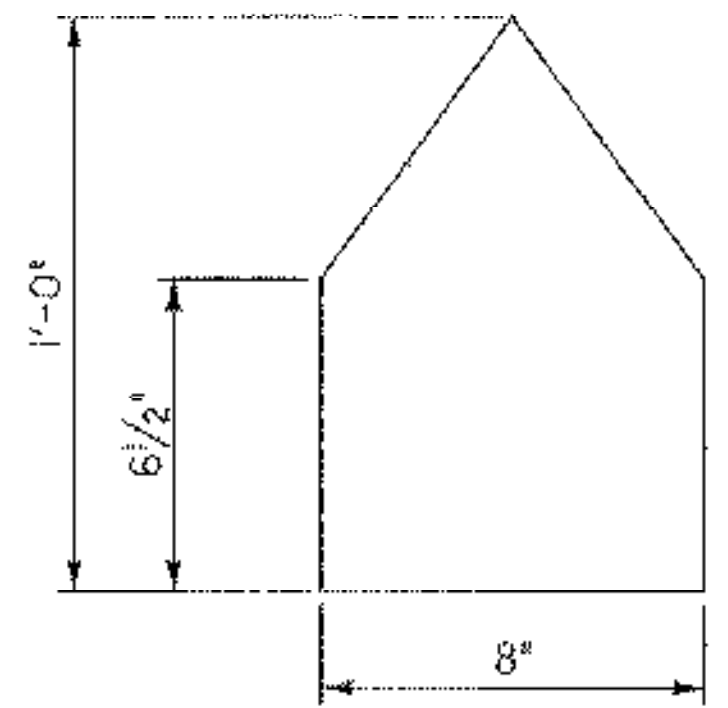
DETAIL B
SCALE: 1/4" = 1'-0"

PLAN NOTES:

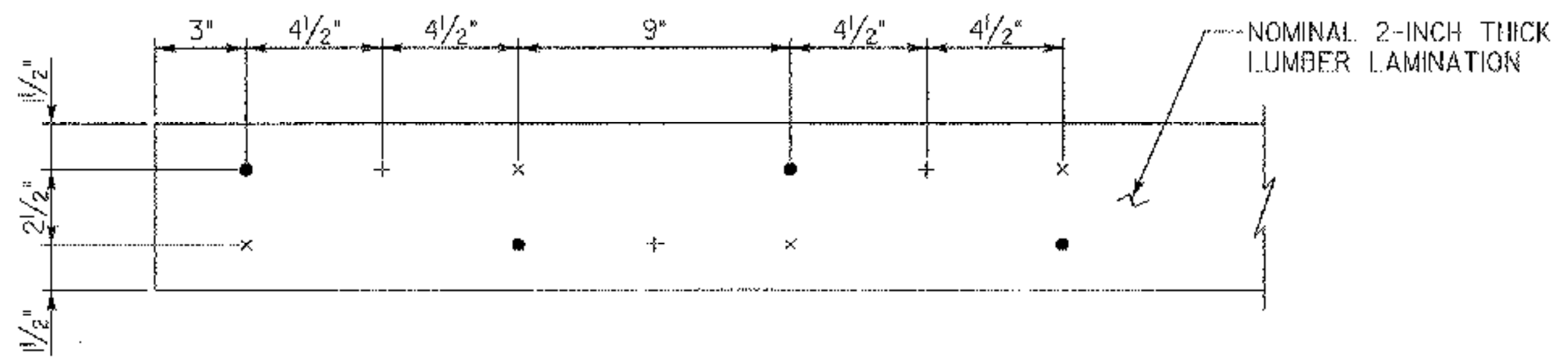
1. REMOVE THE EXISTING FLOOR BEAMS, DECKING AND LONGITUDINAL FLOOR BEAM SUPPORTS IN THEIR ENTIRETY AND REPLACE AS DETAILED ON THIS SHEET.
2. CHORD 4 OF EACH TRUSS AND ALL TRUNNELS THROUGH IT SHALL BE REMOVED IN THEIR ENTIRETY TO FACILITATE MEMBER INSPECTION AND NEW FLOOR BEAM INSTALLATION.
3. SEE SPECIFICATIONS FOR NAIL LAMINATED DECKING DETAILS.

LEGEND

① TRUSS NODE.

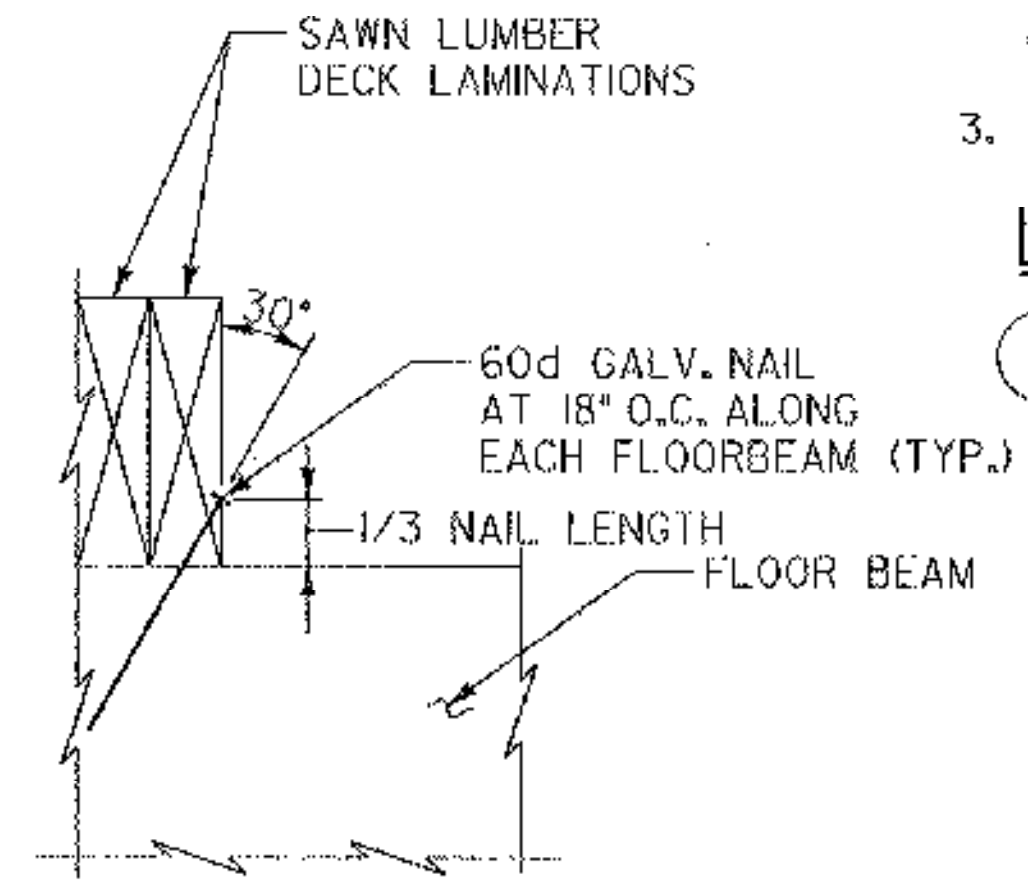


DETAIL A
SCALE: 3" = 1'-0"



● INDICATES NAILS IN FIRST LAMINATION
+ INDICATES NAILS IN SECOND LAMINATION
x INDICATES NAILS IN THIRD LAMINATION

DECK NAILING PATTERN
SCALE: 3" = 1'-0"



DECK ATTACHMENT DETAIL
SCALE: 3" = 1'-0"

STATE OF VERMONT AGENCY OF TRANSPORTATION			
Town Of	MONTGOMERY	Bridge No.	41
Highway No.	42	Log Sta.	---
		Surv. Sta.	---
COMSTOCK COVERED BRIDGE			
FLOOR FRAMING PLAN			
Designed By	J.W. ROCKWELL	Drawn By	J.D. GEER
Checked By	ST. JAMES	Bridge Design Supervisor	---
PROJECT	MONTGOMERY	Date	1-2003
PROJECT NO.	BHO 1448(26)	Date	---
LOG. INFO.	---	PROJECT NO.	BHO 1448(26)
Bridge Sheet No.	9	PROJECT NO.	BHO 1448(26)
		Sheet	9 of 18