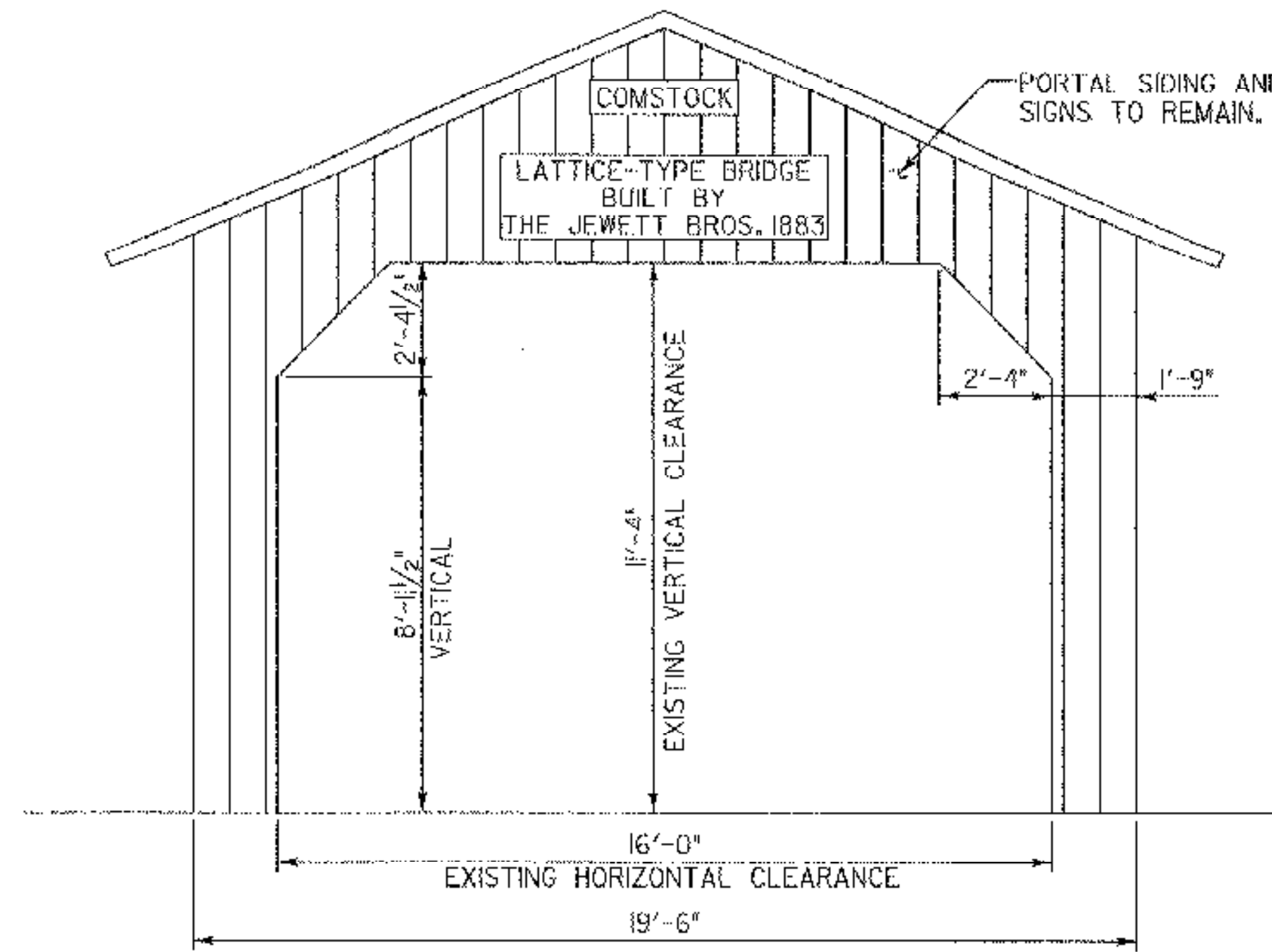


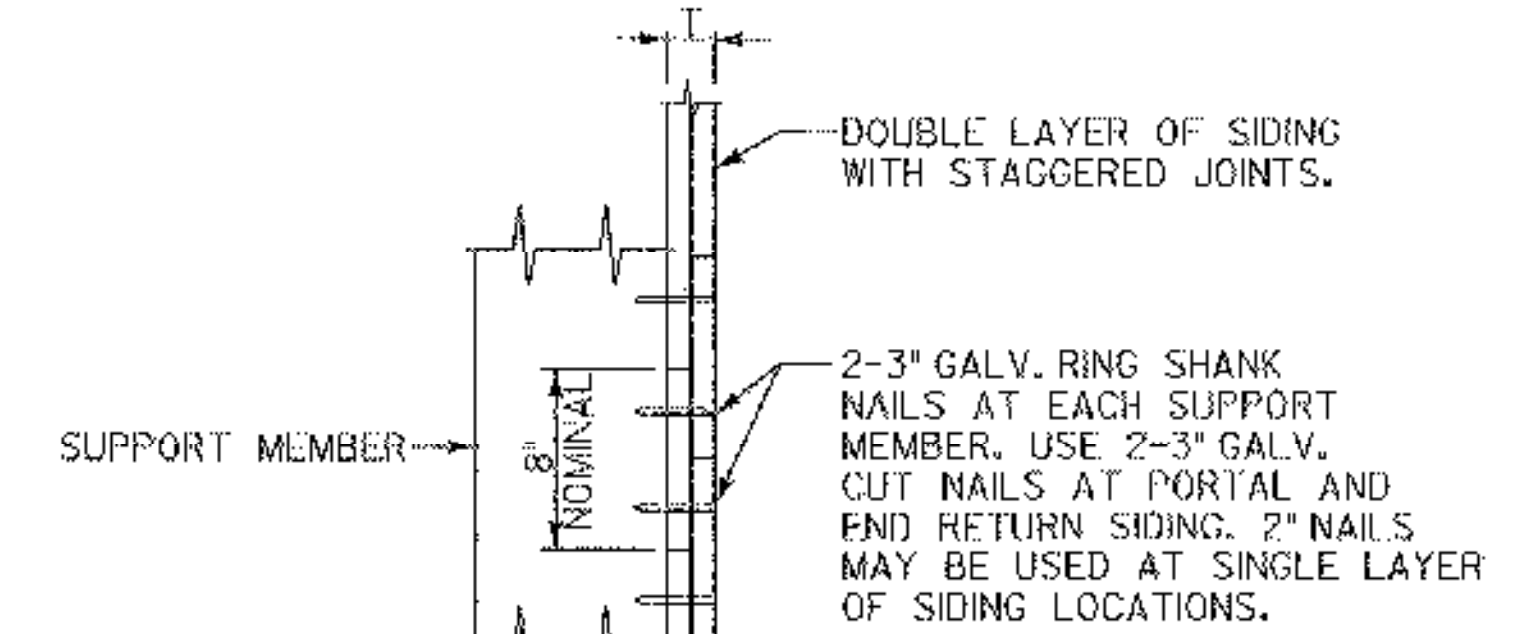
**EXISTING TYPICAL SECTION**  
SCALE: 3/8" = 1'-0"



**EXISTING PORTAL SECTION**  
(EAST PORTAL SHOWN, WEST PORTAL SIMILAR)  
SCALE: 3/8" = 1'-0"

**PLAN NOTES:**

1. APPLY FIRE RETARDANT AND INSECTICIDE/FUNGICIDE COATINGS TO WOODEN BRIDGE MEMBERS AS OUTLINED IN SPECIFICATIONS.
2. SIDING IS TO BE REMOVED INTACT AND STORED ON-SITE. FOR REINSTALLATION AFTER COMPLETION OF TRUSS REPAIRS. SIDING THAT IS NOT SALVAGEABLE SHALL BE REPLACED. NEW SIDING BOARDS SHALL CONSIST OF SINGLE VERTICAL PIECES IN ALL LOCATIONS. HORIZONTAL JOINTS IN THE SIDING WILL NOT BE ALLOWED.
3. SEVERE RACKING EXISTS IN PORTAL SECTIONS. PORTALS ARE TO BE PLUMBED AND STRAIGHTENED.



**SIDING DETAIL**  
SCALE: 1/2" = 1'-0"

**WORKING STRESS LOAD RATING (TONS)**  
(FLOOR BEAMS CONTROL LOAD RATING)

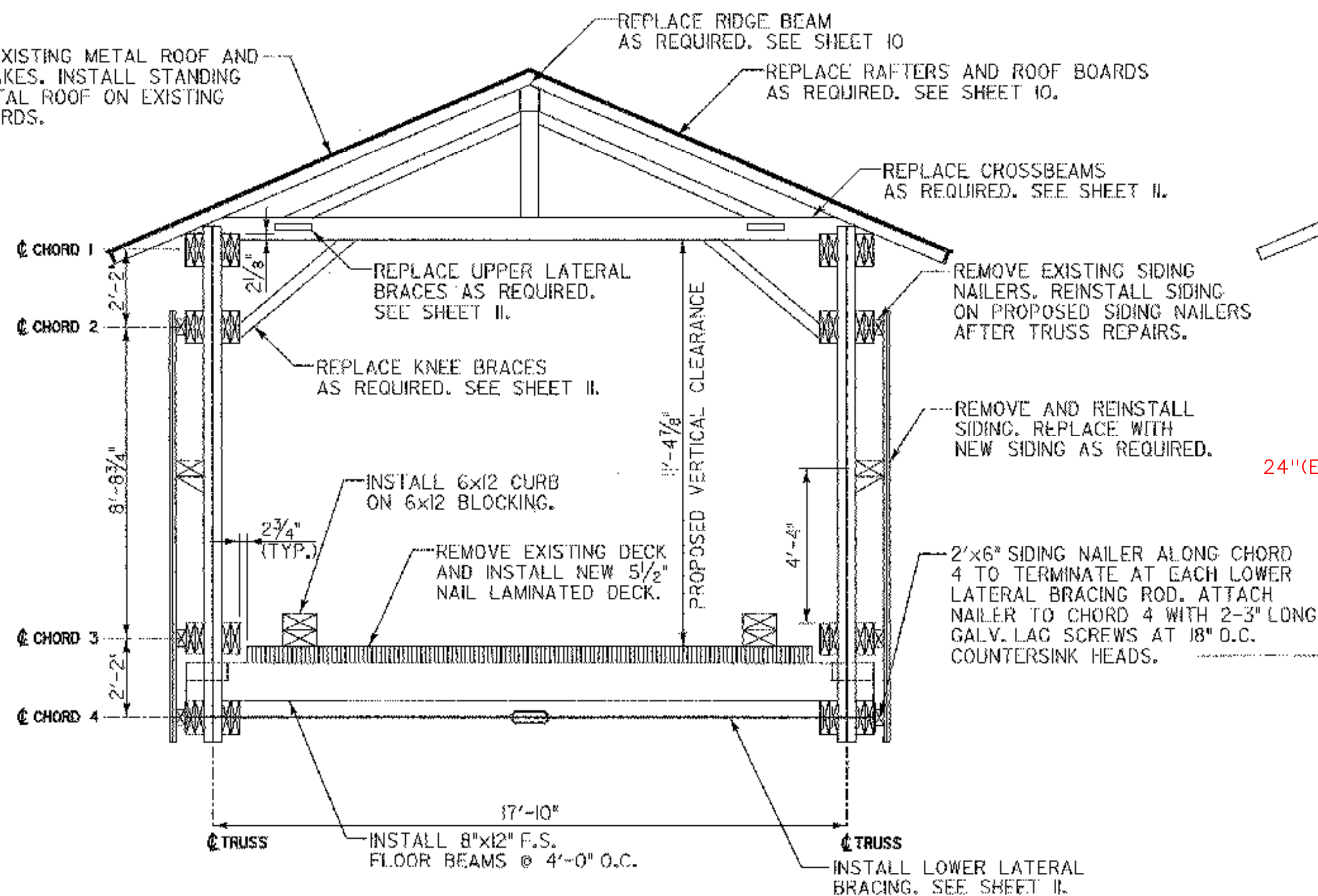
STRESS LEVELS	TRUCK						
	H (6)	HS (20)	3S2	6 AXLE	3A STR	4A STR	5A SEMI
INVENTORY	6.3						
POSTED (89% OF OPERATING)	7.6						
OPERATING							

**EXISTING STRUCTURE:**

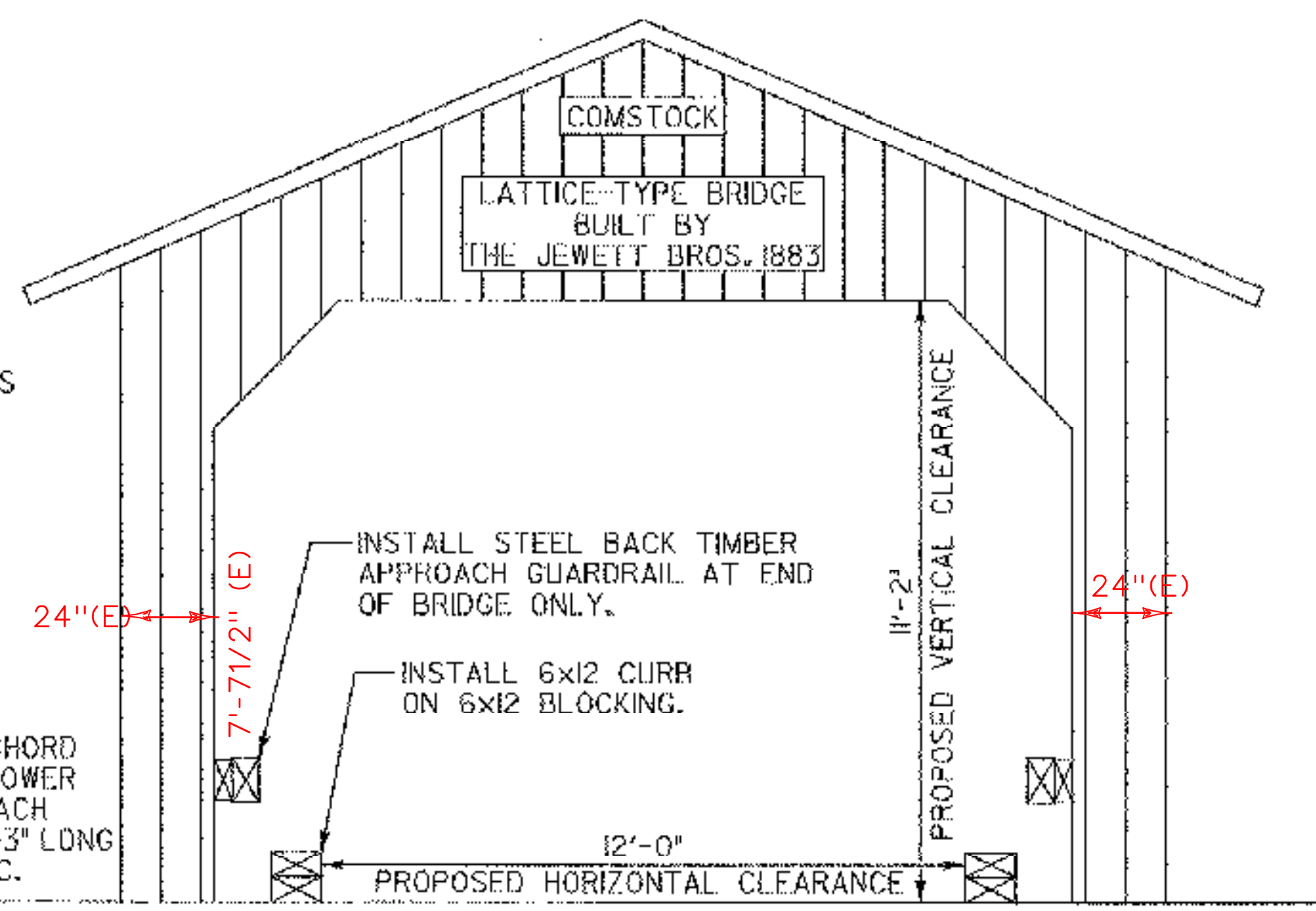
STRUCTURE TYPE: SINGLE SPAN TIMBER COVERED BRIDGE, YEAR BUILT: 1883  
 CLEAR SPAN (NORMAL TO STREAM): 64'-11 1/2"  
 VERTICAL CLEARANCE ABOVE STREAMBED: VARIES 16 FT. +/- MAX.  
 TYPE OF MATERIAL UNDER SUBSTRUCTURE: PRIMARILY LEDGE  
 WATER SURFACE ELEVATION: VARIES  
 LONG TERM STREAM BED CHANGES: NONE  
 IS THE ROADWAY OVERTOPPED BELOW THE O100? YES FREQUENCY: N/A  
 RELIEF ELEVATION: NO DISCHARGE OVER ROAD O100: NONE

**DESIGN CRITERIA:**

1. DESIGN LIVE LOAD AASHTO: HG
2. DESIGN SPAN: 68 FEET
3. ALLOWABLE LOAD FOR SPREAD FOOTINGS ON SOIL: N/A ON LEDGE: N/A
4. ALLOWABLE LOAD FOR PILING: N/A TYPE: N/A ESTIMATED LENGTH: N/A
5. STRUCTURAL STEEL AASHTO GRADE: N/A
6. REINFORCING STEEL GRADE: 60
7. CONCRETE CLASS B (HPCA) f'c: 3500 PSI



**PROPOSED TYPICAL SECTION**  
SCALE: 3/8" = 1'-0"



**PROPOSED PORTAL SECTION**  
(EAST PORTAL SHOWN, WEST SIMILAR)  
SCALE: 3/8" = 1'-0"



**STATE OF VERMONT**  
**AGENCY OF TRANSPORTATION**

Town Of <b>MONTGOMERY</b>	Bridge No. <b>41</b>
Highway No. <b>42</b>	Log Sta. <b>—</b>
<b>COMSTOCK COVERED BRIDGE</b>	
<b>PRELIMINARY INFORMATION</b>	
Designed By <b>JW. ROCKWELL</b>	Drawn By <b>J.D. BEER</b>
Checked By <b>ST. JAMES</b>	Date <b>1-2003</b>
PROJECT <b>MONTGOMERY</b>	PROJECT NO. <b>BHO 1448(26)</b>
L.C. Info. <b>—</b>	<b>2/304P1</b>
Bridge Sheet No. <b>2</b>	Sheet <b>2</b> of <b>18</b>