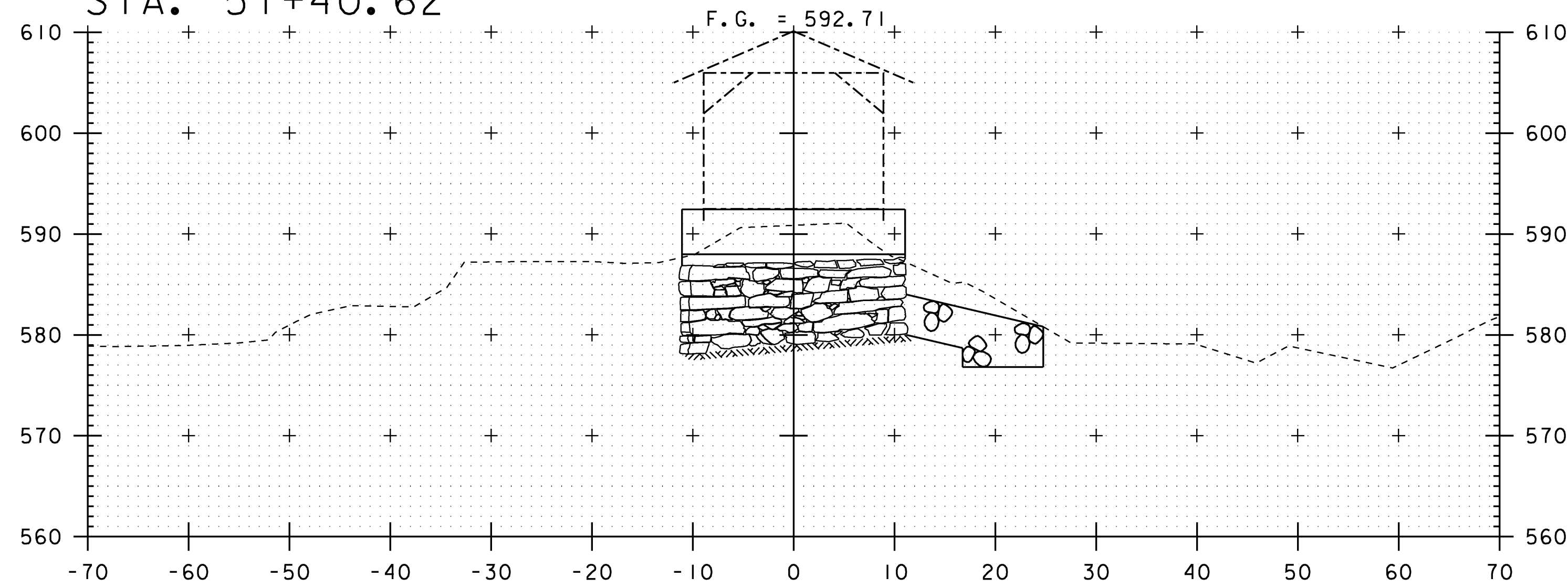
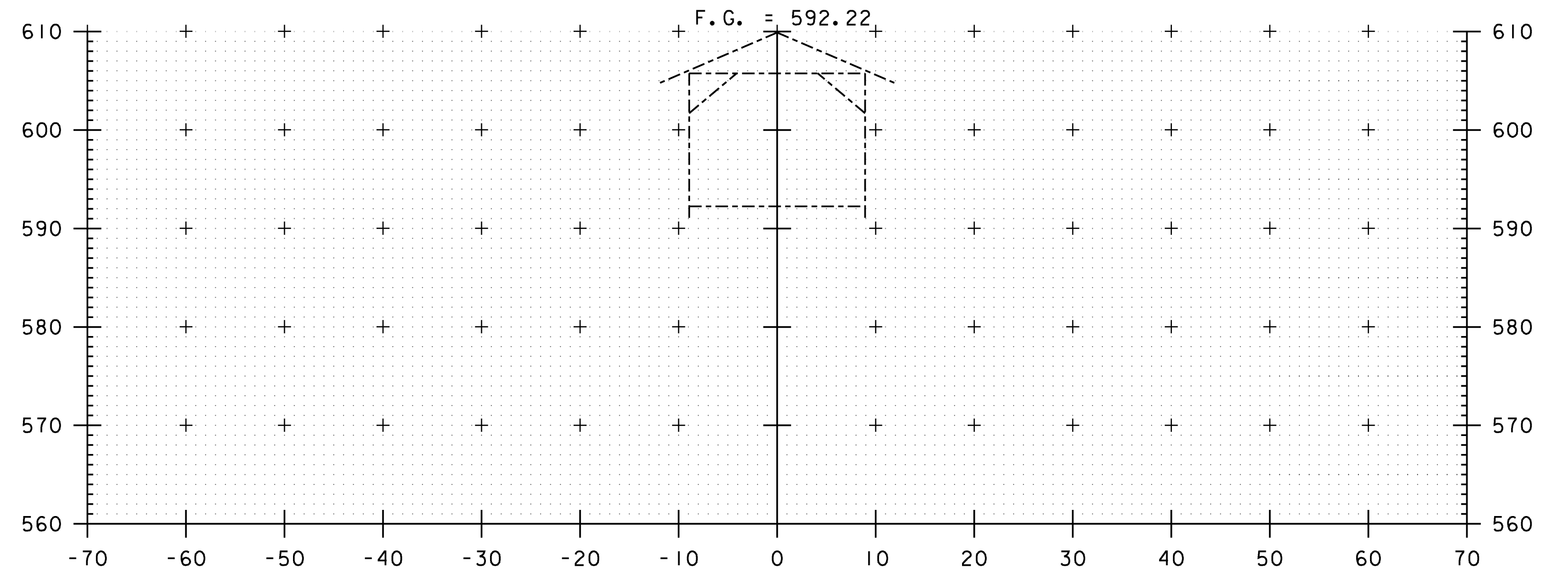


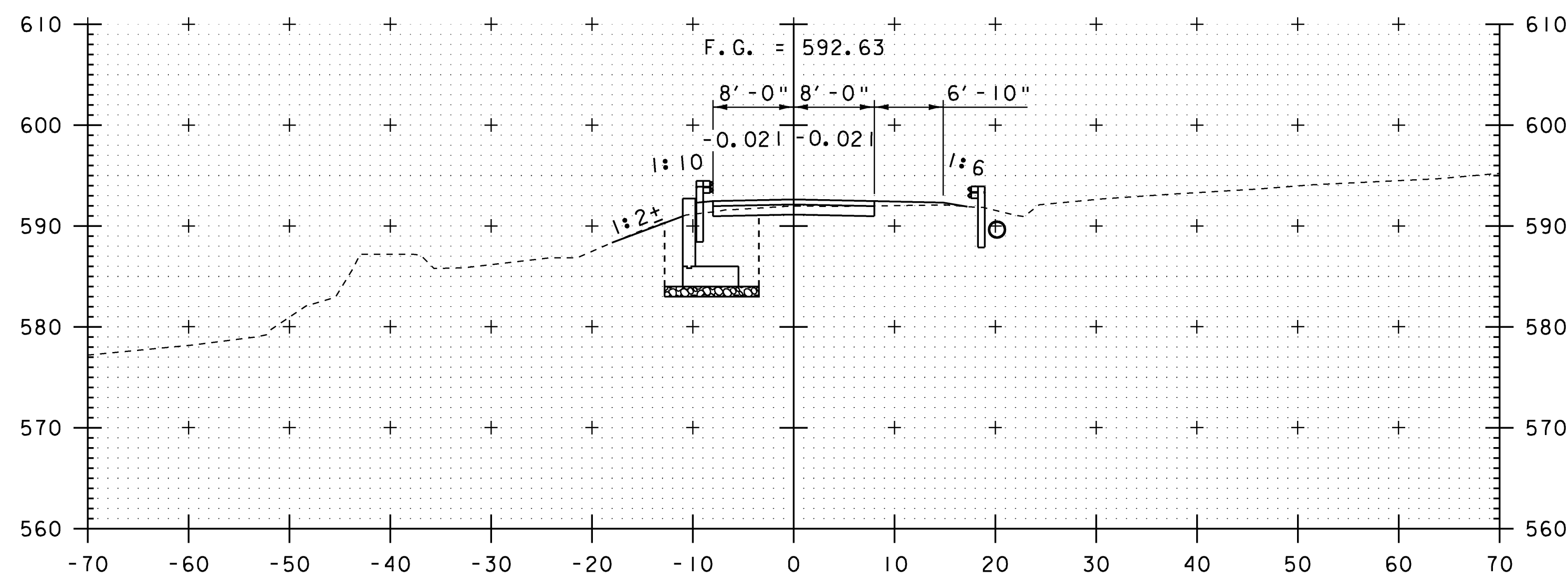
BEGIN BRIDGE
STA. 51+40.62



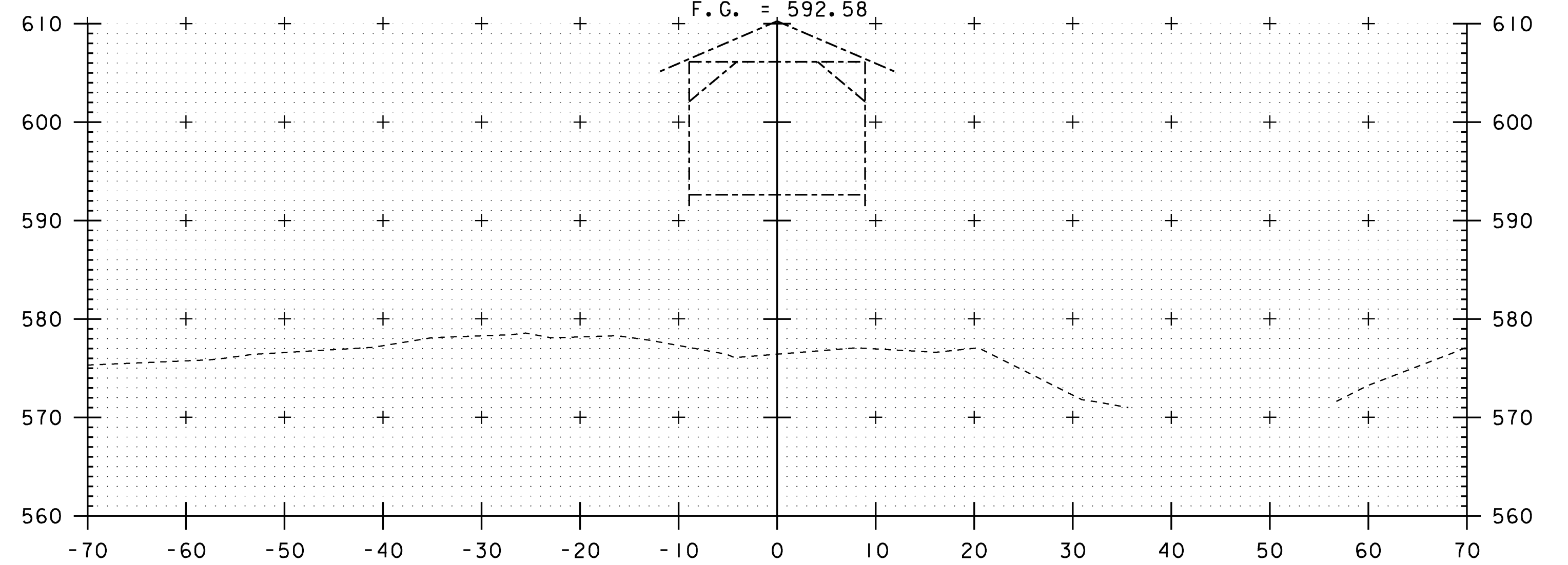
51+39



51+75



51+25



51+50

STA. 51+25 - STA. 51+75

SCALE: 1" = 10'-0"
10 0 10

MODEL
5125 TO 5200
HTA PROJECT NO.
904214

Hoyle, Tanner & Associates, Inc.

PROJECT NAME: MONTGOMERY
PROJECT NUMBER: BHO 1448(23)
FILE NAME: Z96J302XS2.dgn
PROJECT LEADER: J.H.WEAVER
DESIGNED BY: J.BICJA
T.H. 27 CROSS SECTIONS (2 OF 4)

PLOT DATE: 8/1/2008
DRAWN BY: J.B.McQUAID
CHECKED BY: S.T.JAMES
SHEET 50 OF 54