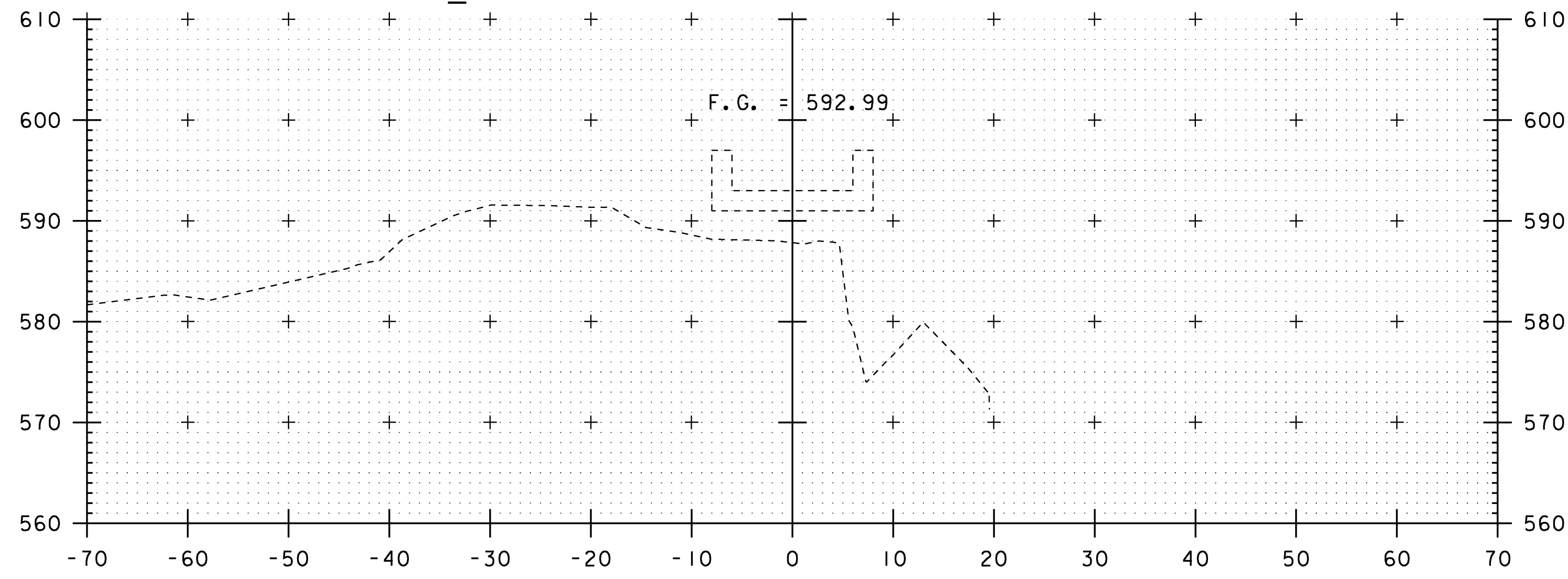
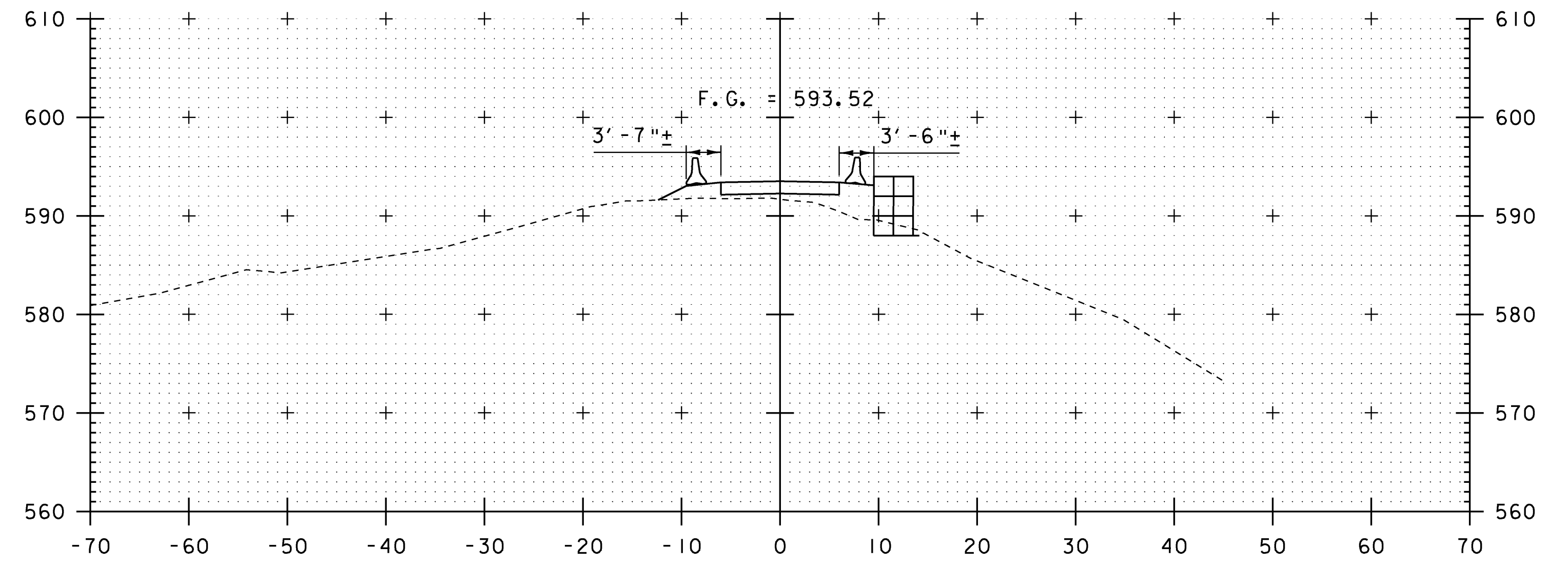


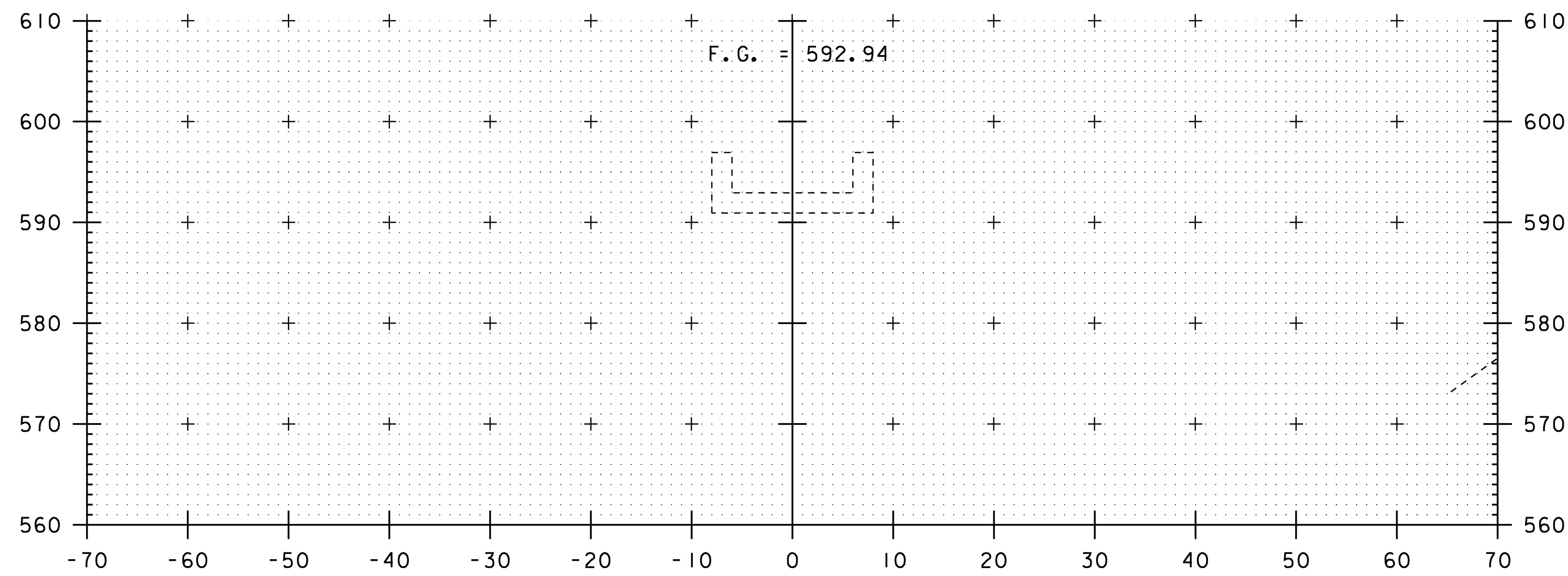
END TEMP. BRIDGE  
 STA. 12+57.81±



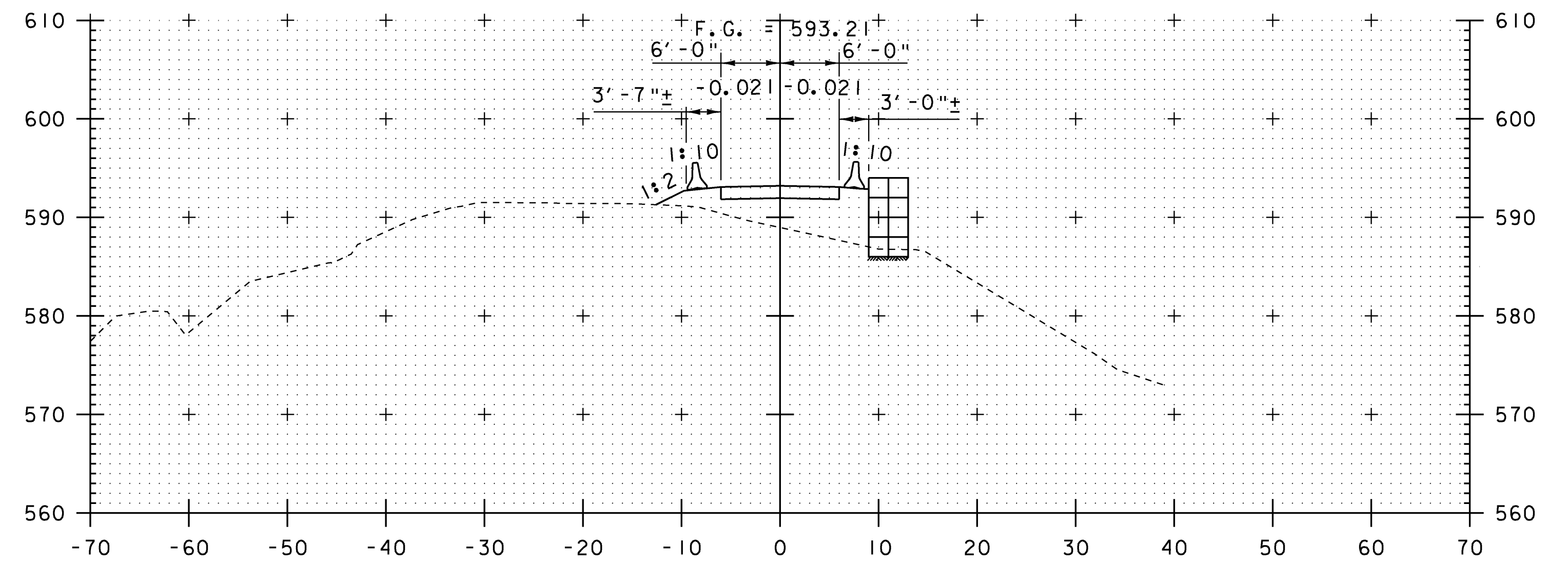
12+50



13+00



12+25



12+75

STA. 12+25 - STA. 13+00

SCALE: 1" = 10'-0"  
 10 0 10

MODEL	3
HTA PROJECT NO.	904214

Hoyle, Tanner & Associates, Inc.

PROJECT NAME:	MONTGOMERY	FILE NAME:	Z96J302detourxs3.dgn	PLOT DATE:	8/1/2008
PROJECT NUMBER:	BHO 1448(23)	PROJECT LEADER:	J.H.WEAVER	DRAWN BY:	J.B.McQUAID
		DESIGNED BY:	J.BICJA	CHECKED BY:	S.T.JAMES
		<b>TEMP. DETOUR CROSS SECTIONS (3 OF 4)</b>		SHEET	47 OF 54