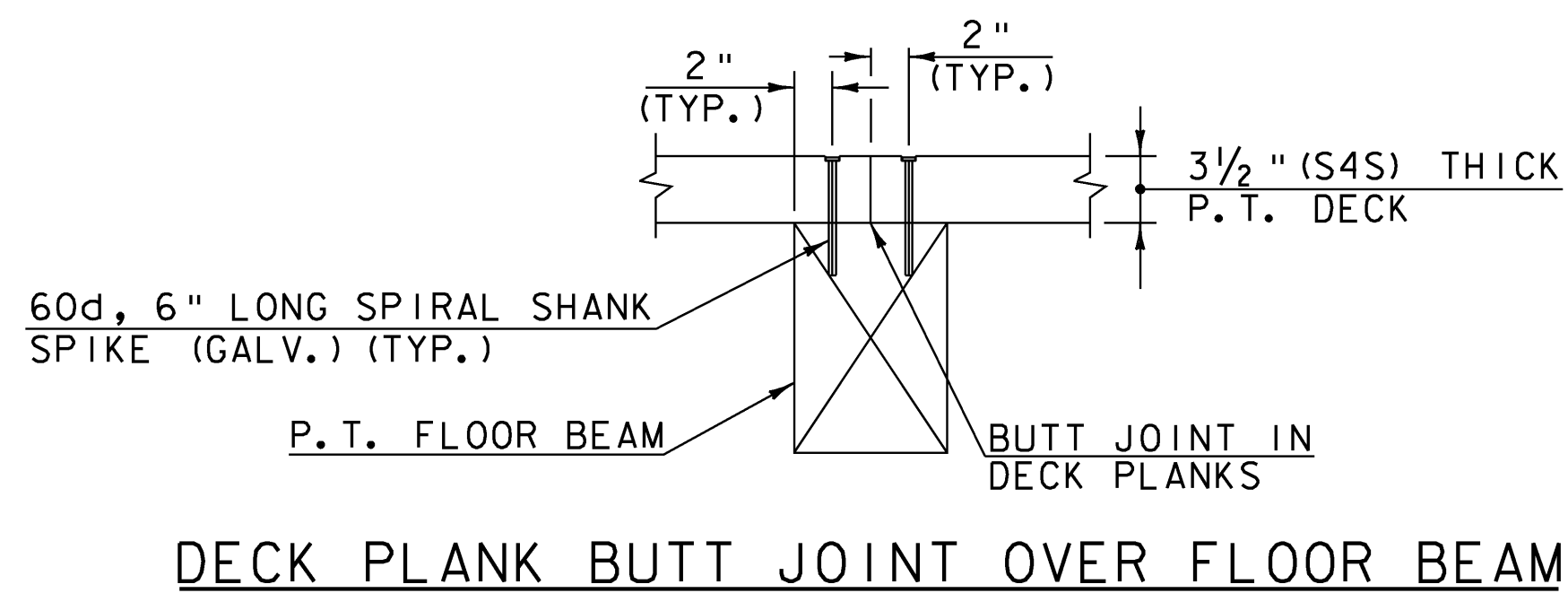
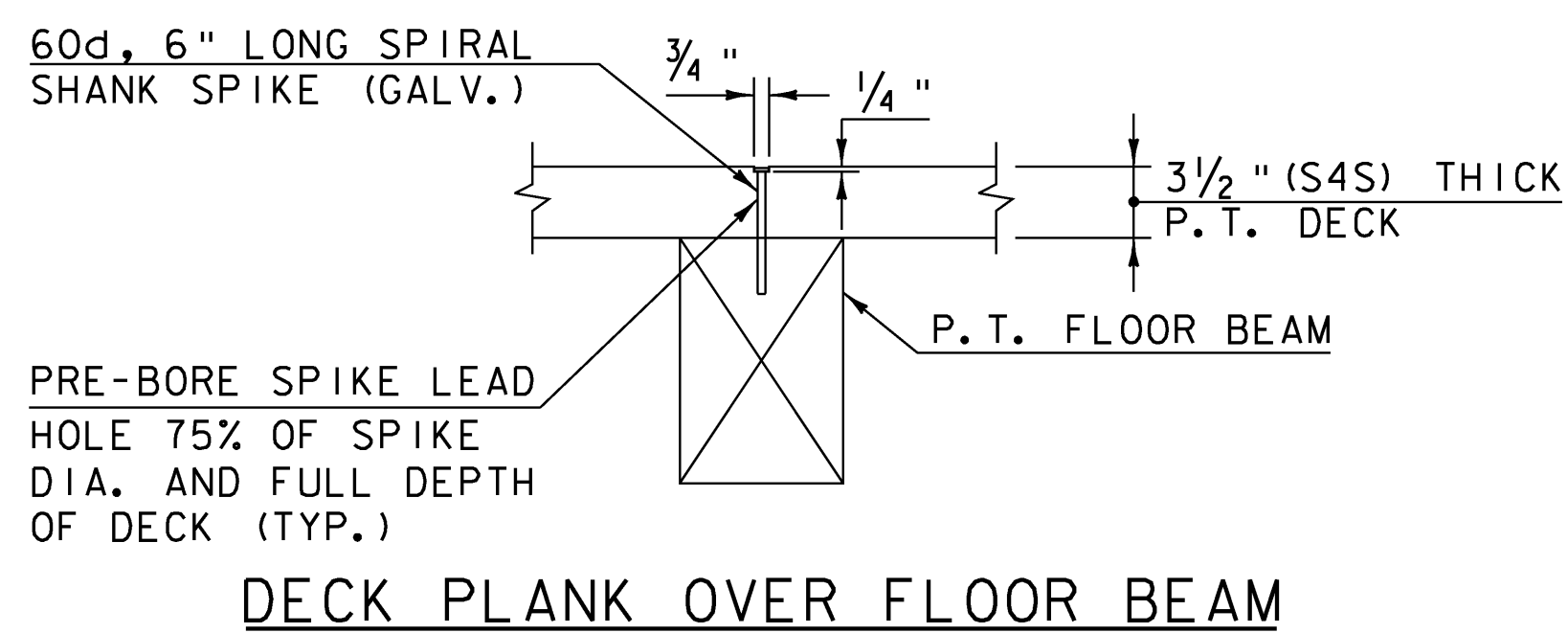
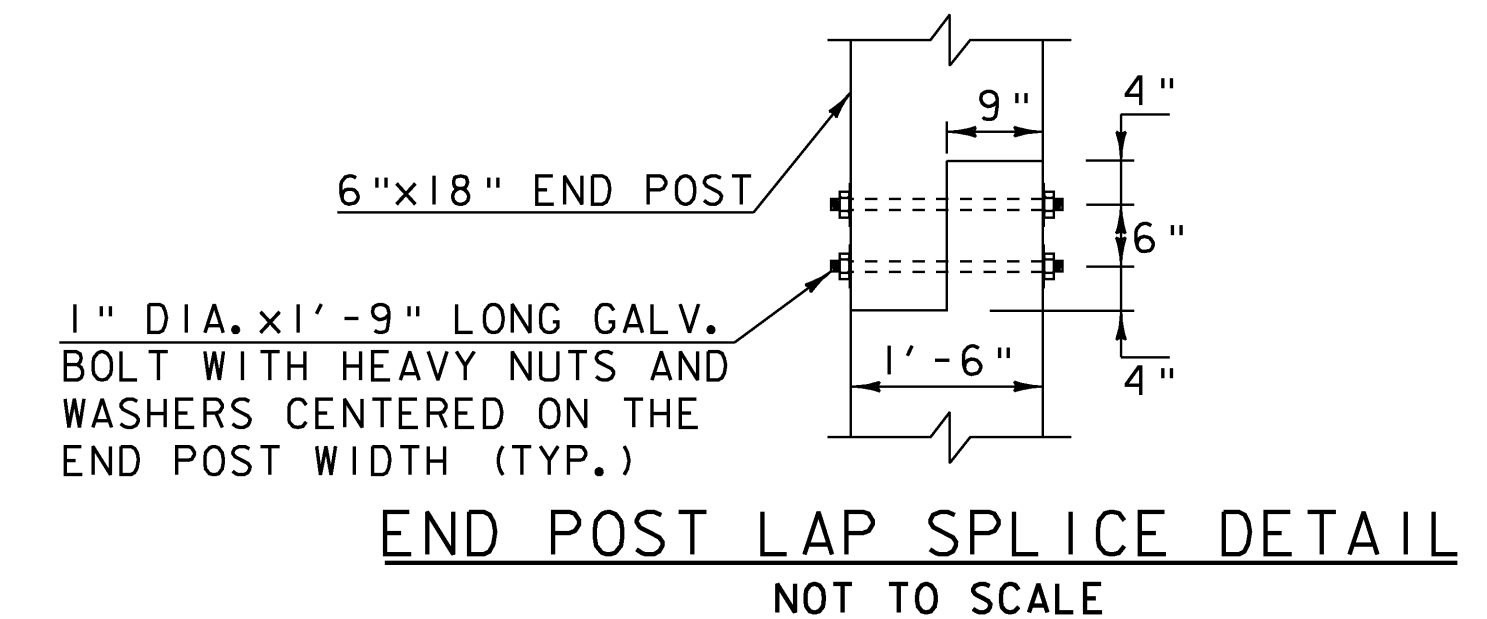
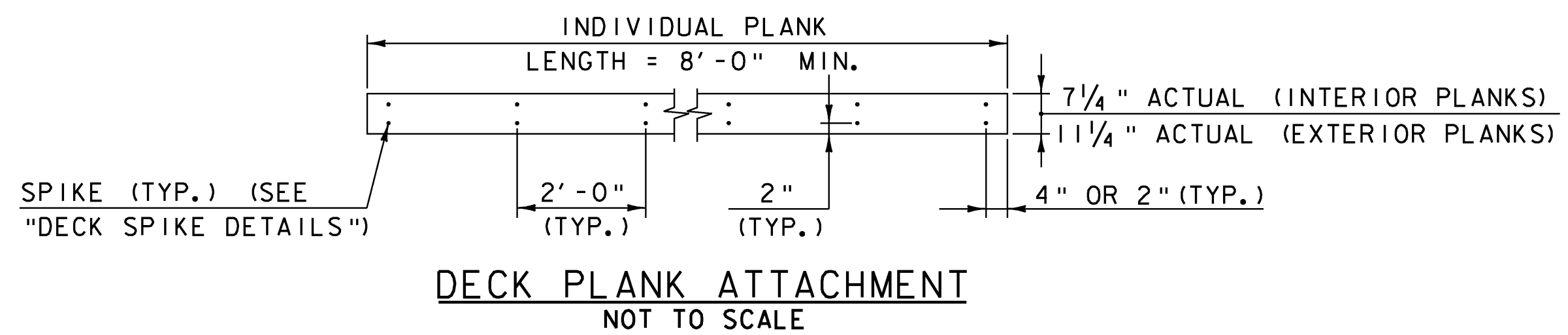
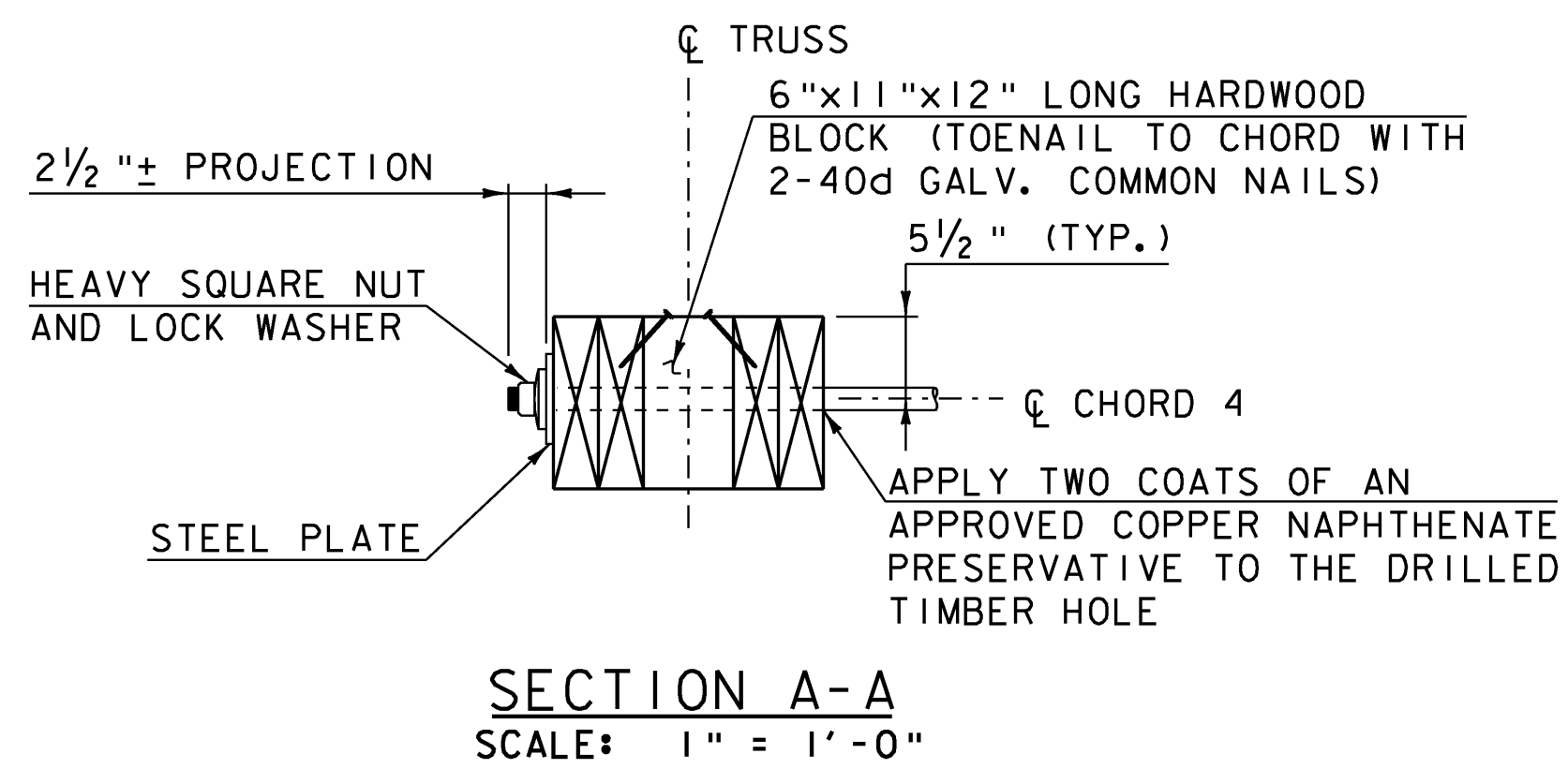
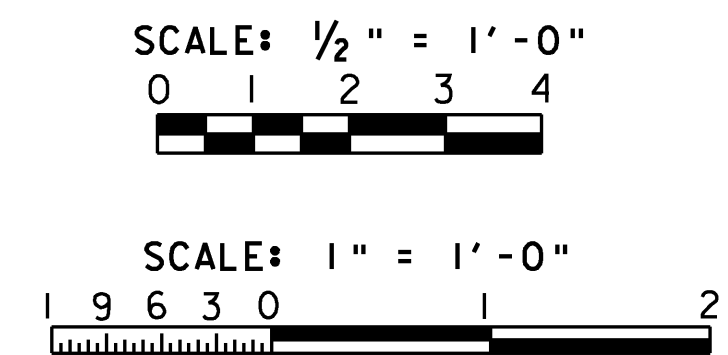


NOTE: NEW JOINT SEALANT SHALL BE AN APPROVED ONE COMPONENT POLYURETHANE ELASTOMERIC SEALANT COMPLYING WITH STANDARD SPECIFICATIONS SECTION 707.05.



DECK SPIKE DETAILS
NOT TO SCALE



MODEL
DETA
HTA PROJECT NO.
904214

PROJECT NAME: MONTGOMERY
PROJECT NUMBER: BHO 1448(23)

FILE NAME: Z96J302det113.dgn
PROJECT LEADER: J.H.WEAVER
DESIGNED BY: J.BICJA
BRIDGE DETAILS (1 OF 2)

PLOT DATE: 8/1/2008
DRAWN BY: J.B.McQUAID
CHECKED BY: S.T.JAMES
SHEET 41 OF 54

Hoyle, Tanner & Associates, Inc.