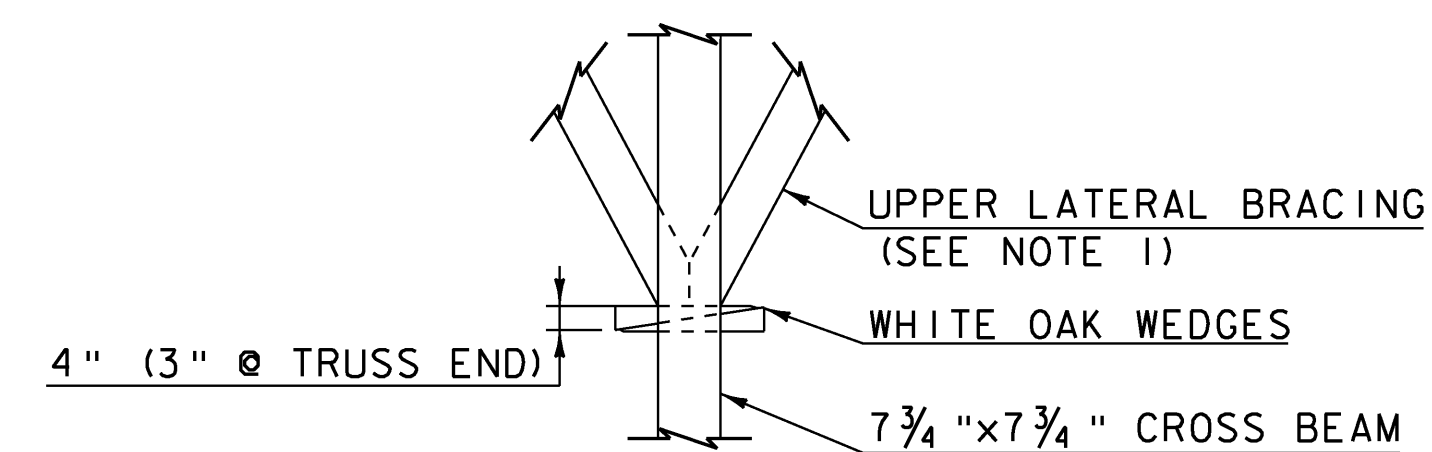


UPPER LATERAL BRACING PLAN
SCALE: 1/4" = 1'-0"

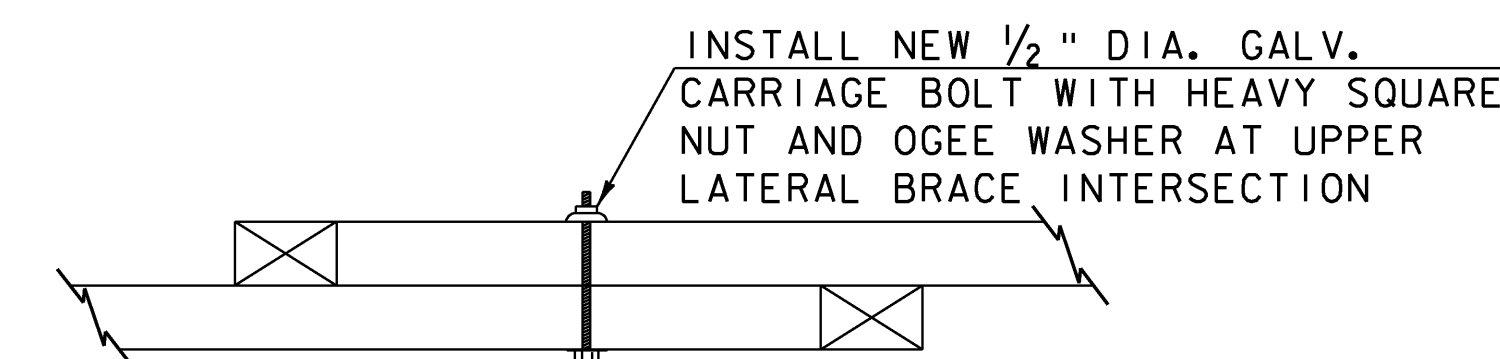
NOTE: KNEE BRACES NOT SHOWN FOR CLARITY. LOCATION VARIES, BUT GENERALLY SPAN FROM LOWER FACE OF CHORD 2 TO THE BOTTOM FACE OF THE CROSSBEAM.

PLAN NOTE:
1. THE UPPER LATERAL BRACING TENONS SHALL BE 3" IN DEPTH AND CENTERED VERTICALLY ON THE CROSS BEAM. SEE DETAIL "A" FOR THE JOINT DETAIL.

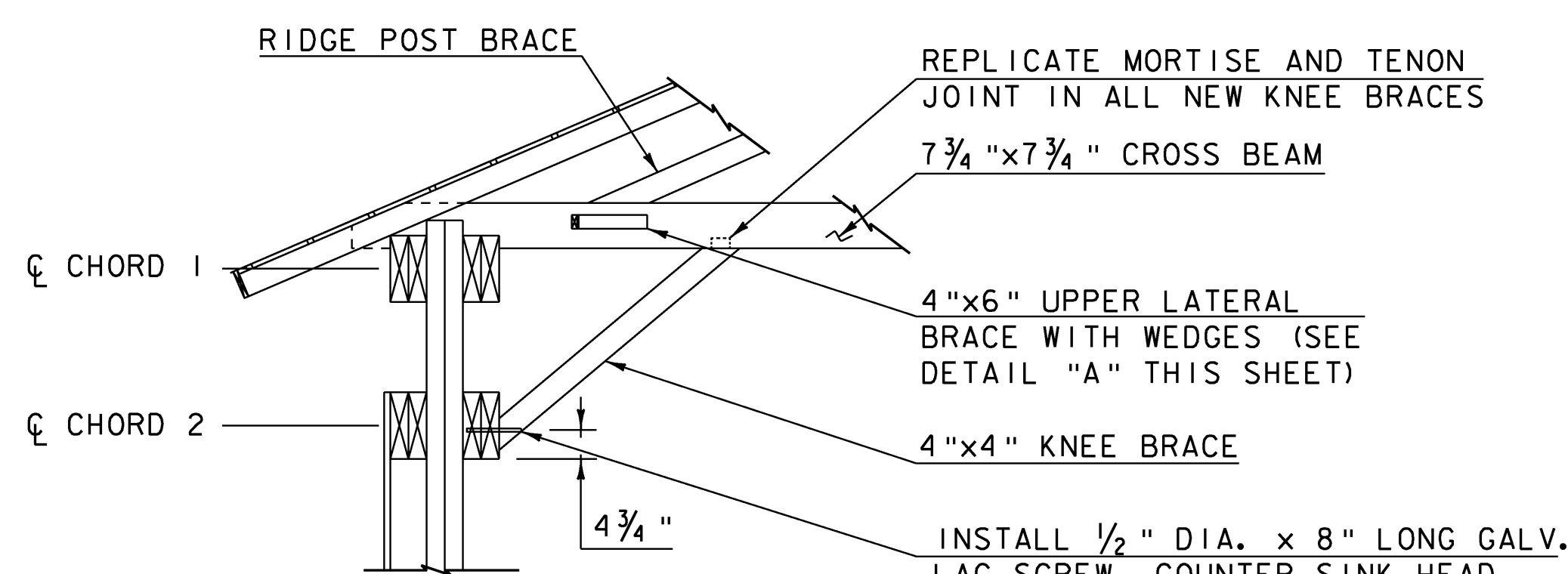
LEGEND:
 (1) TRUSS NODE LOCATION
 [Hatched Box] PREDETERMINED MEMBER TO BE REPLACED
 [Solid Box] NEW MEMBER



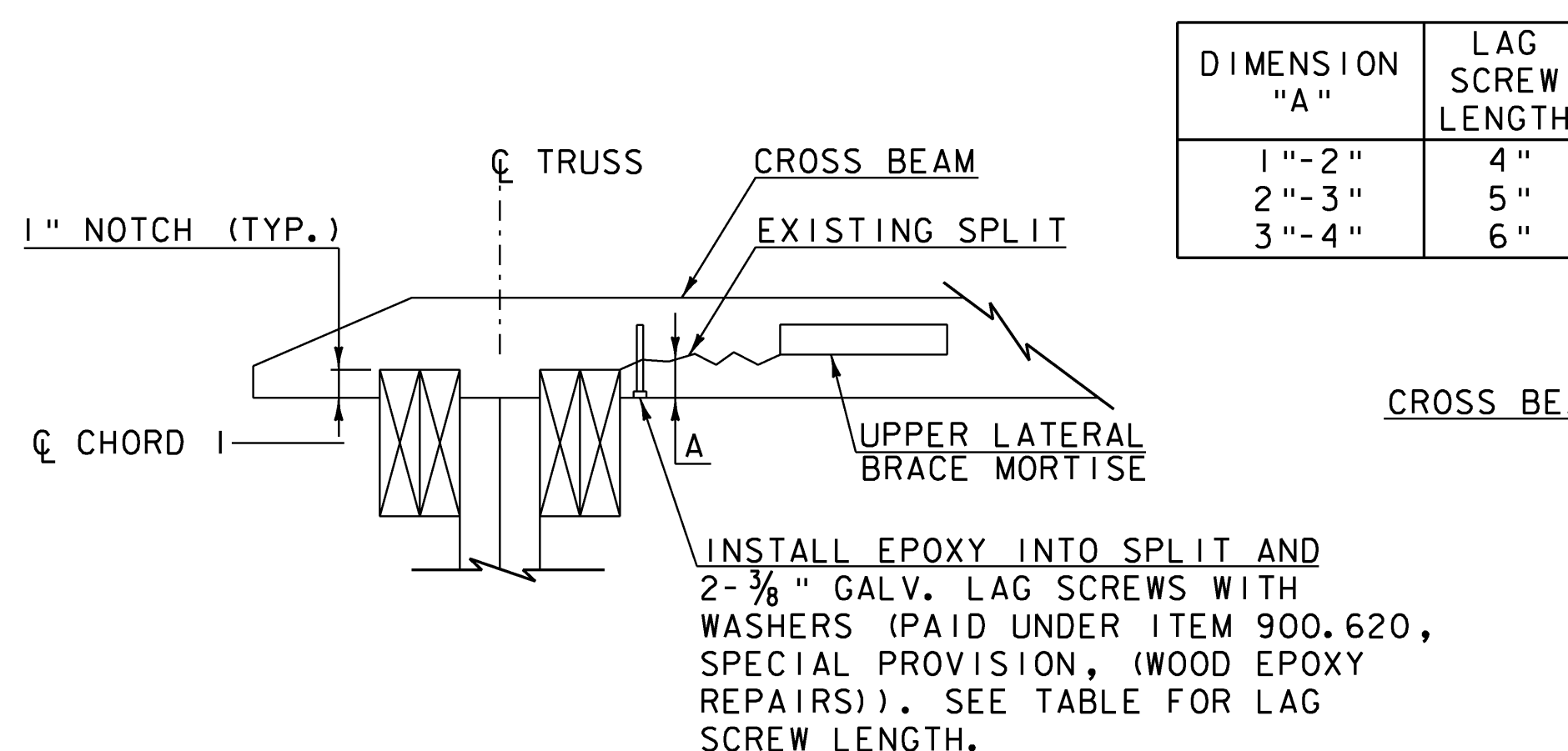
DETAIL "A"
SCALE: 1/2" = 1'-0"



SECTION A-A
SCALE: 1" = 1'-0"



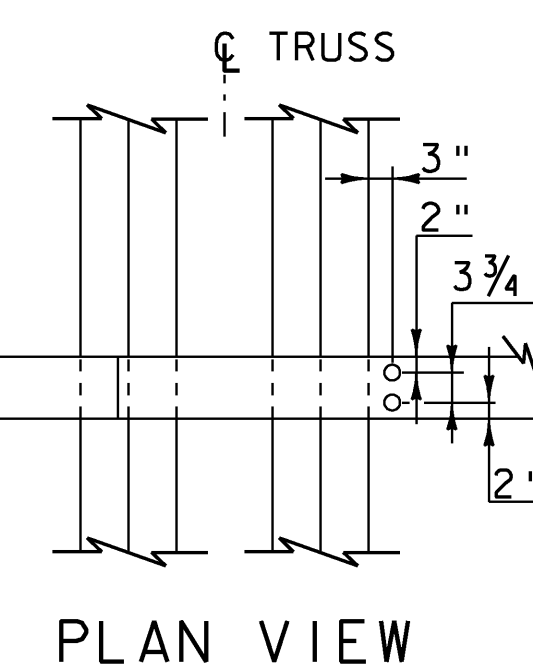
KNEE BRACE DETAIL
SCALE: 1/2" = 1'-0"



ELEVATION VIEW

DIMENSION "A"	LAG SCREW LENGTH
1"-2"	4"
2"-3"	5"
3"-4"	6"

CROSS BEAM SPLIT REPAIR DETAIL
NOTE: RIDGE POST BRACE NOT SHOWN FOR CLARITY.
SCALE: 1" = 1'-0"



PLAN VIEW

SCALE: 1/2" = 1'-0"

SCALE: 1/4" = 1'-0"

SCALE: 1" = 1'-0"

MODEL
ULB
HTA PROJECT NO.
904214

PROJECT NAME: MONTGOMERY
PROJECT NUMBER: BHO 1448(23)

FILE NAME: Z96J302sup7.dgn
PROJECT LEADER: J.H.WEAVER
DESIGNED BY: J.BICJA
UPPER LATERAL BRACING

PLOT DATE: 8/1/2008
DRAWN BY: J.B.McQUAID
CHECKED BY: S.T.JAMES
SHEET 40 OF 54

Hoyle, Tanner & Associates, Inc.