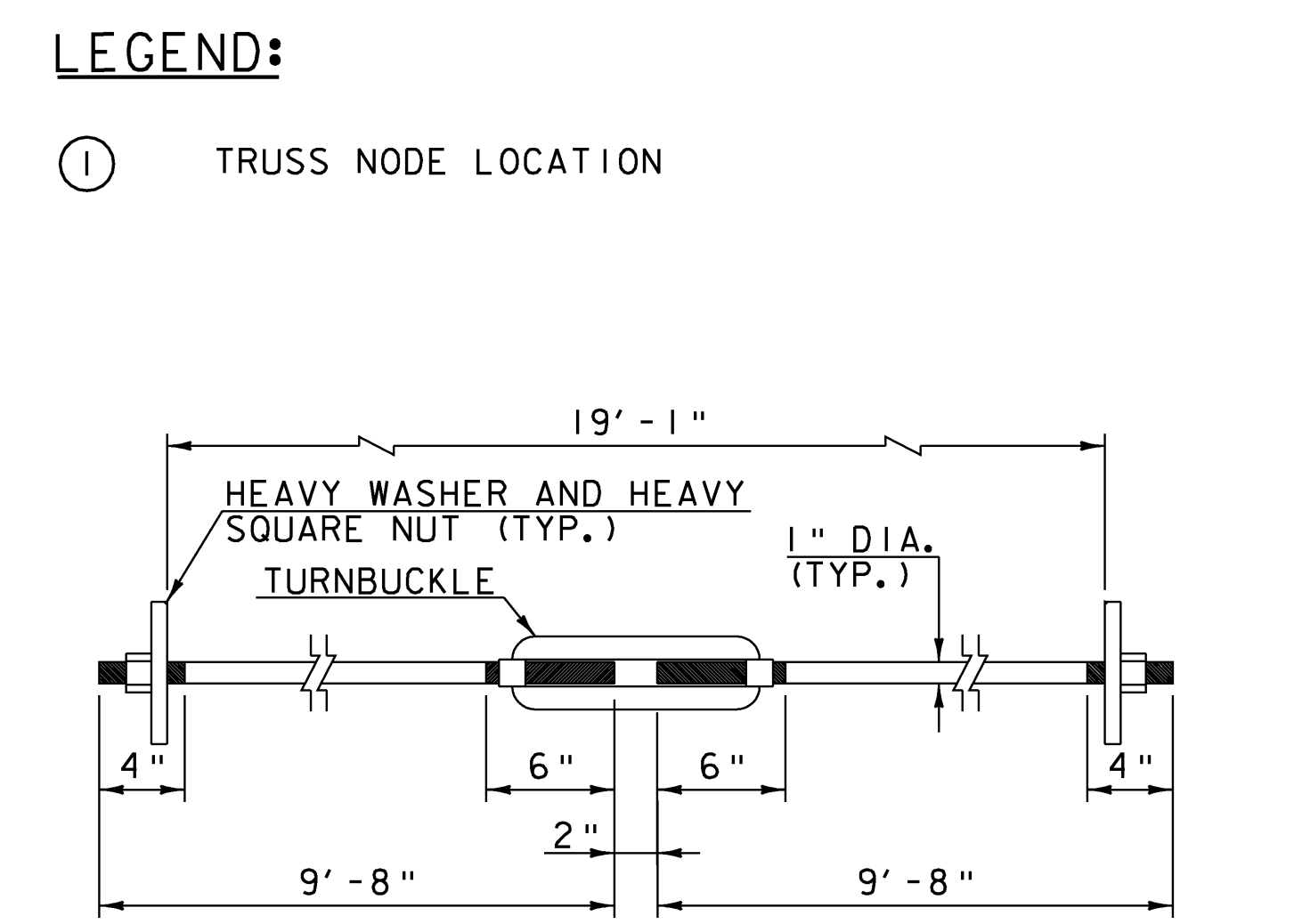


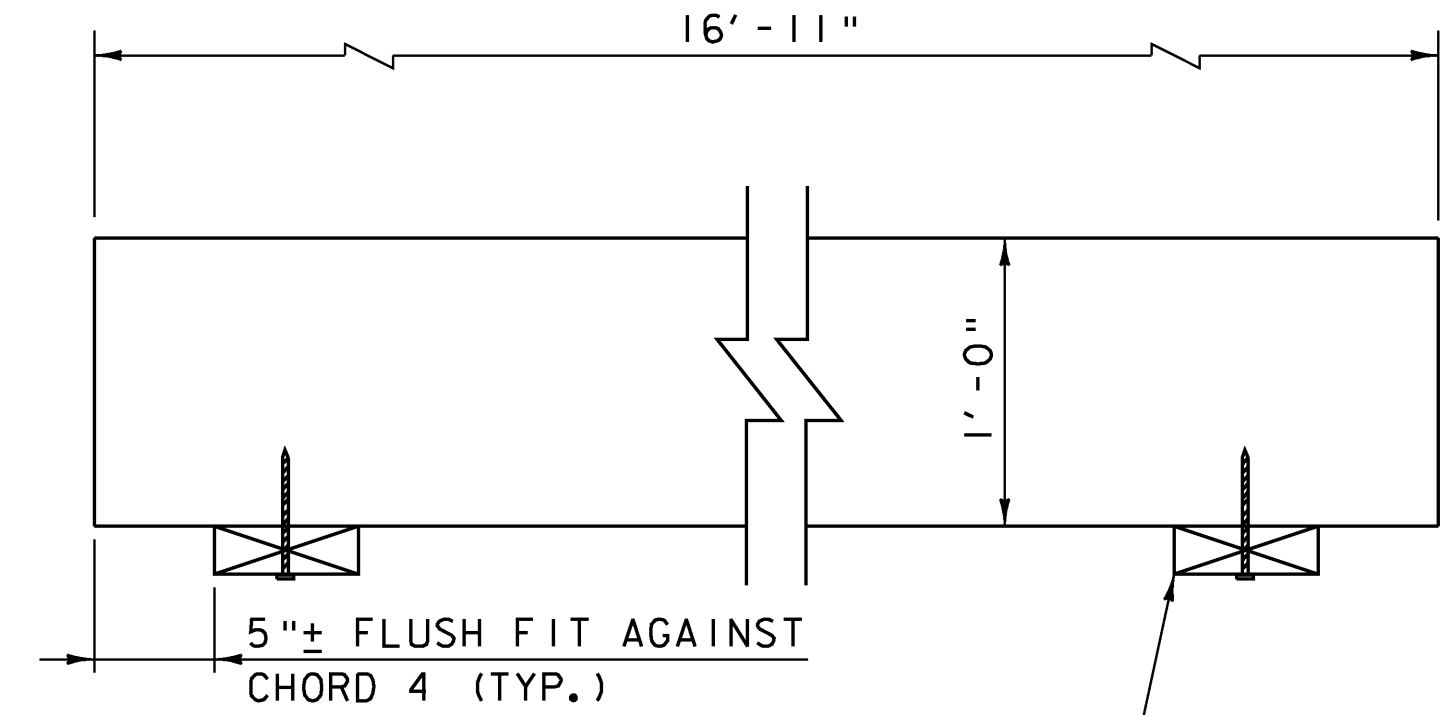
- PLAN NOTES:**
- REMOVE THE EXISTING FLOOR BEAMS, DECKING AND RUNNERS IN THEIR ENTIRETY AND REPLACE AS DETAILED ON THIS SHEET.
  - EXTERIOR DECK PLANKS AT CURB ATTACHMENT SHALL HAVE AN ACTUAL WIDTH OF 11 1/4". ALL OTHER INTERIOR DECK PLANKS SHALL HAVE AN ACTUAL WIDTH OF 7 1/4".



**FLOOR FRAMING PLAN**

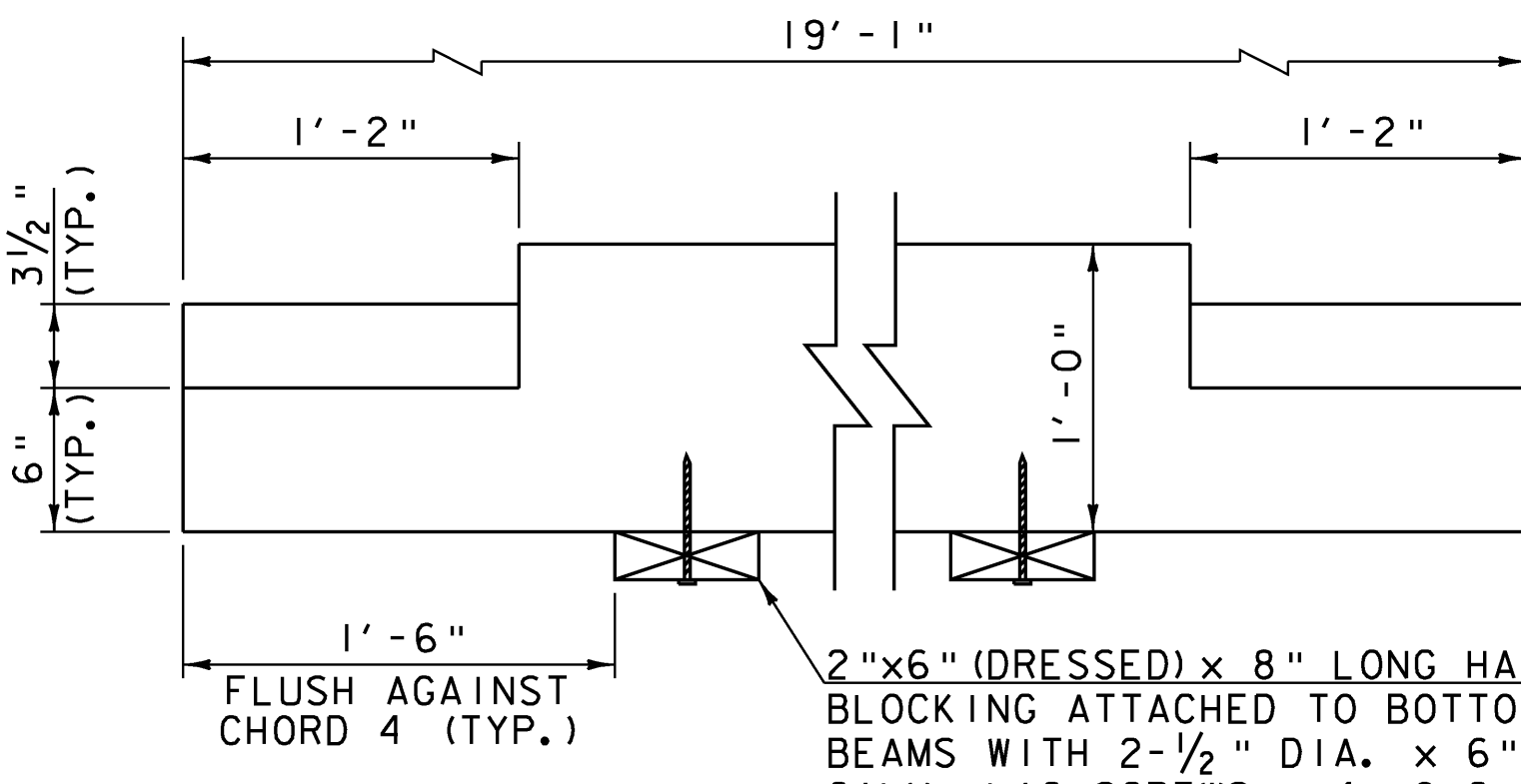
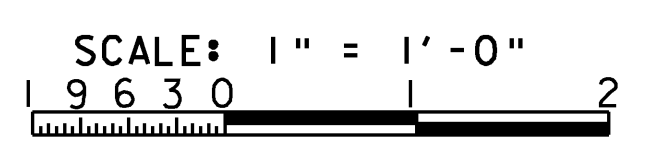
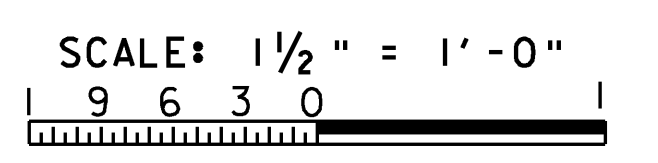
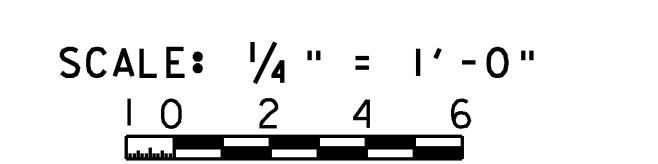
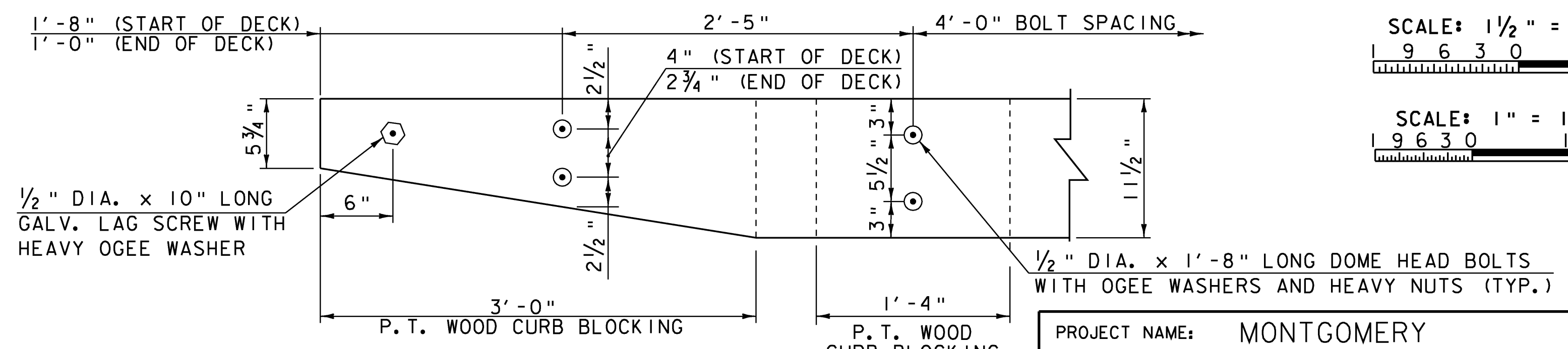
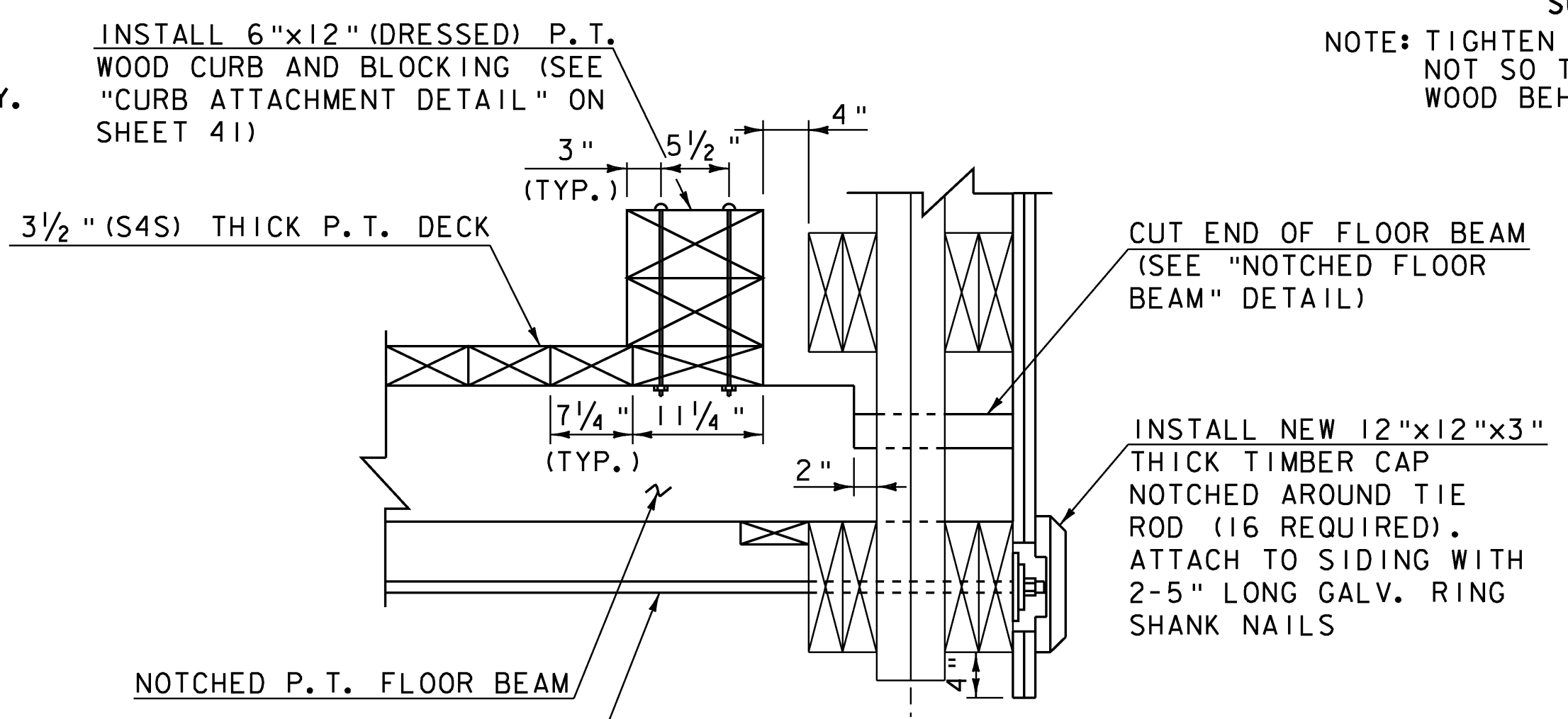
SCALE: 1/4" = 1'-0"

NOTE: DECK AND CURBING PARTIALLY SHOWN FOR CLARITY.



**UNNOTCHED P.T. FLOOR BEAM END SECTION**

SCALE: 1 1/2" = 1'-0"



**NOTCHED P.T. FLOOR BEAM END SECTION**

SCALE: 1 1/2" = 1'-0"

PROJECT NAME: MONTGOMERY	FILE NAME: Z96J302sup3.dgn	PLOT DATE: 8/1/2008
PROJECT NUMBER: BHO 1448(23)	PROJECT LEADER: J.H.WEAVER	DRAWN BY: J.B.McQUAID
DESIGNED BY: J.BICJA	DESIGNED BY: J.BICJA	CHECKED BY: S.T.JAMES
<b>FLOOR FRAMING PLAN</b>	<b>FLOOR FRAMING PLAN</b>	SHEET 36 OF 54

Hoyle, Tanner & Associates, Inc.