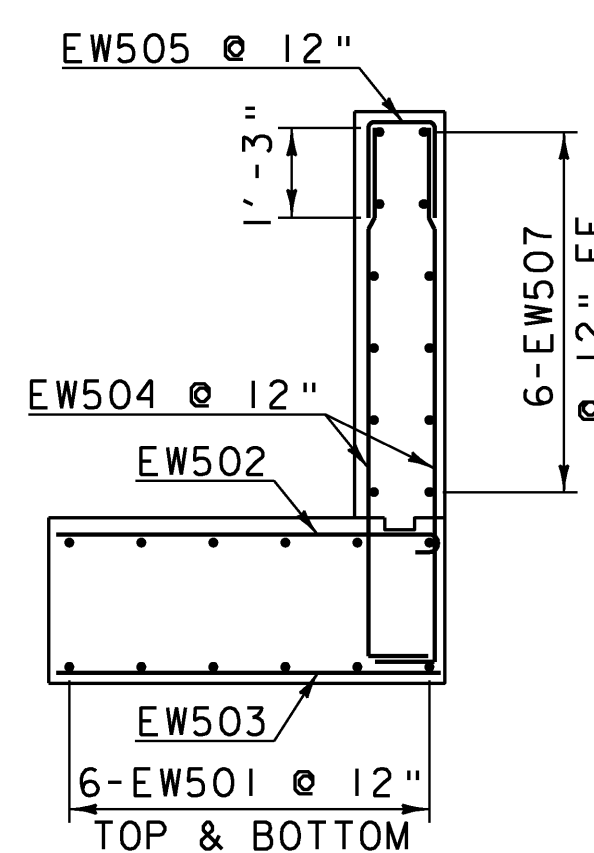
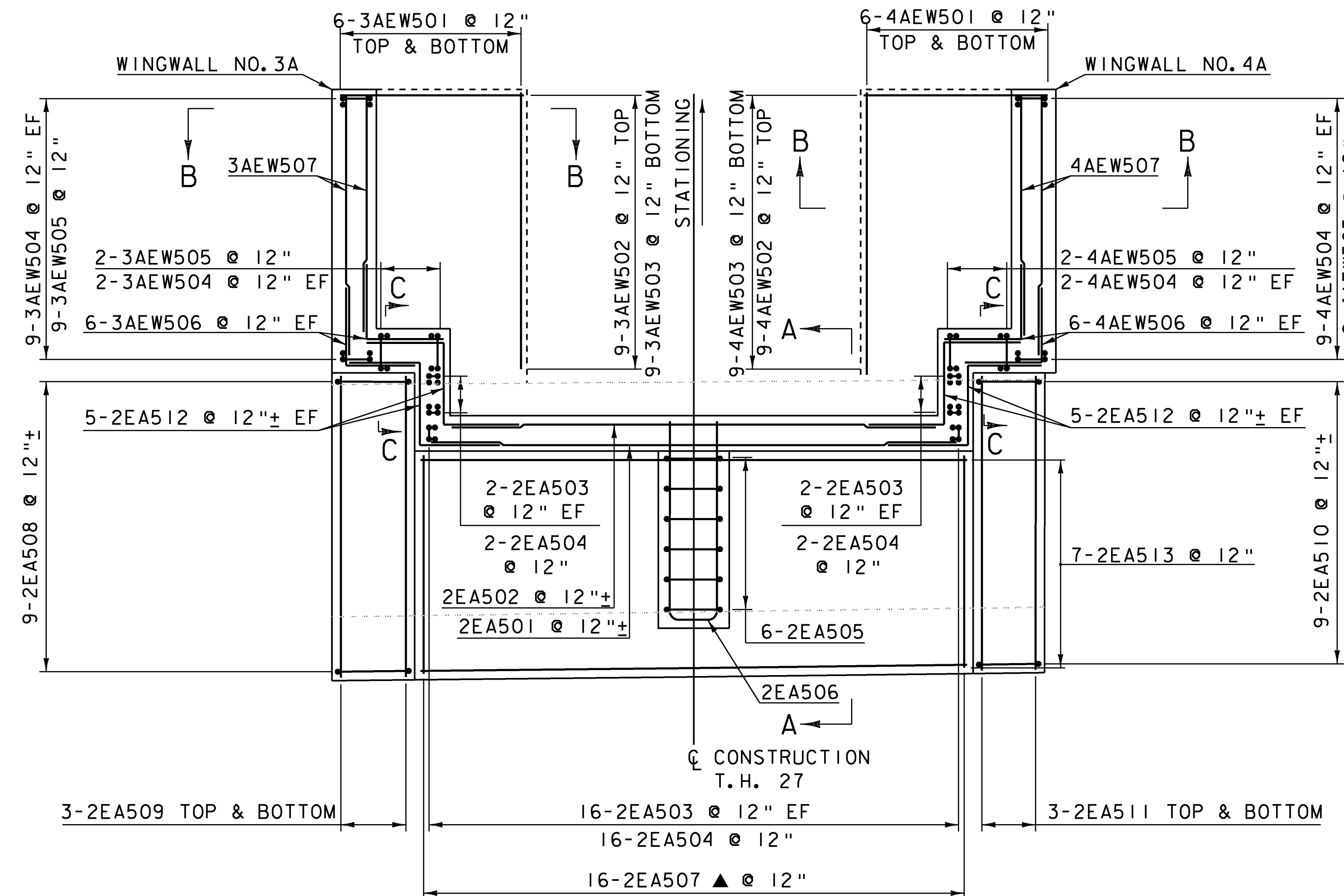


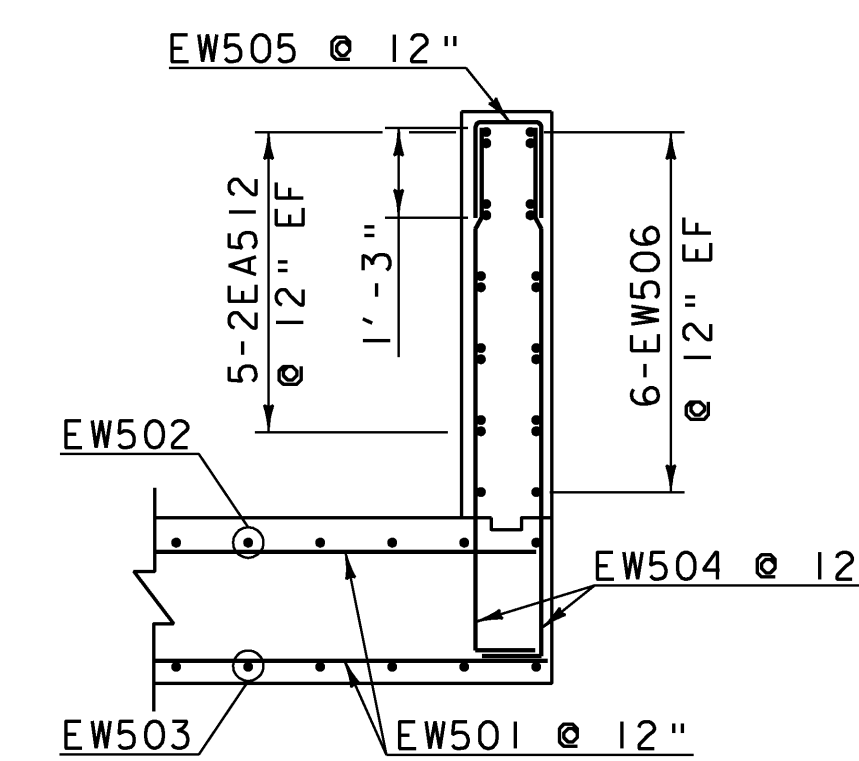
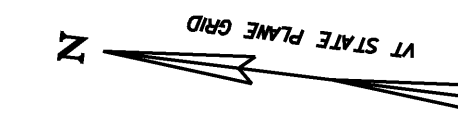
SECTION A-A
SCALE: 3/8" = 1'-0"



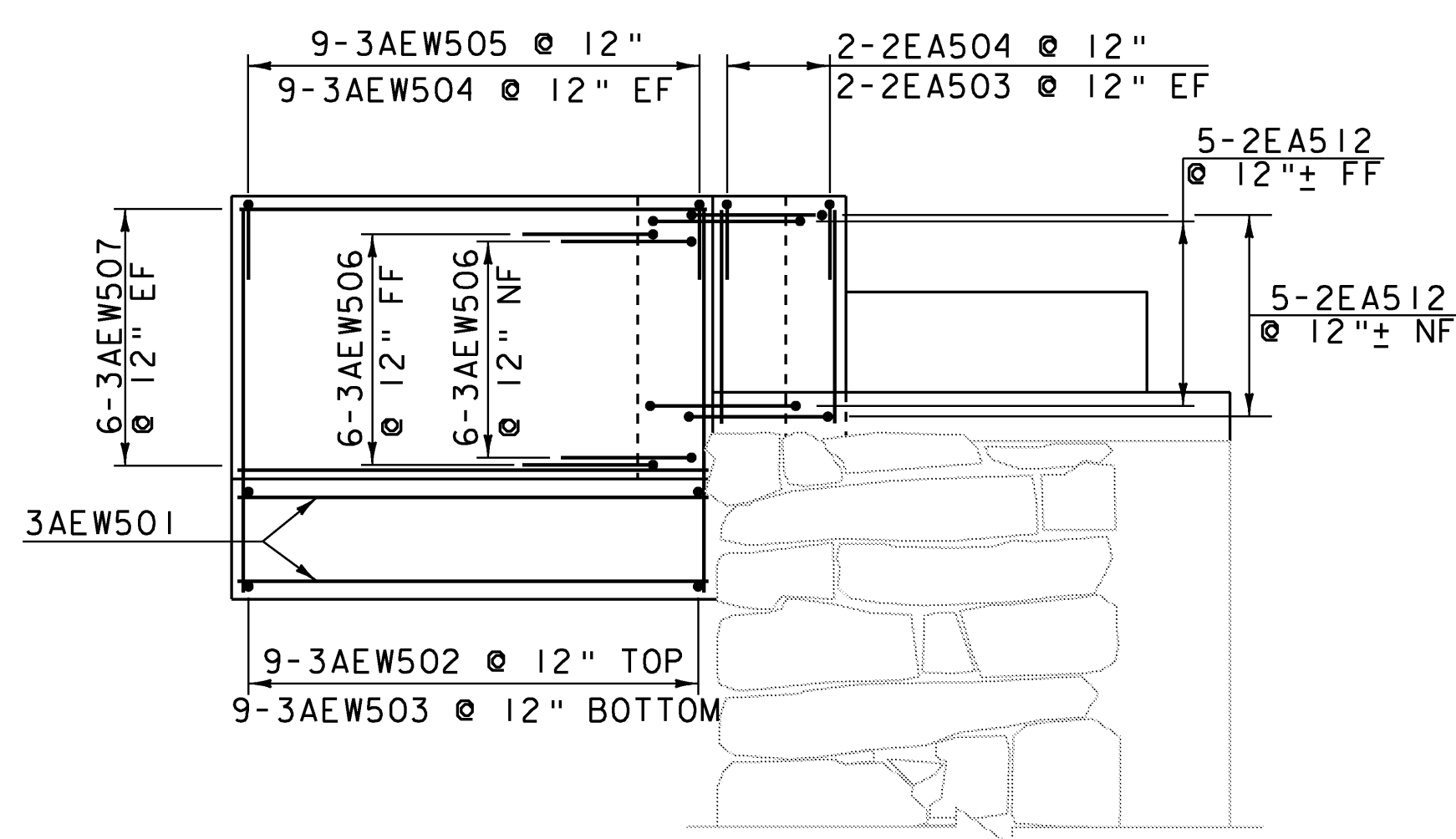
SECTION B-B
SCALE: 3/8" = 1'-0"



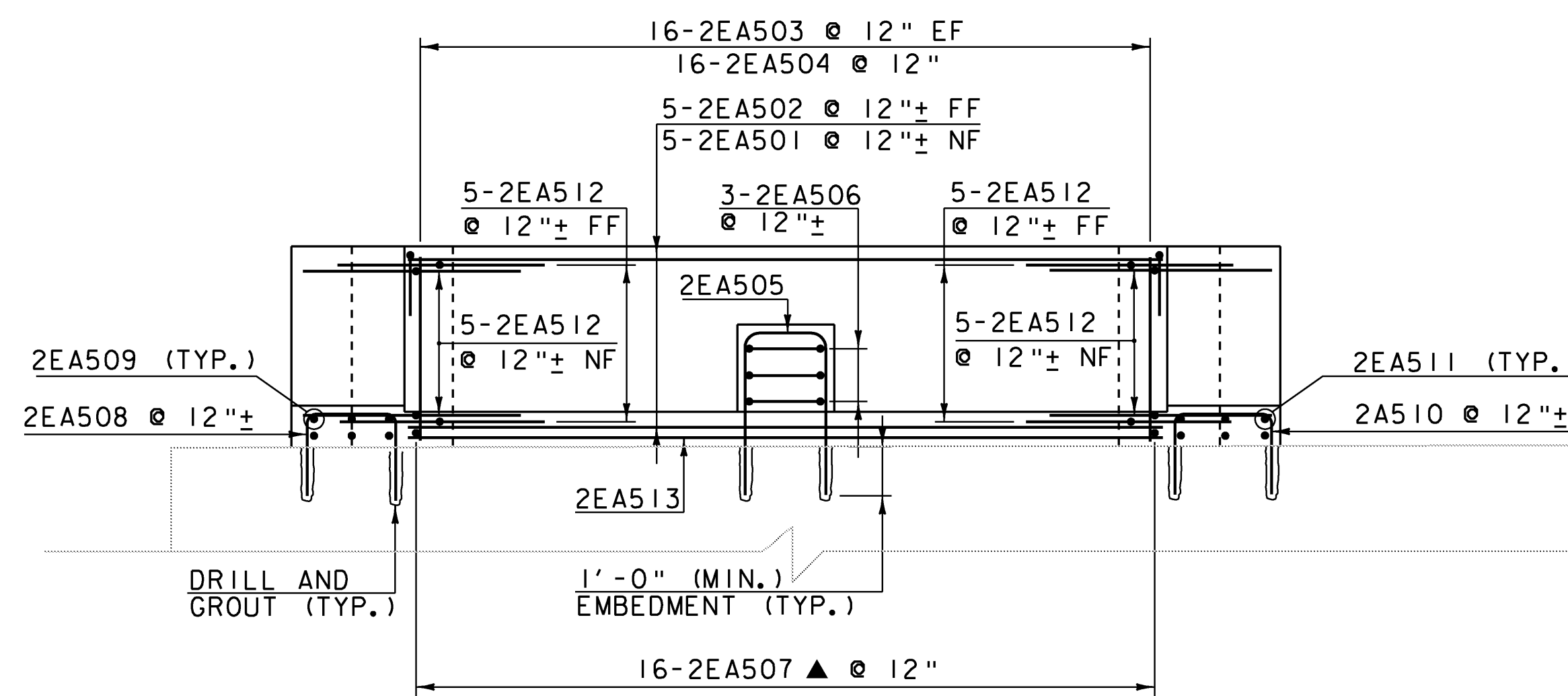
ABUTMENT NO. 2 PLAN
SCALE: 3/8" = 1'-0"



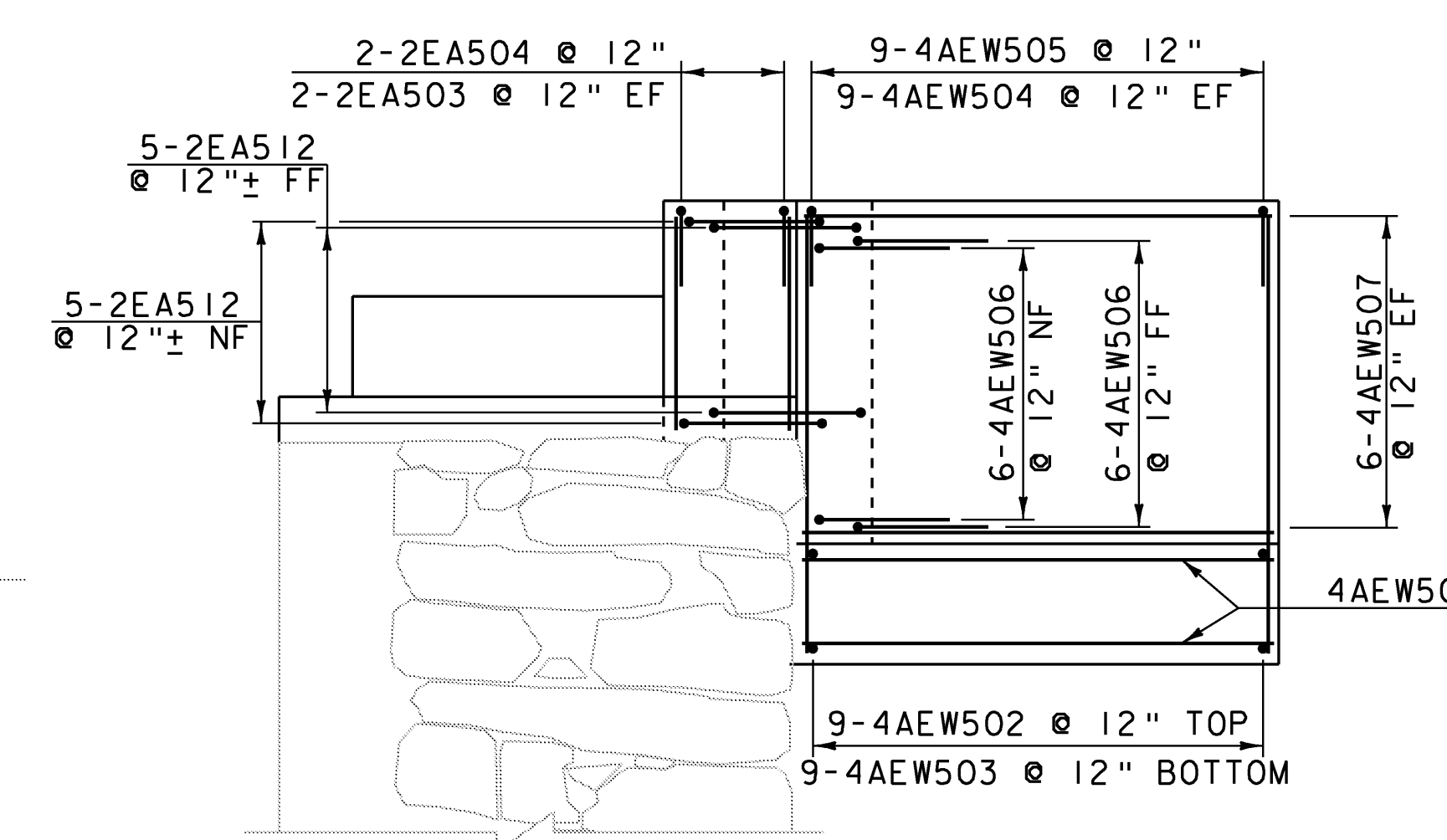
SECTION C-C
SCALE: 3/8" = 1'-0"



WINGWALL NO. 3A ELEVATION
SCALE: 3/8" = 1'-0"



ABUTMENT NO. 2 ELEVATION
SCALE: 3/8" = 1'-0"



WINGWALL NO. 4A ELEVATION
SCALE: 3/8" = 1'-0"

LEGEND:

- NF NEAR FACE
- FF FAR FACE
- EF EACH FACE
- ▲ REINFORCING TO BE CUT IN FIELD

SCALE: 3/8" = 1'-0"
1 0 1 2 3 4

MODEL	Default
HTA PROJECT NO.	904214

Hoyle, Tanner & Associates, Inc.

PROJECT NAME: MONTGOMERY
PROJECT NUMBER: BHO 1448(23)

FILE NAME: Z96J302subreinf2.dgn
PROJECT LEADER: J.H.WEAVER
DESIGNED BY: J.BICJA
ABUTMENT NO.2 REINFORCING

PLOT DATE: 8/1/2008
DRAWN BY: J.B.McQUAID
CHECKED BY: S.T.JAMES
SHEET 34 OF 54