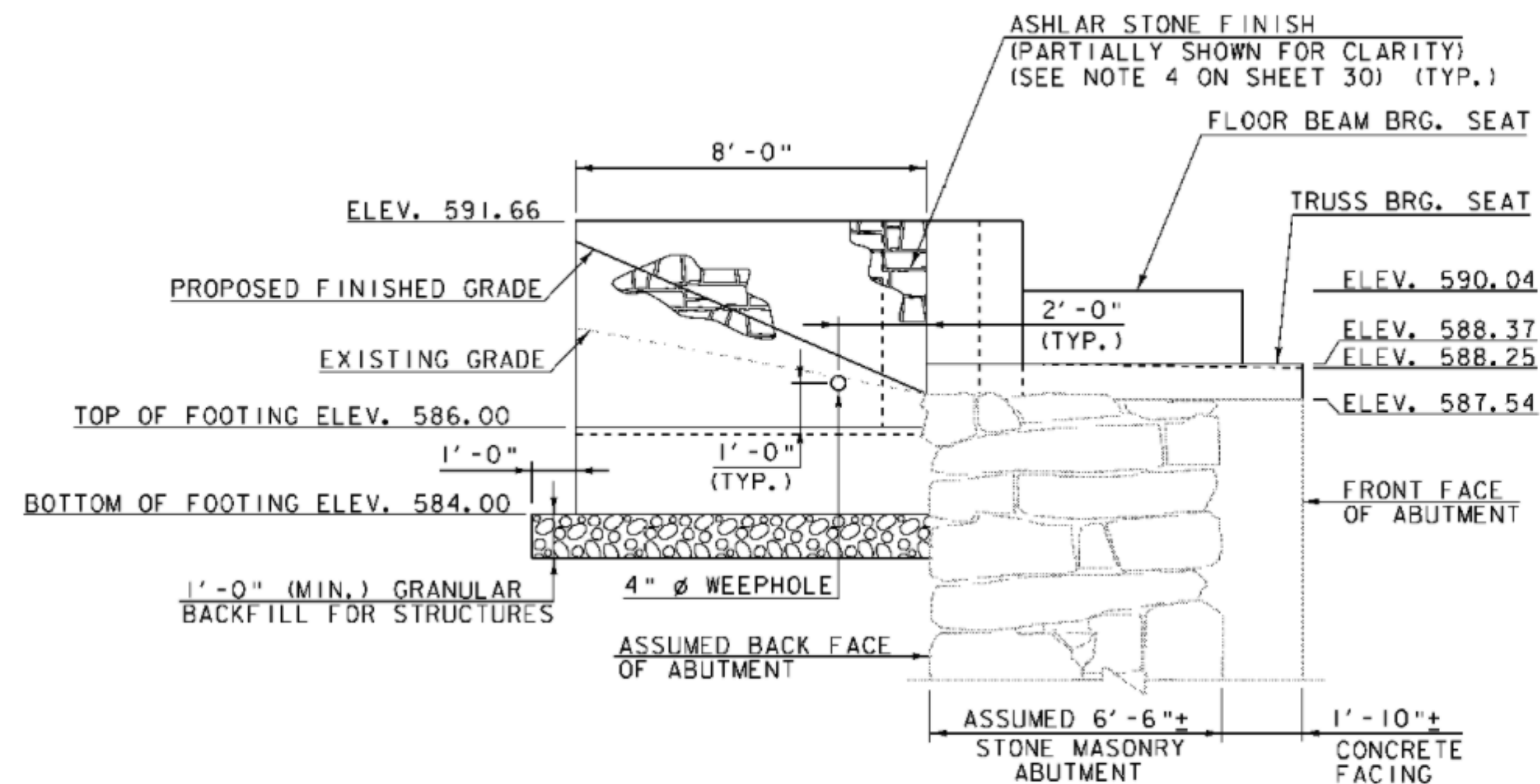
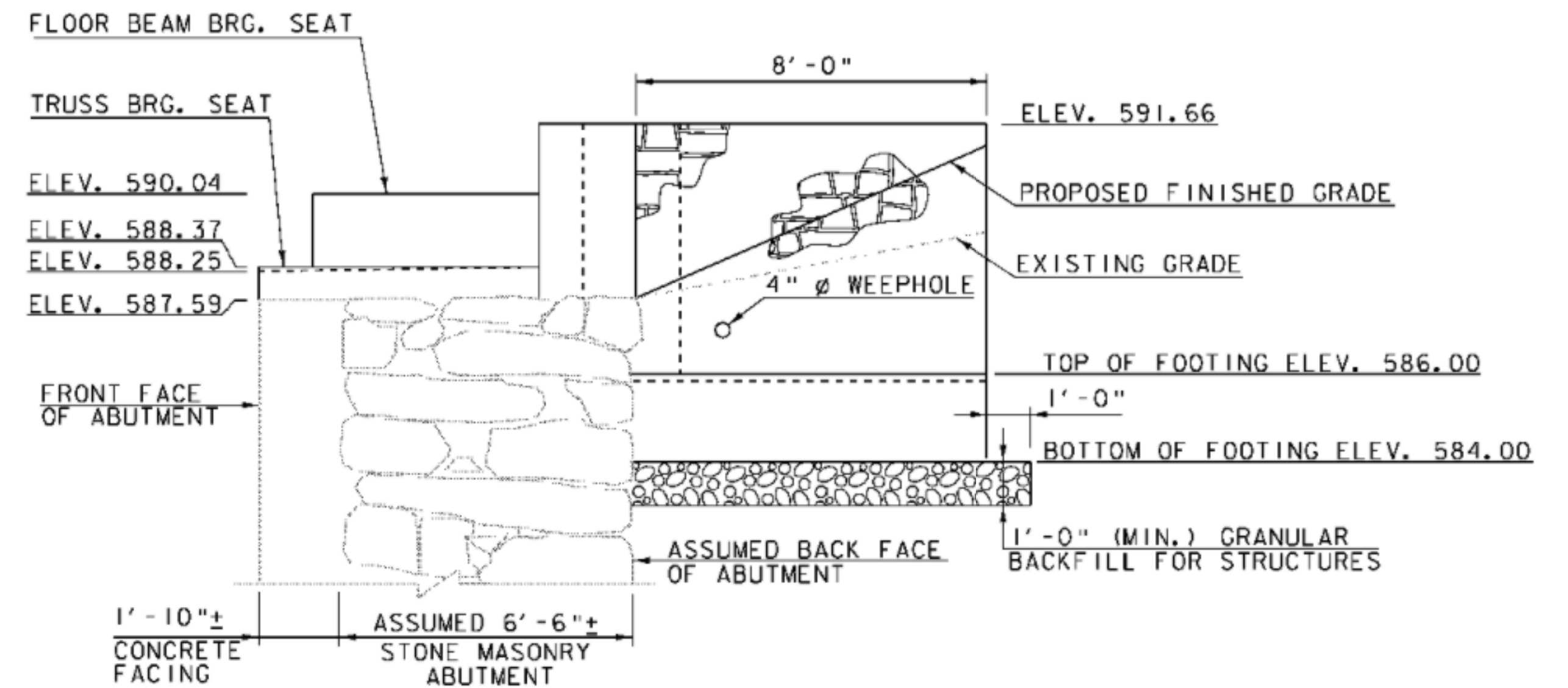


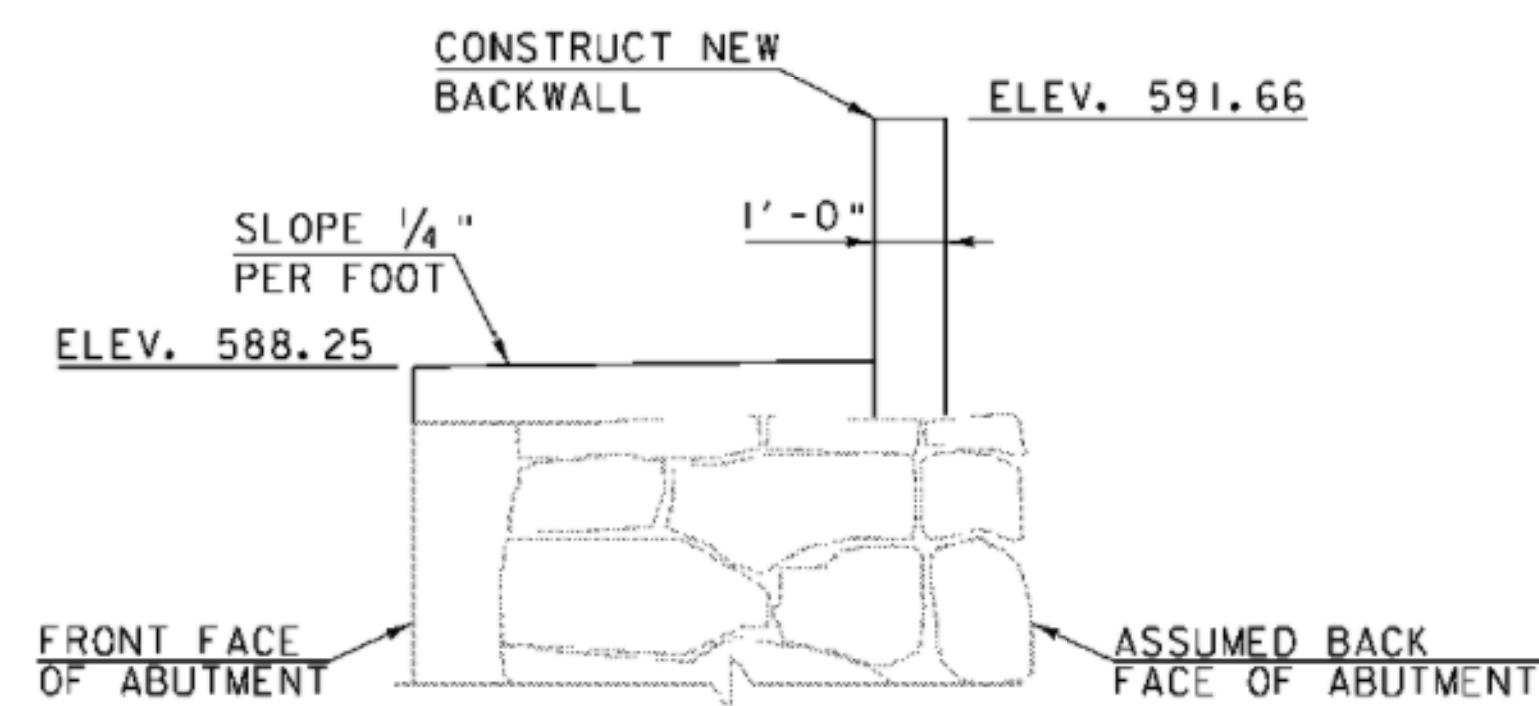
PLAN NOTE:
 1. SEE SHEET 32 FOR ABUTMENT NO. 2, WINGWALLS NO. 3A AND 4A PLAN VIEW AND DETAILS.



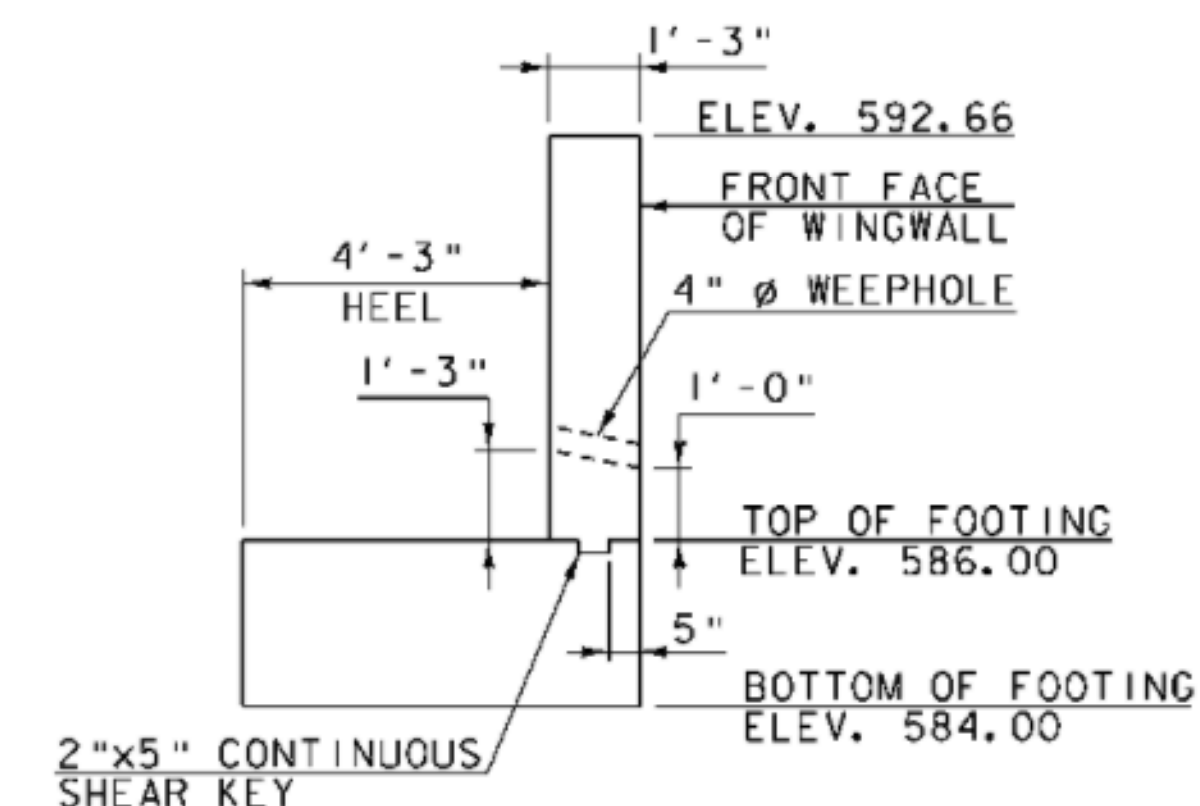
WINGWALL NO. 3A ELEVATION
 SCALE: 3/8" = 1'-0"



WINGWALL NO. 4A ELEVATION
 SCALE: 3/8" = 1'-0"



SECTION A-A
 (SEE SHEET 32)
 SCALE: 3/8" = 1'-0"



SECTION B-B
 (SEE SHEET 32)
 SCALE: 3/8" = 1'-0"

SCALE: 3/8" = 1'-0"
 1 0 1 2 3 4

MODEL
ABT (PLAN - ELEV
HTA PROJECT NO.
904214

Hoyle, Tanner & Associates, Inc.

PROJECT NAME: MONTGOMERY	FILE NAME: Z96J302sub3.dgn	PLOT DATE: 8/1/2008
PROJECT NUMBER: BHO 1448(23)	PROJECT LEADER: J.H.WEAVER	DRAWN BY: J.B.McQUAID
	DESIGNED BY: J.BICJA	CHECKED BY: S.T.JAMES
	WINGWALLS NO. 3A/4A DETAILS	SHEET 33 OF 54