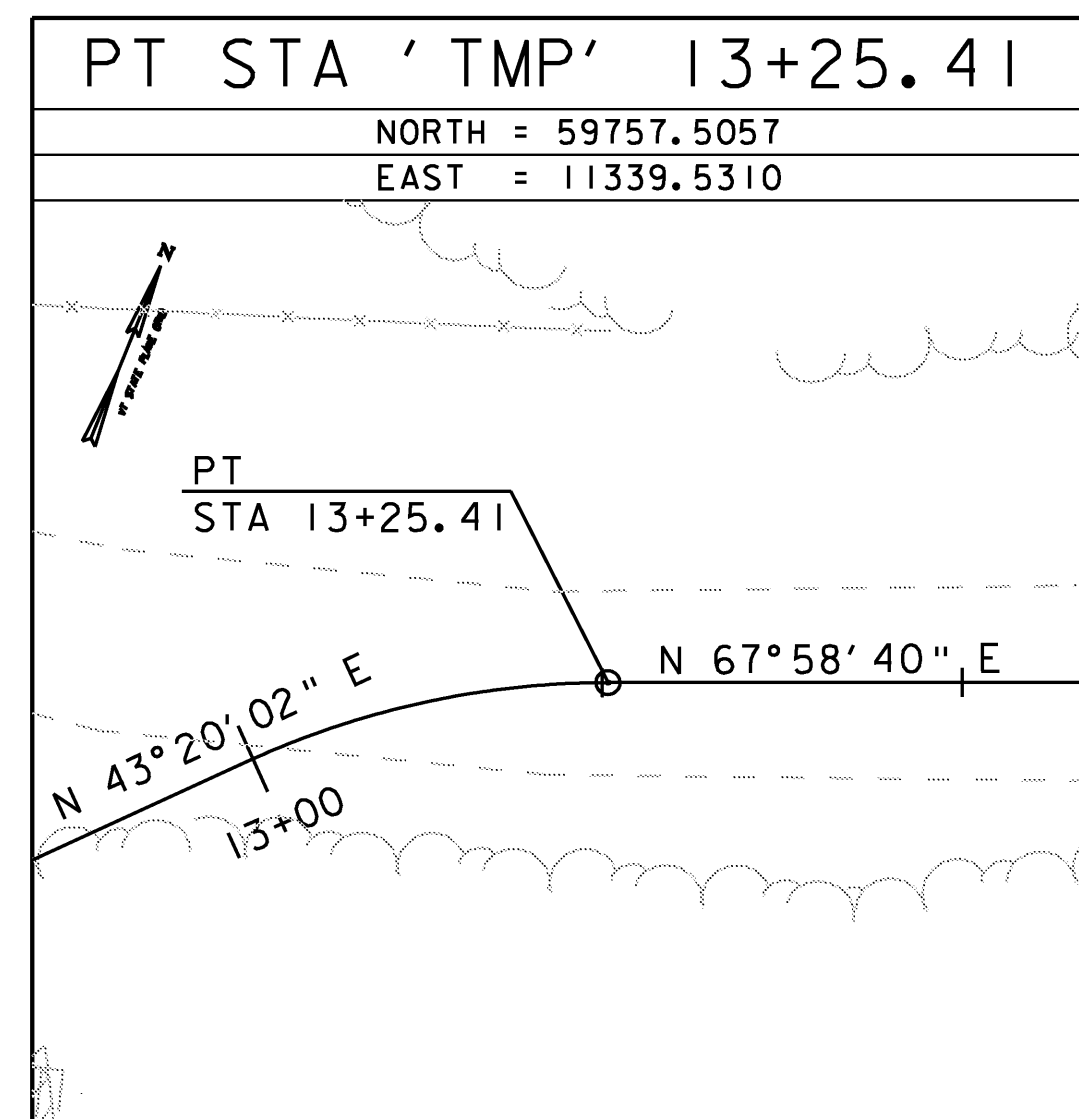
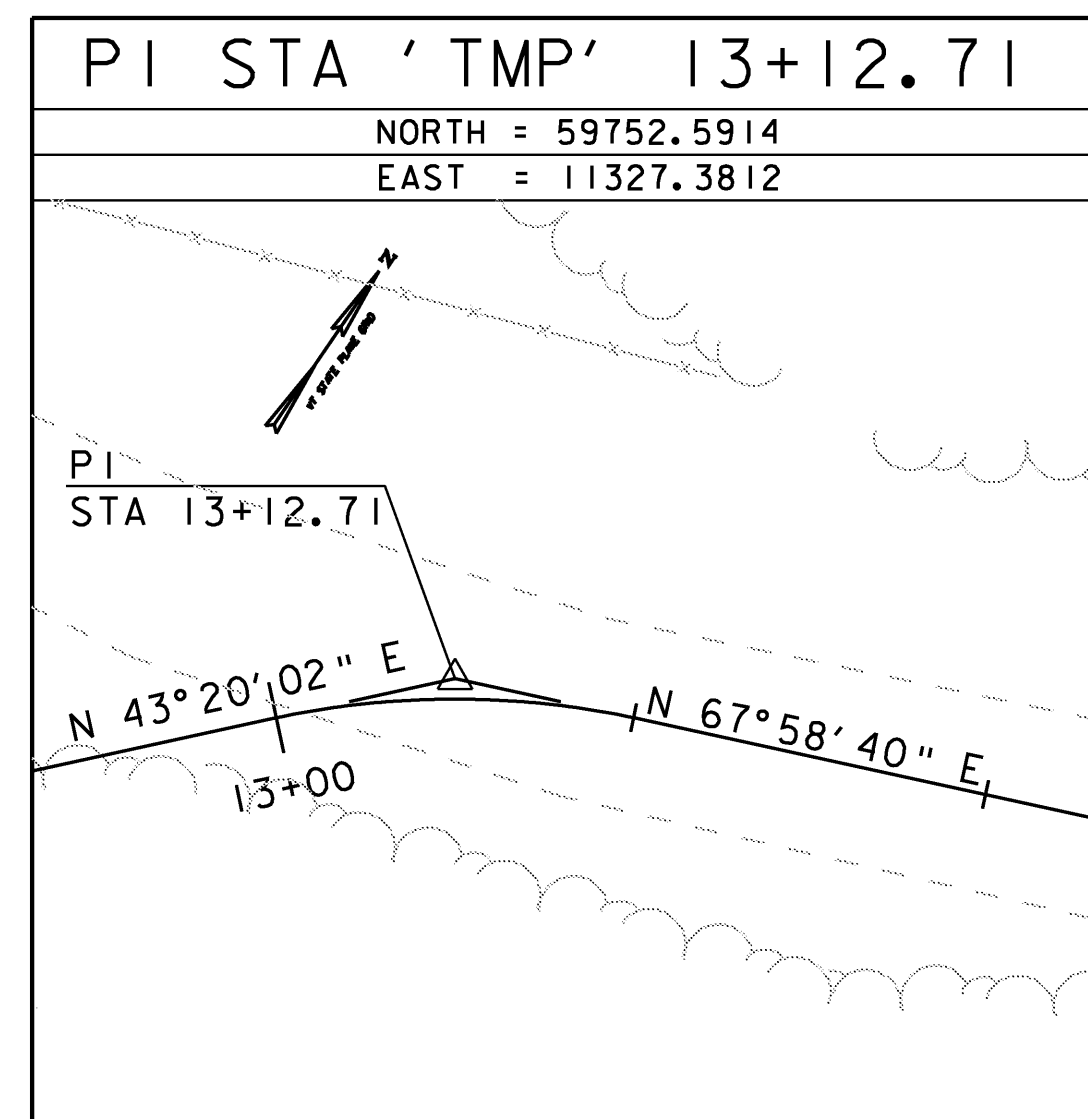
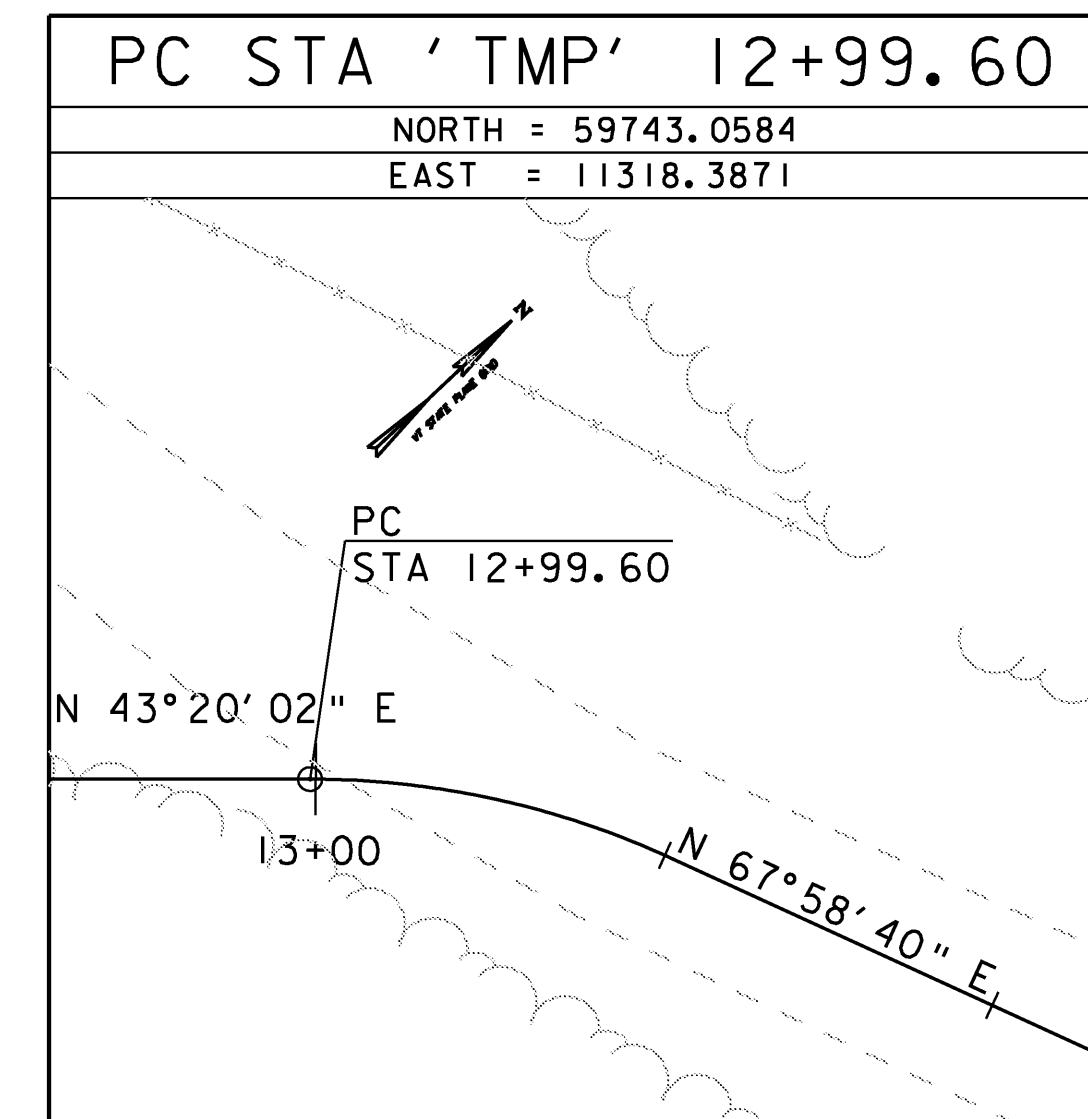
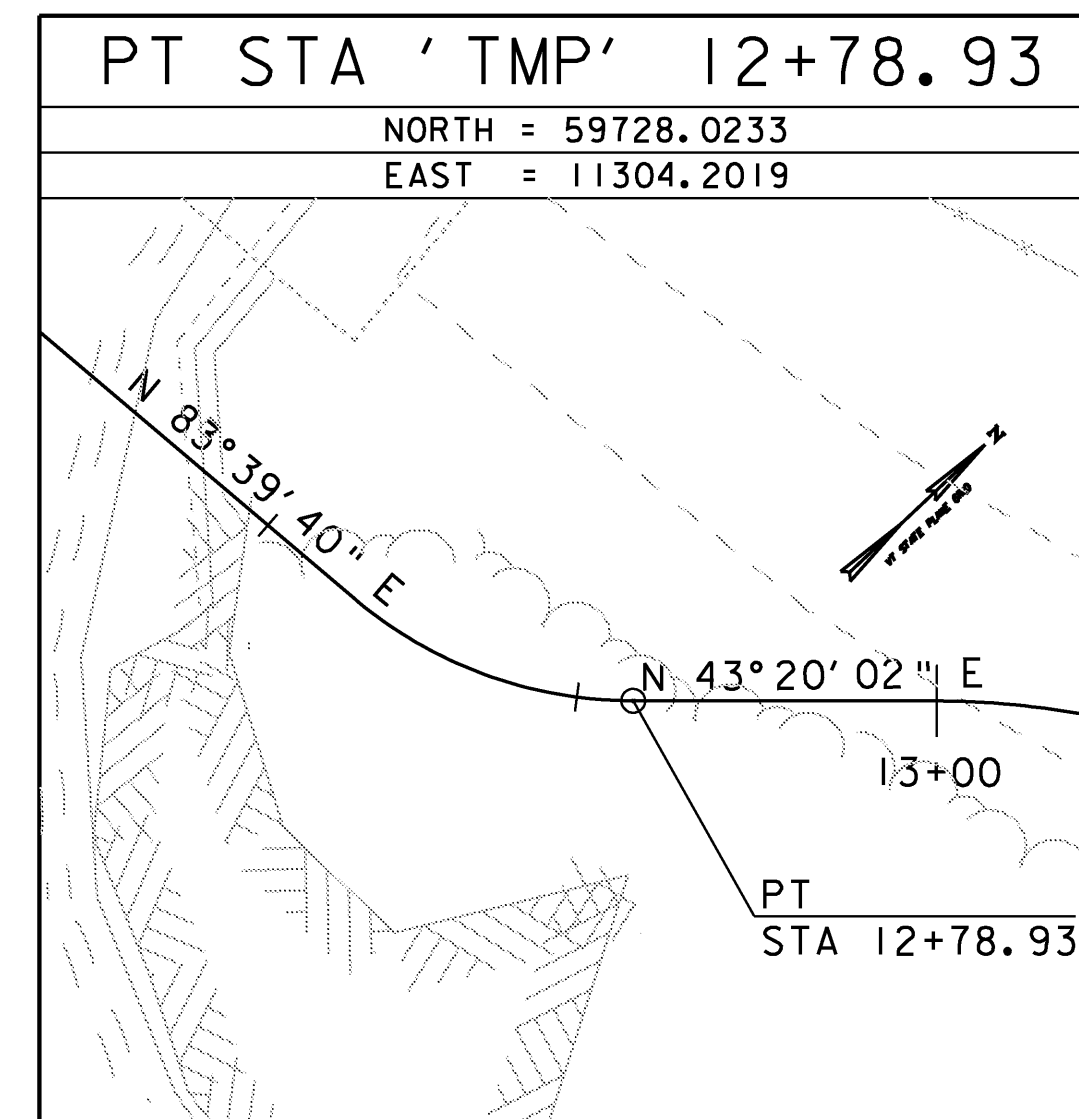
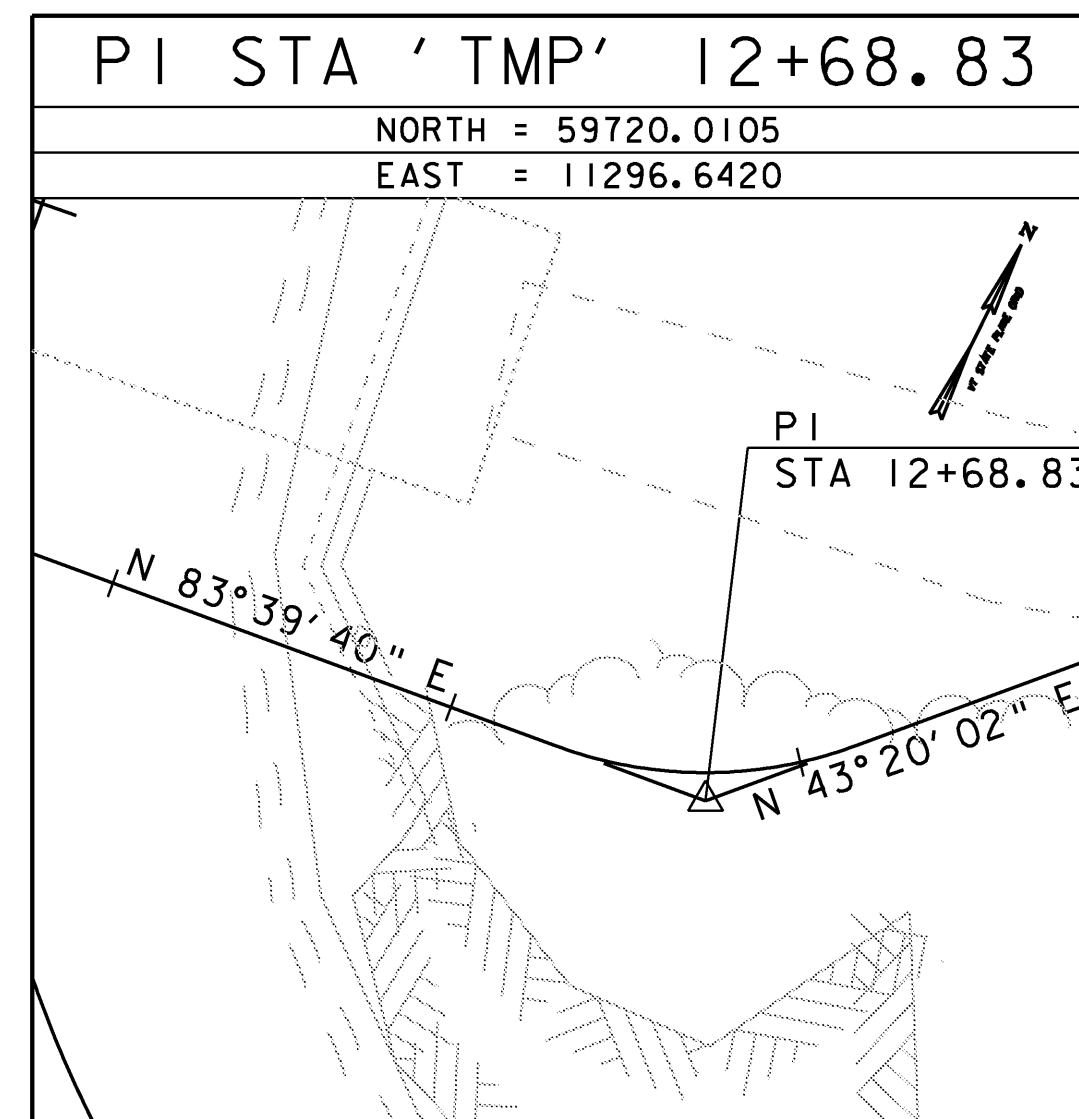
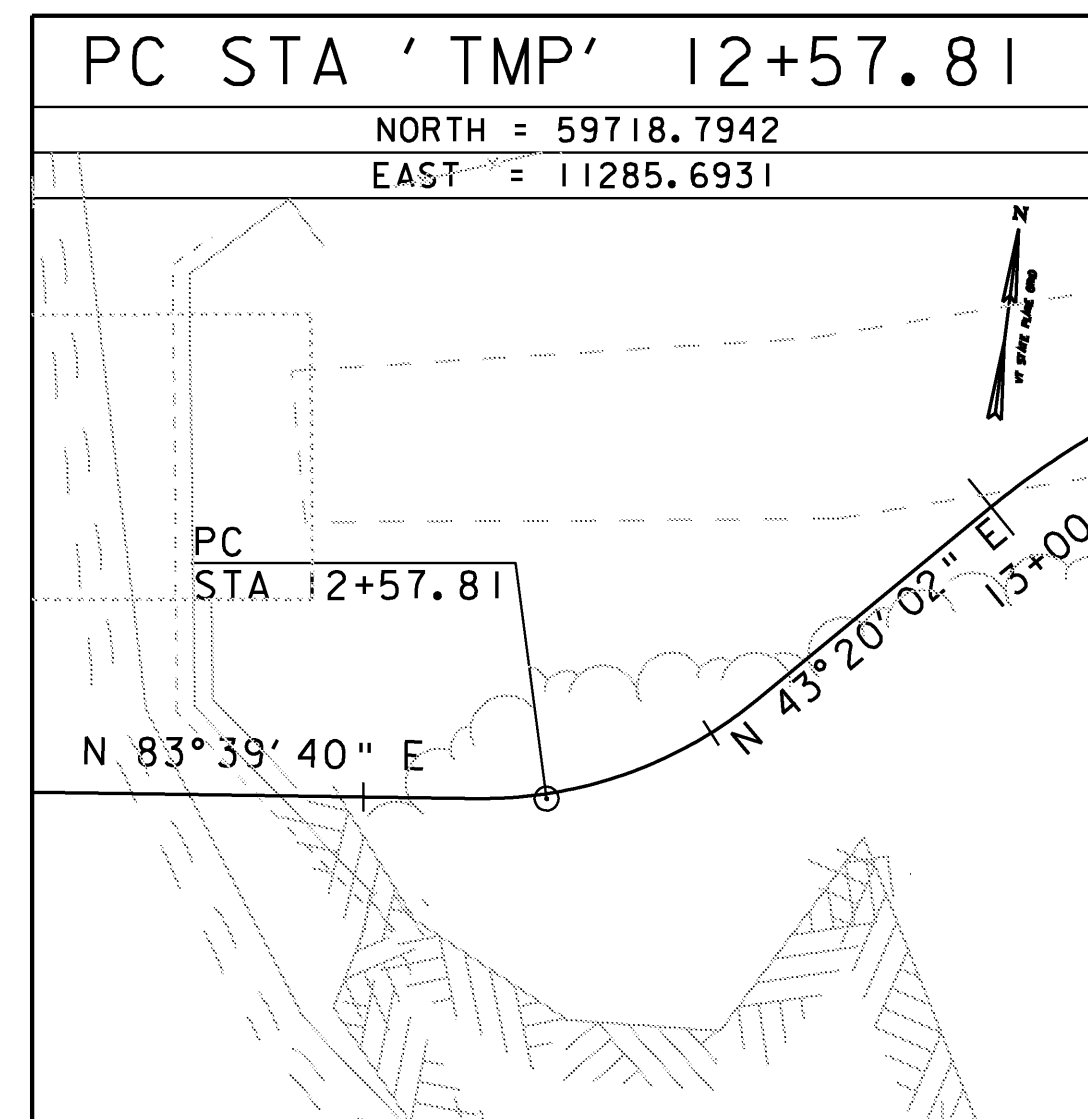
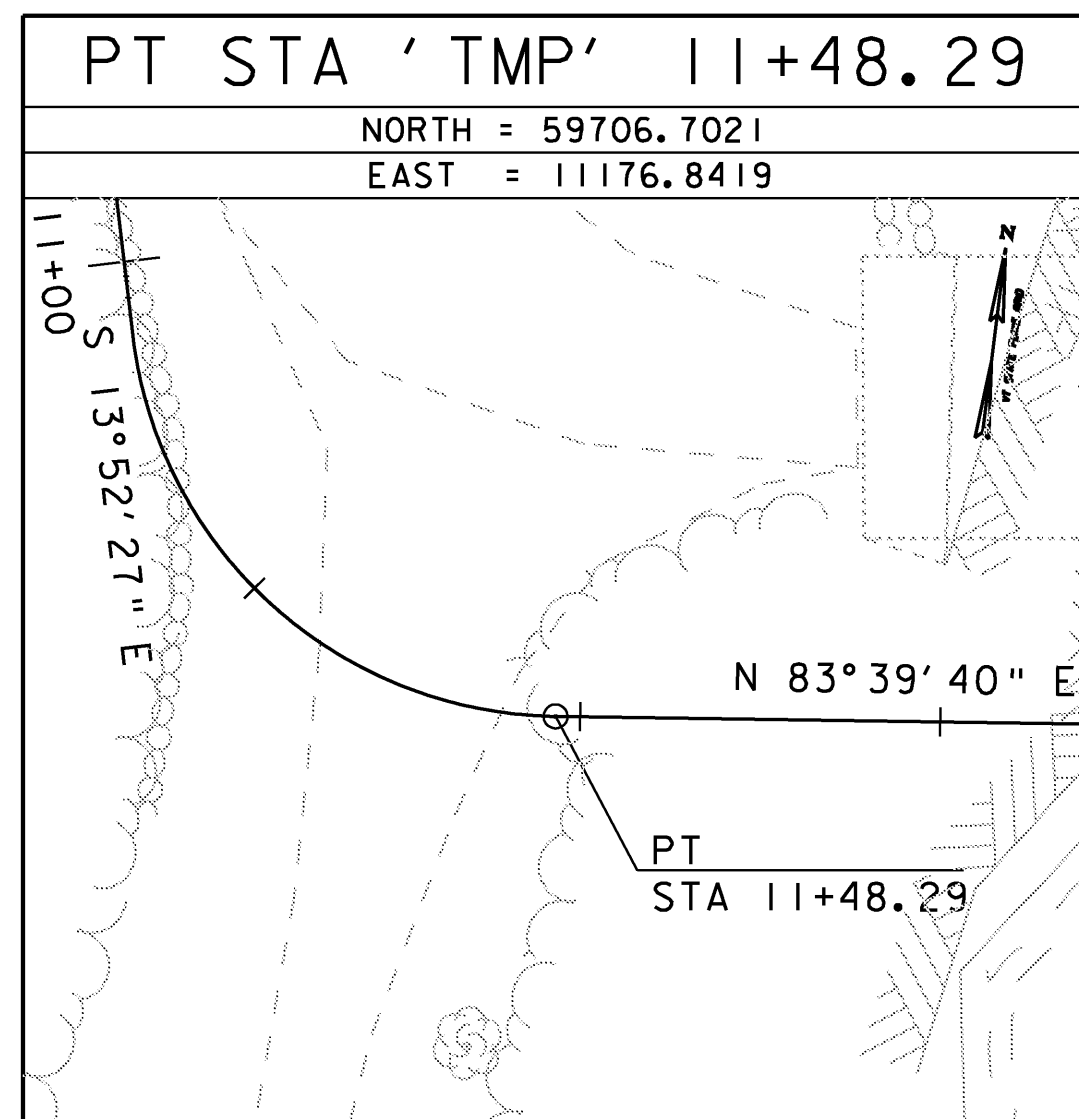
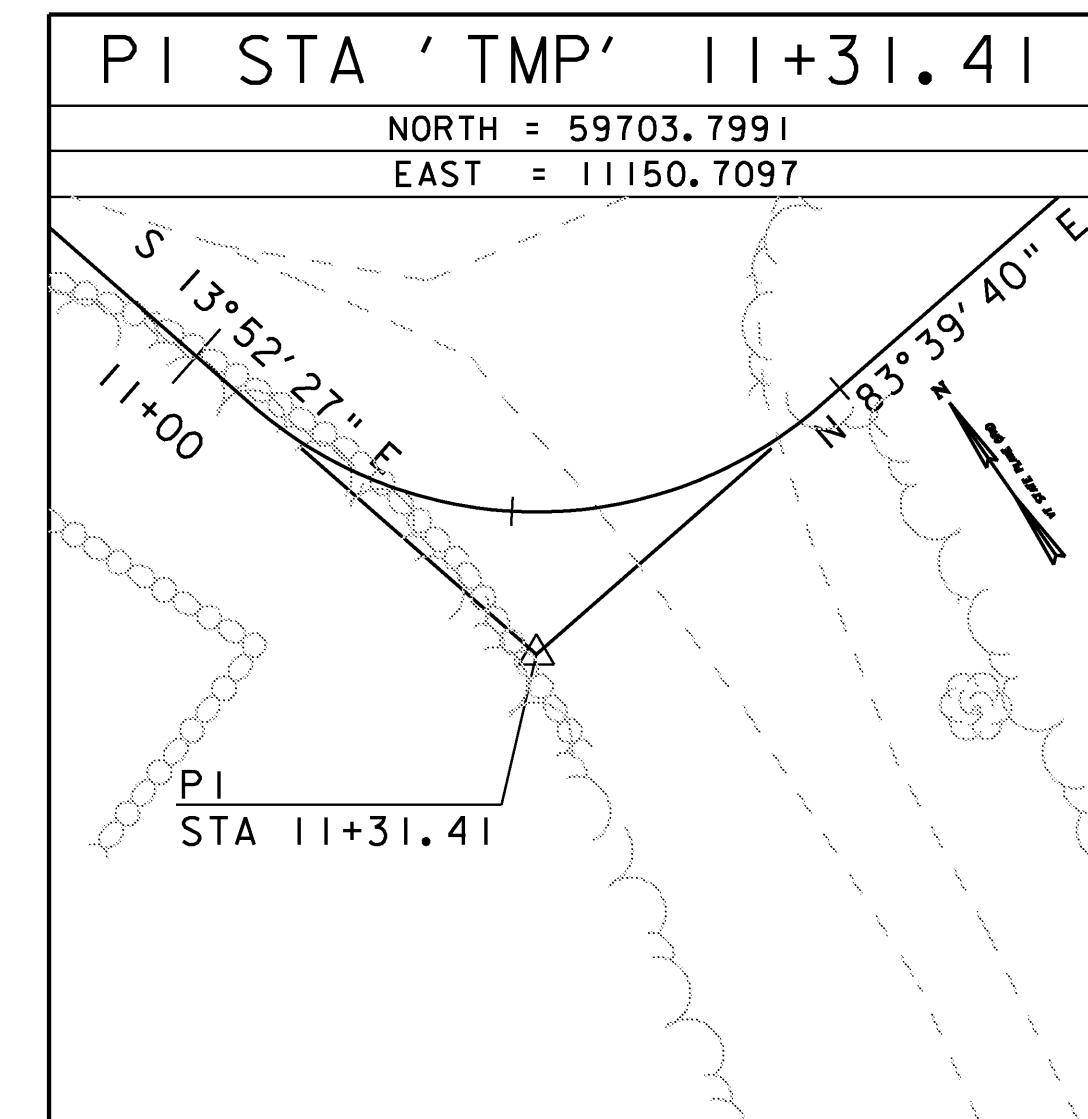
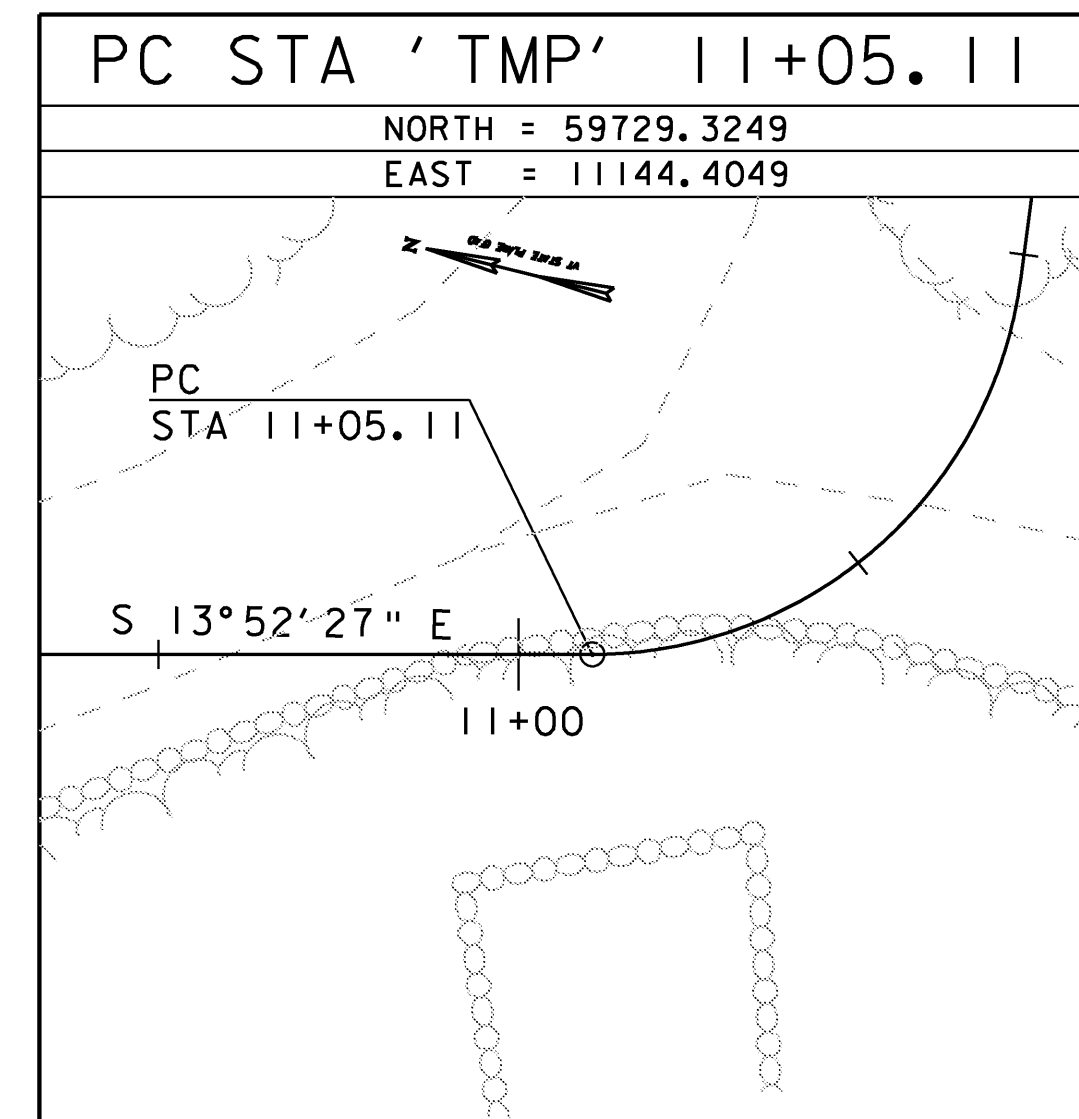
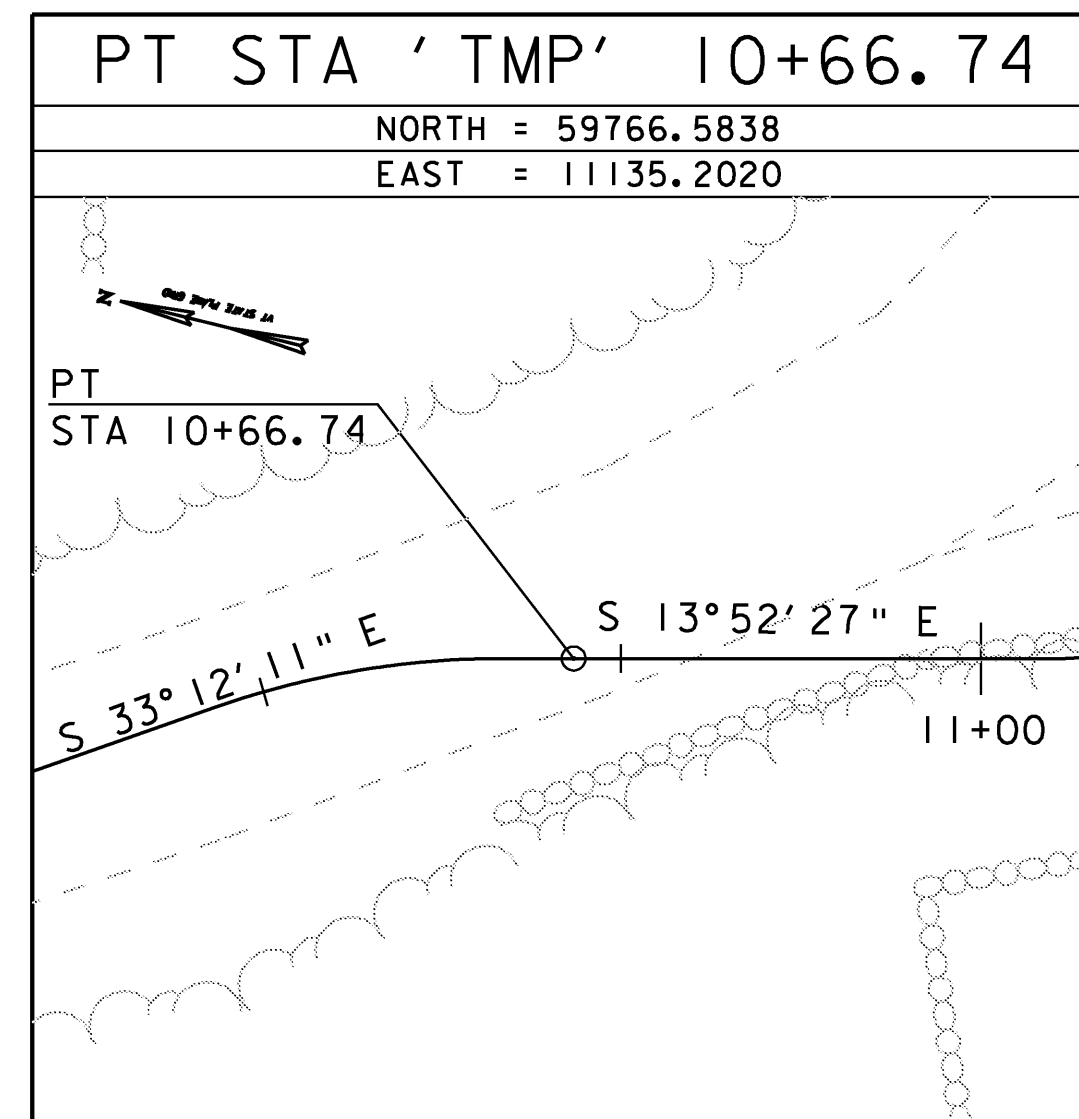
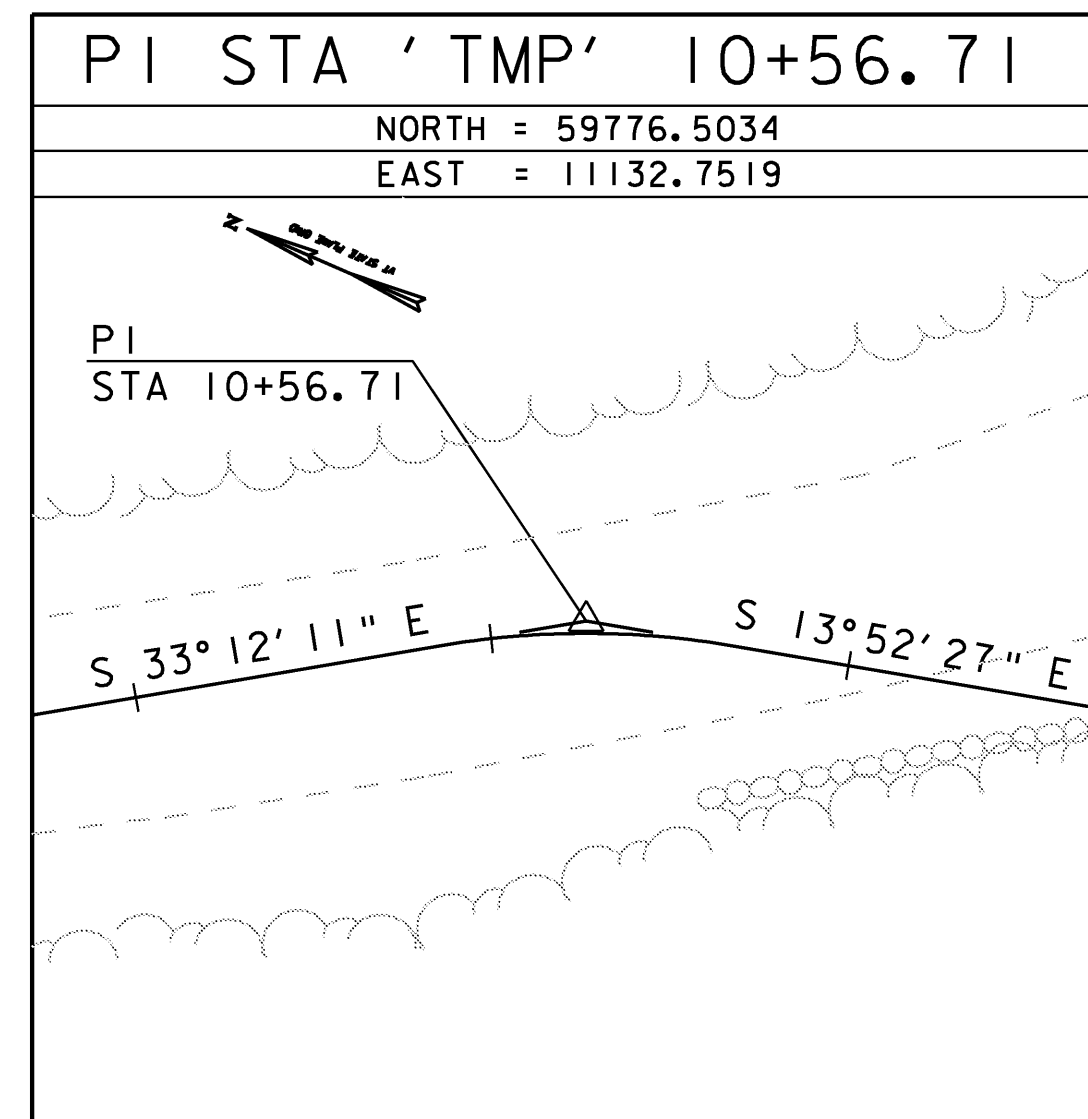
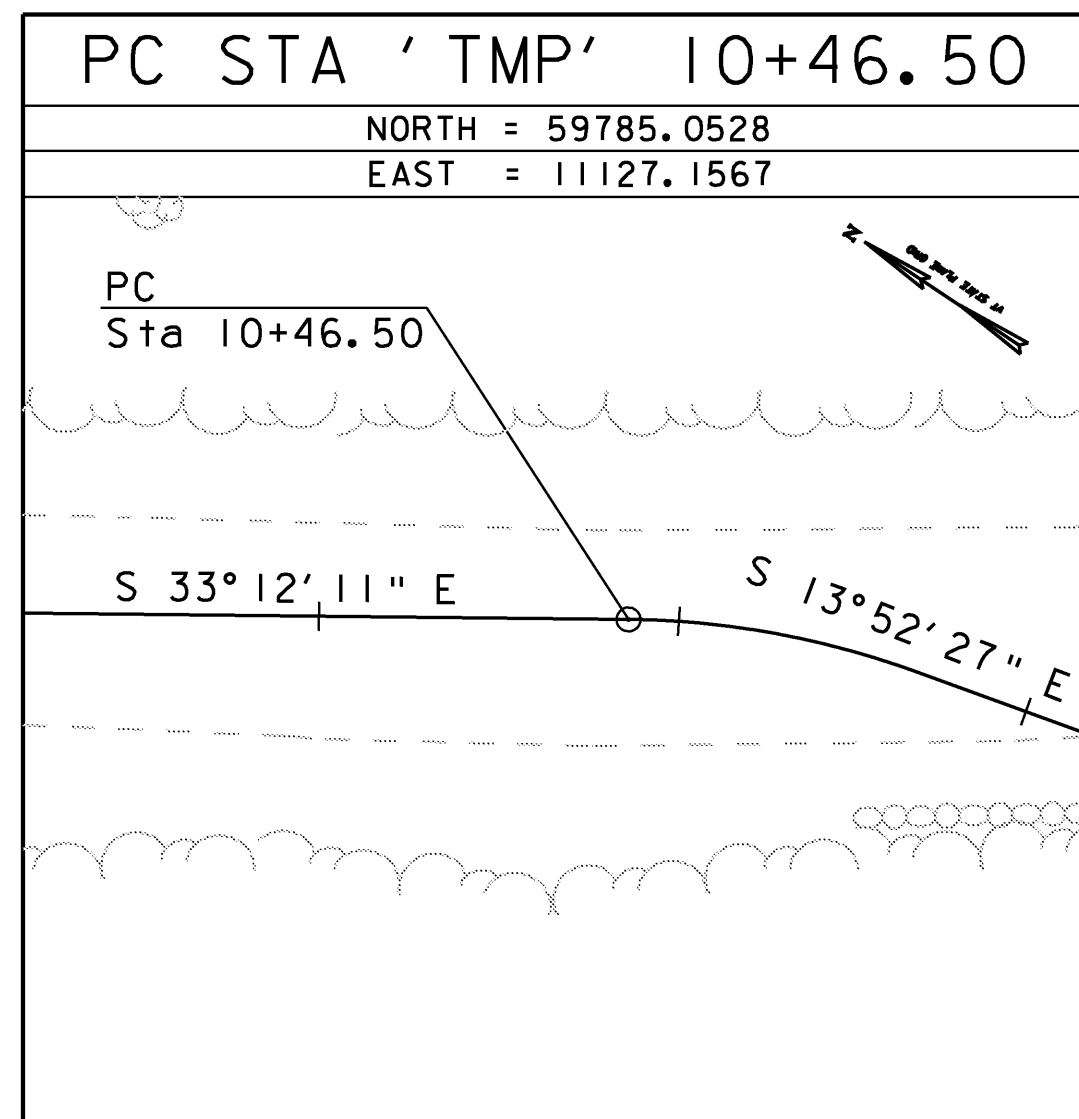


TEMPORARY ALIGNMENT TIE INFORMATION

\* ADD 800,000.00 TO THE NORTHINGS AND 1,600,000.00 TO THE EASTINGS TO BRING THIS PROJECT BACK TO VERMONT STATE PLANE GRID



DATUM	
VERTICAL	NAVD 88
HORIZONTAL	NAD 83 (92)
ADJUSTMENT	UNKNOWN

MODEL	Default
HTA PROJECT NO.	904214

Hoyle, Tanner & Associates, Inc.

PROJECT NAME: MONTGOMERY  
 PROJECT NUMBER: BHO 1448(23)

FILE NAME: Z96J3021e3.dgn  
 PROJECT LEADER: J.H.WEAVER  
 DESIGNED BY: J.BICJA  
**TEMPORARY ALIGNMENT TIE SHEET**

PLOT DATE: 8/1/2008  
 DRAWN BY: J.B.McQUAID  
 CHECKED BY: S.T.JAMES  
 SHEET 10 OF 54