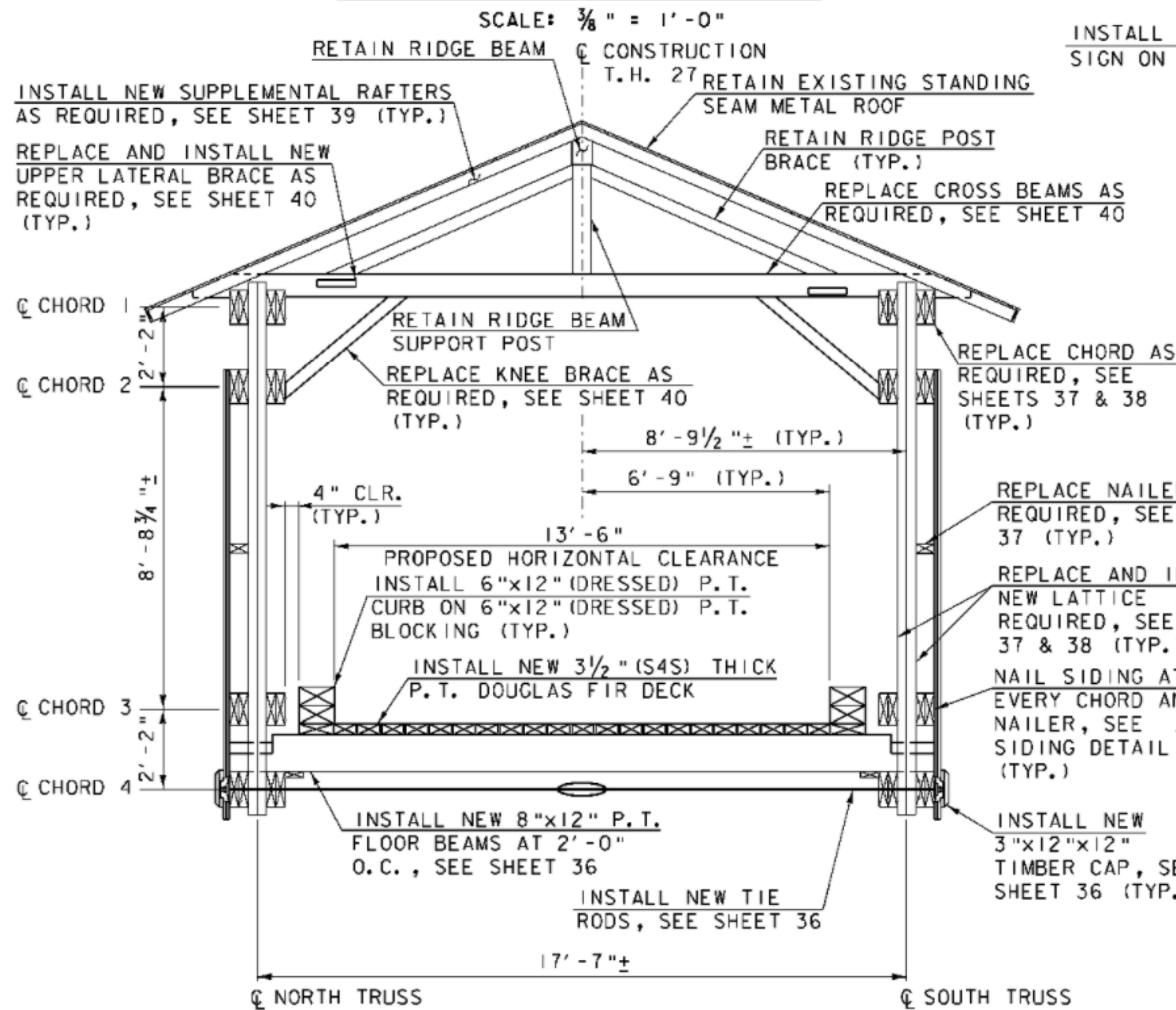


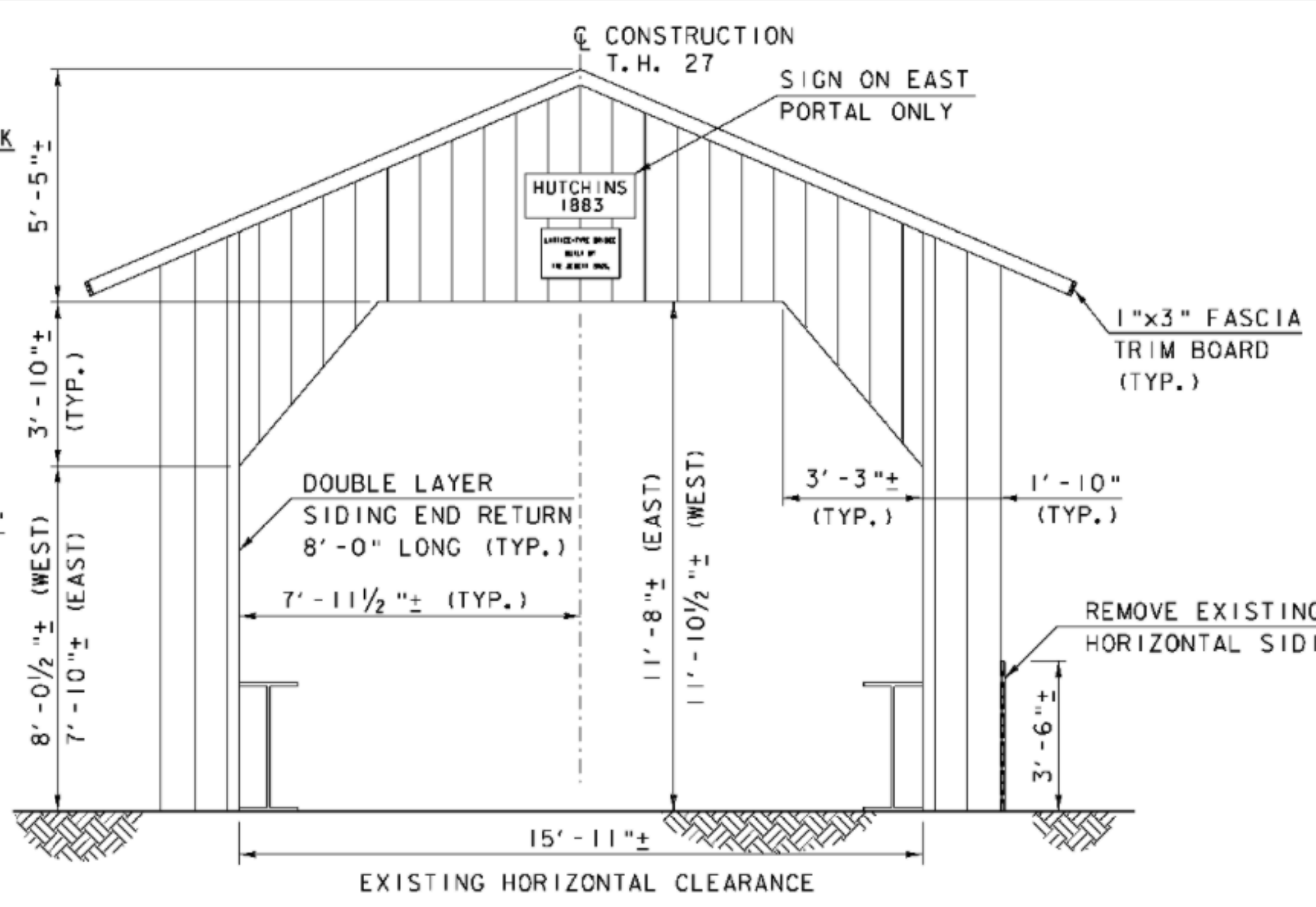
**EXISTING TYPICAL SECTION**

SCALE: 3/8" = 1'-0"



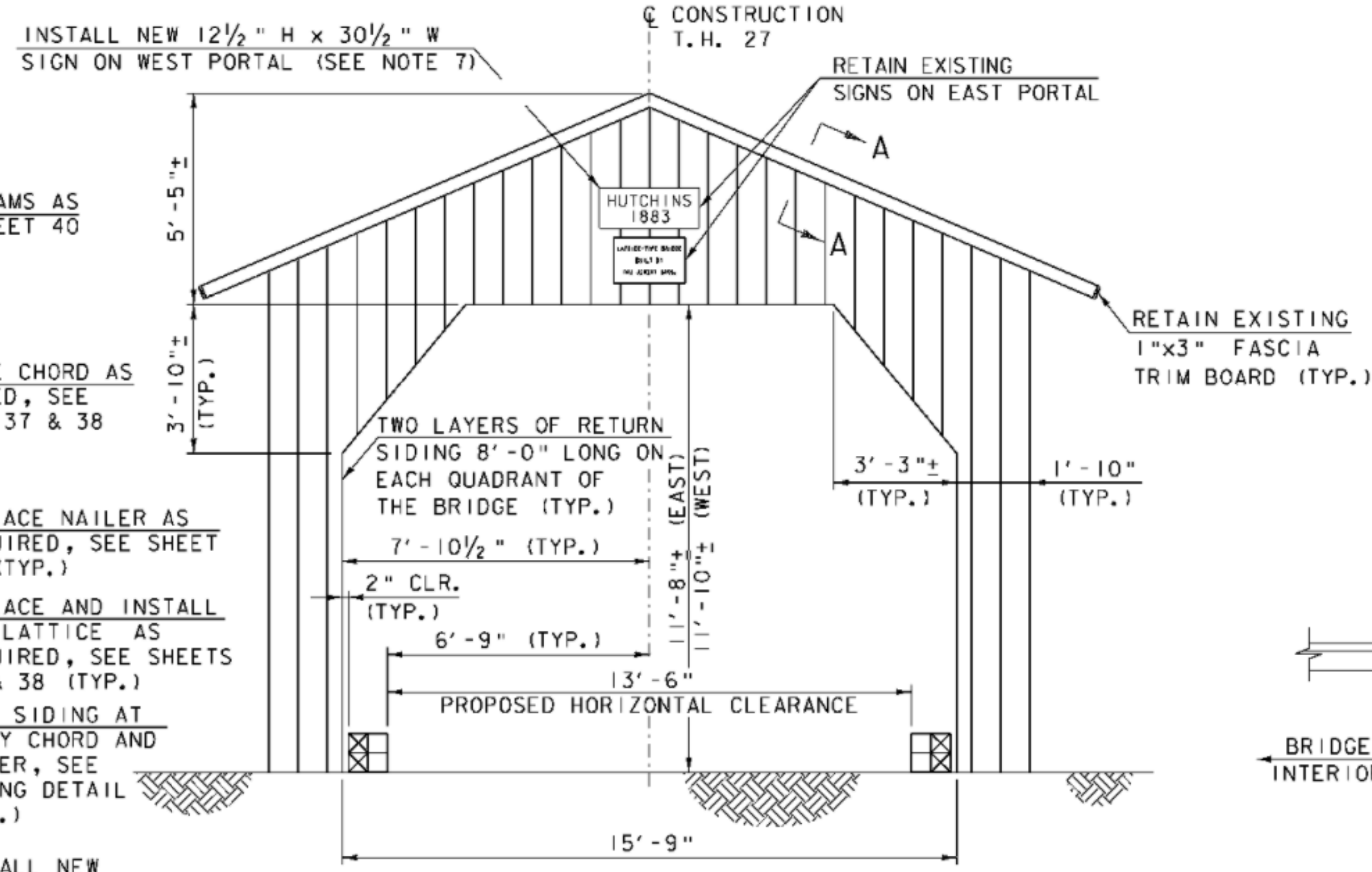
**PROPOSED TYPICAL SECTION**

SCALE: 3/8" = 1'-0"



**EXISTING PORTAL SECTION**

(WEST PORTAL SHOWN, EAST PORTAL SIMILAR)  
SCALE: 3/8" = 1'-0"



**PROPOSED PORTAL SECTION**

(WEST PORTAL SHOWN, EAST PORTAL SIMILAR)  
SCALE: 3/8" = 1'-0"

SCALE: 3/8" = 1'-0"

SCALE: 3" = 1'-0"

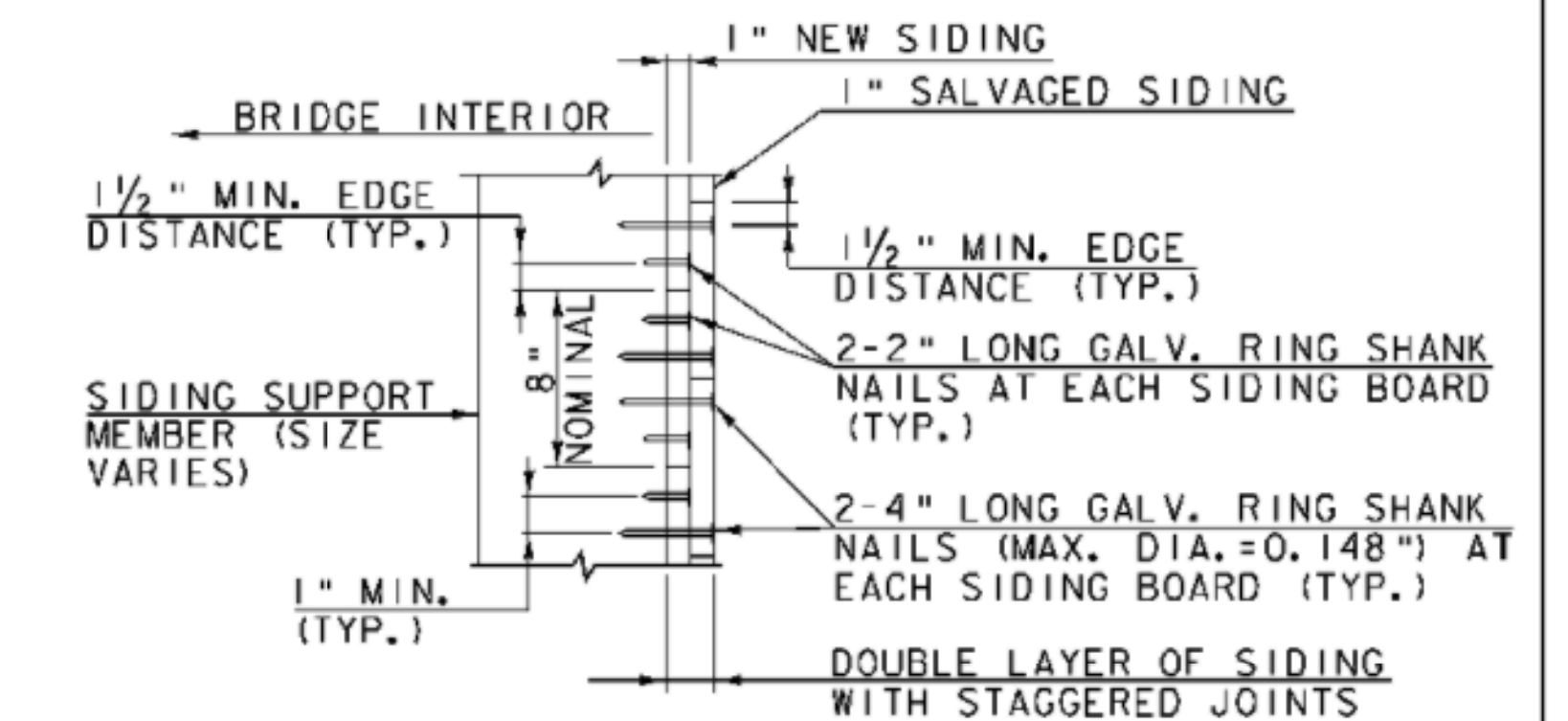
NOTE: DIMENSIONS OF TIMBER AND LUMBER MEMBERS SHOWN ON THE PLANS ARE THE ACTUAL SIZES UNLESS OTHERWISE NOTED.

**PLAN NOTES:**

1. APPLY CLEAR FIRE RETARDANT AND INSECTICIDE/FUNGICIDE TO WOODEN BRIDGE MEMBERS AS OUTLINED IN THE SPECIAL PROVISIONS OF ITEM 900.645, SPECIAL PROVISION (TIMBER PAINTING, FIRE RETARDANT) AND ITEM 900.645, SPECIAL PROVISION (TIMBER PAINTING, INSECTICIDE/FUNGICIDE).
2. EXISTING STEEL BEAMS REQUIRING REMOVAL SHALL BE CAREFULLY REMOVED FROM THE BRIDGE TO AVOID DAMAGE TO MEMBERS THAT ARE TO REMAIN. SEE GENERAL NOTE G-7 ON SHEET 27 FOR MORE INFORMATION.
3. EXISTING PORTAL SIDING OPENING DIMENSIONS VARY BY UP TO 4"±.
4. NEW SIDING BOARDS SHALL CONSIST OF SINGLE VERTICAL PIECES IN ALL LOCATIONS. HORIZONTAL JOINTS IN THE SIDING WILL NOT BE ALLOWED.
5. EXISTING SIDING IS TWO LAYERS OF 1" NOMINAL BOARDS. THE CONTRACTOR SHALL REMOVE AND SALVAGE SUFFICIENT SIDING TO MEET THE PROPOSED CONDITION. THE PROPOSED CONDITION (SEE DETAIL BELOW) IS NEW 1" THICK SIDING ON THE INTERIOR LAYER WITH SALVAGED SIDING ON THE EXTERIOR LAYER. SEE NOTE W-7.C ON SHEET 27 AND SIDING REPLACEMENT NOTES ON SHEET 28 FOR MORE INFORMATION.
6. RACKING EXISTS IN THE COVERED BRIDGE. ALL COSTS ASSOCIATED WITH STRAIGHTENING AND PLUMBING OF THE BRIDGE ARE PAID FOR UNDER ITEM 900.645, SPECIAL PROVISION (REHABILITATING COVERED BRIDGE SUPERSTRUCTURE). SEE NOTE W-9 ON SHEET 27, CAMBER NOTE 3 ON SHEET 42 AND SPECIAL PROVISION FOR ADDITIONAL WORK TO BE PAID UNDER THIS PAY ITEM.
7. THE NEW "HUTCHINS 1883" SIGN ON THE WEST PORTAL SHALL BE 1" THICK MDO PLYWOOD WITH 1"x1" TRIM BOARD ALL AROUND AND PAINTED WITH 2 COATS OF WHITE LATEX PAINT. THE LETTERING SHALL BE ENGRAVED AND MATCH THE EXISTING AS CLOSE AS POSSIBLE. FURNISHING THE COMPLETE SIGN AND INSTALLING IT AT THE SPECIFIED LOCATION ARE CONSIDERED INCIDENTAL TO ITEM 522.30, NONSTRUCTURAL LUMBER, UNTREATED.

**LEGEND:**

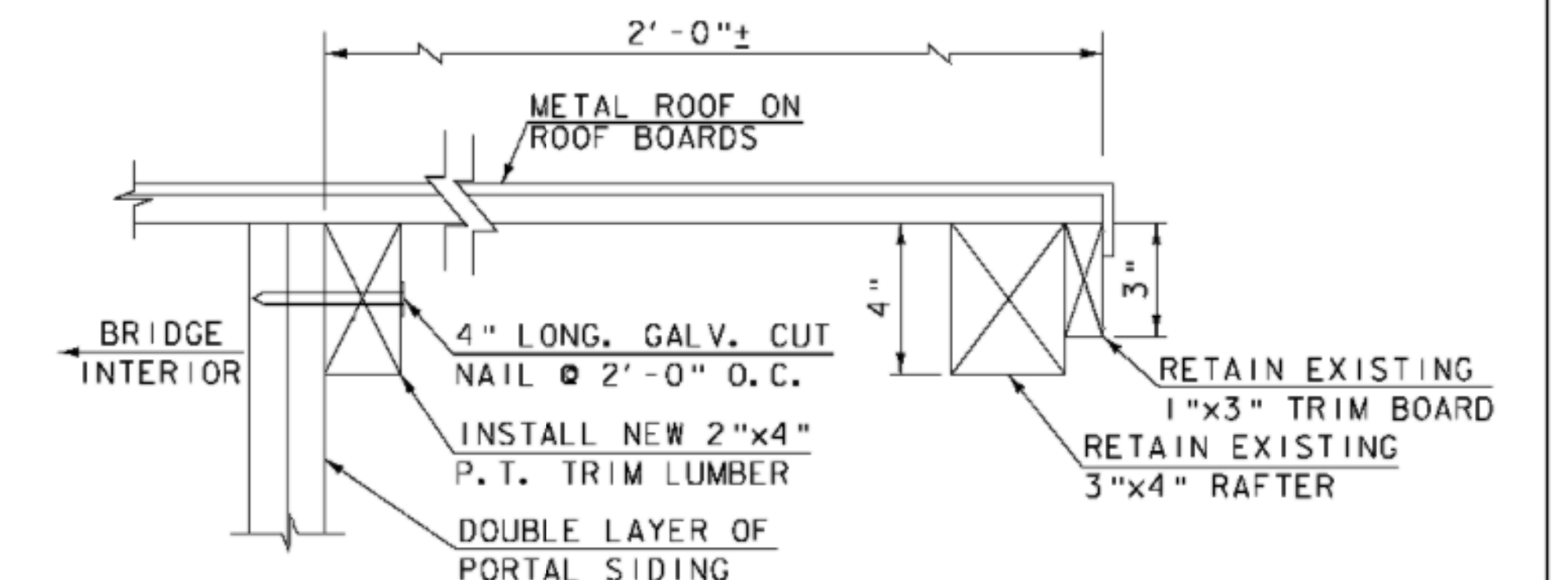
P. T. PRESSURE TREATED



**SIDING DETAIL**

(PLAN VIEW)

NOT TO SCALE



**SECTION A-A**

SCALE: 3" = 1'-0"

PROJECT NAME: MONTGOMERY

PROJECT NUMBER: BHO 1448(23)

FILE NAME: Z96J302supl.dgn

PROJECT LEADER: J.H.WEAVER

DESIGNED BY: J.BICJA

BRIDGE TYPICAL SECTIONS

PLOT DATE: 8/1/2008

DRAWN BY: J.B.MCQUAID

CHECKED BY: S.T.JAMES

SHEET 3 OF 54