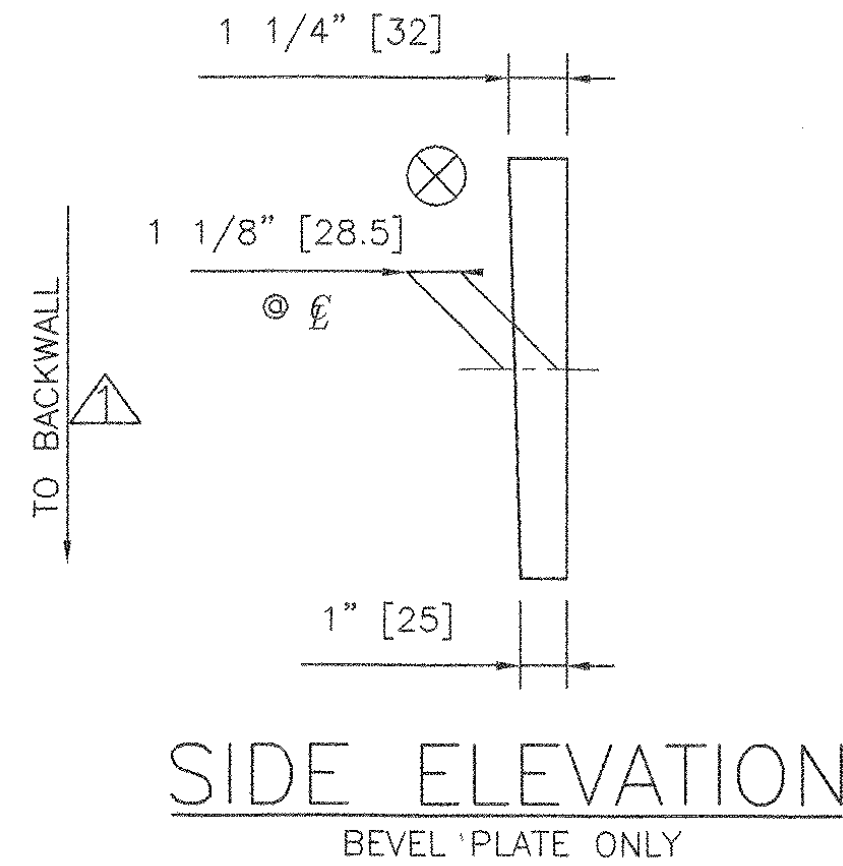
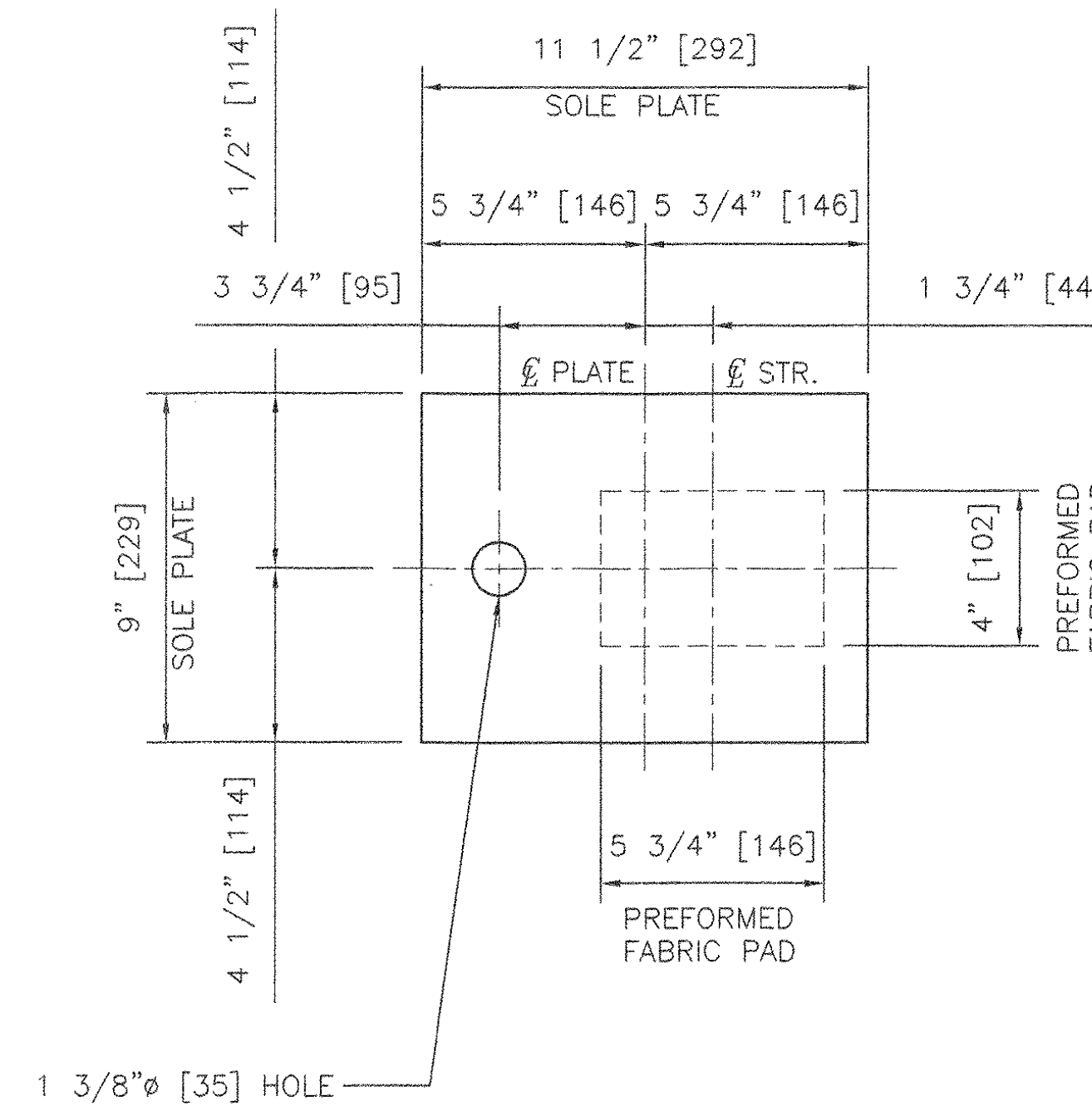


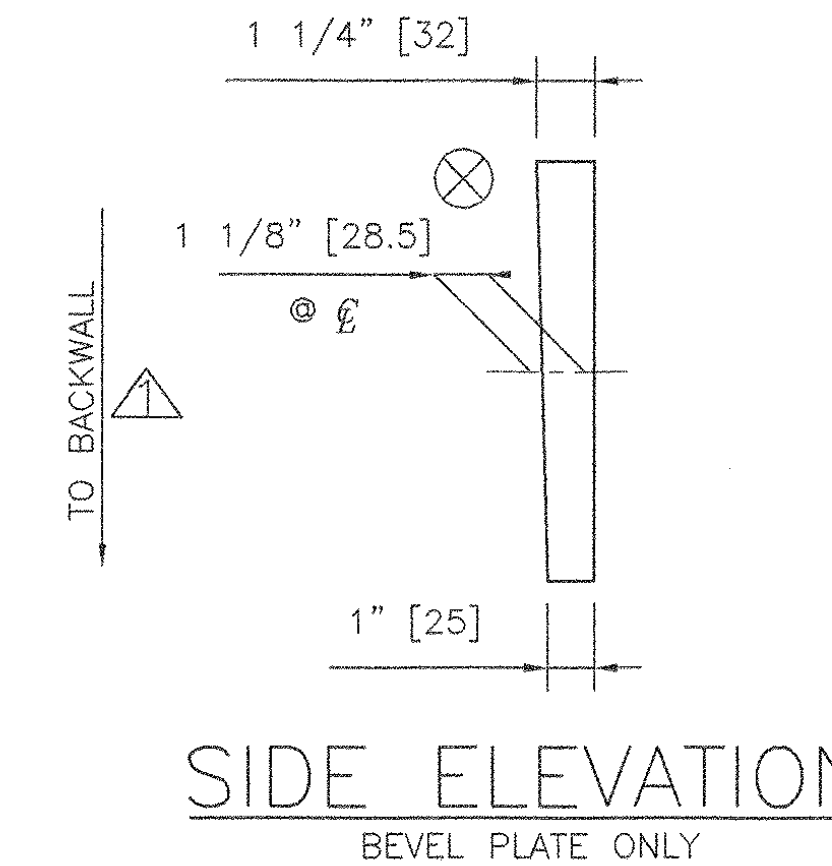
PLAN



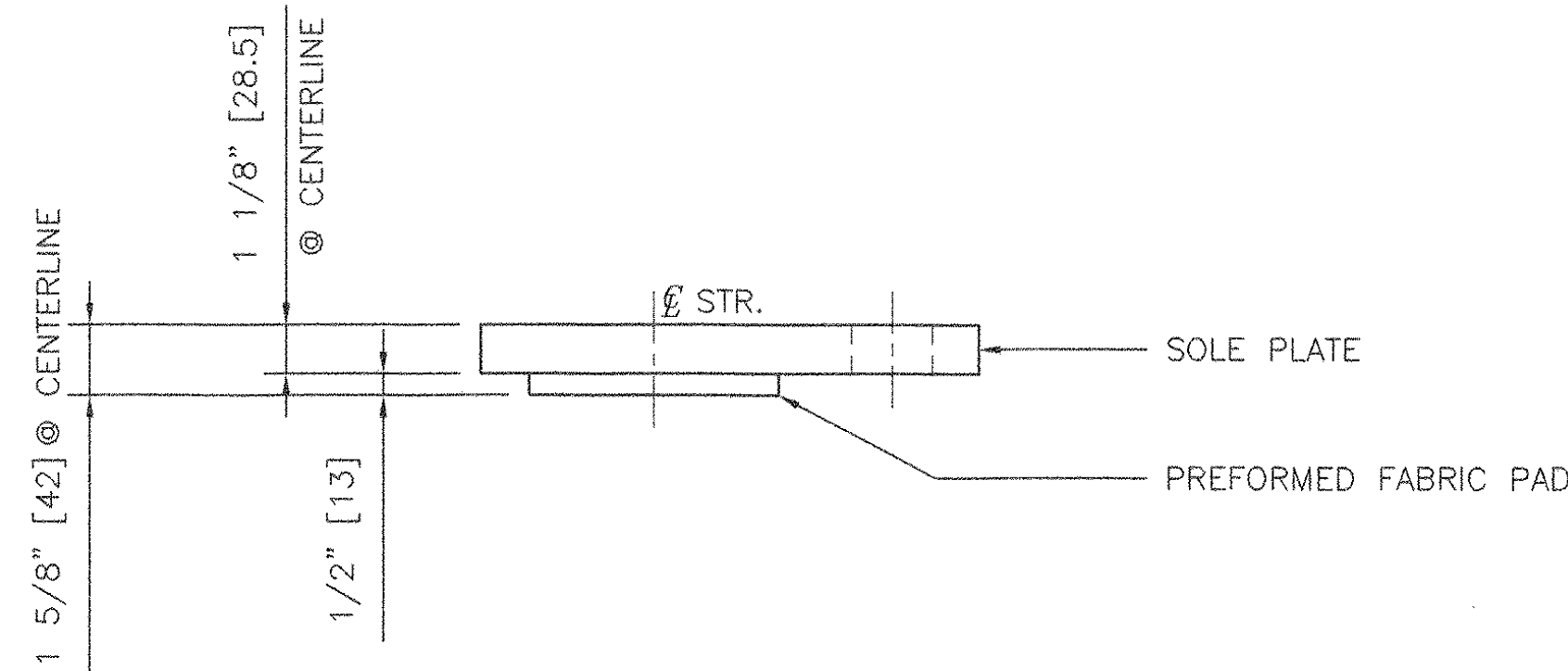
SIDE ELEVATION
BEVEL PLATE ONLY



PLAN

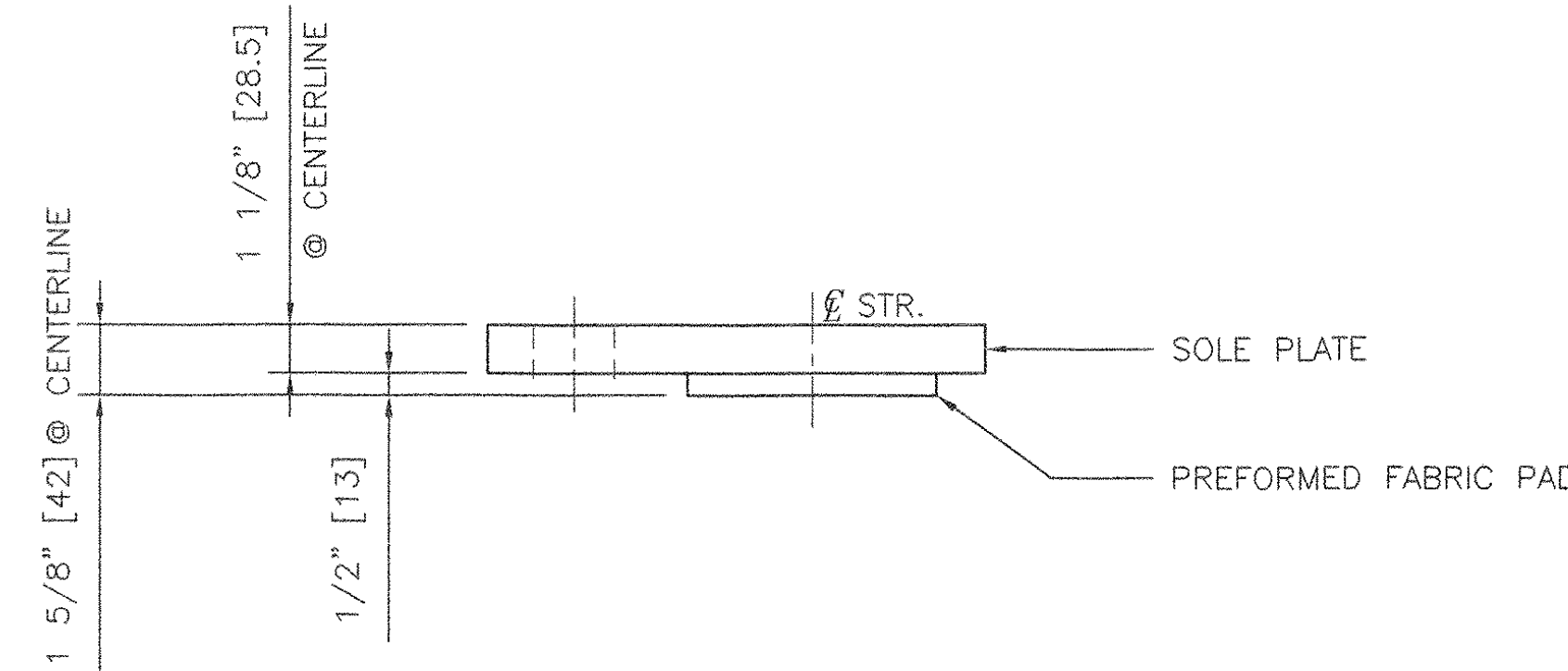


SIDE ELEVATION
BEVEL PLATE ONLY



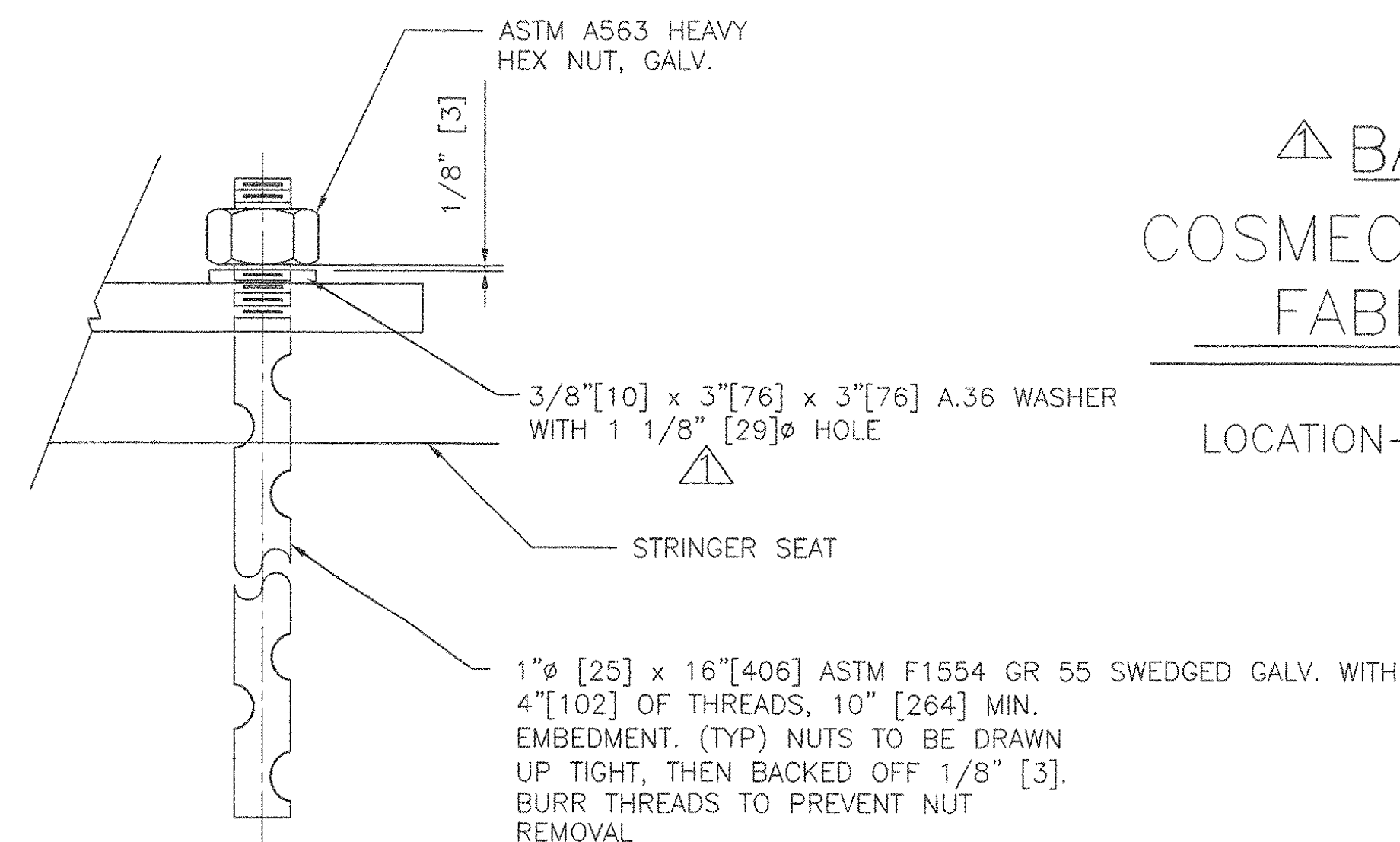
BACK ELEVATION
COSMEC FIXED PREFORMED
FABRIC PAD BEARING

QTY.- 1
LOCATION- ABUT. 1 STRINGER S1A



BACK ELEVATION
COSMEC FIXED PREFORMED
FABRIC PAD BEARING

QTY.- 1
LOCATION- ABUT. 1 STRINGER S5A



ANCHOR BOLT DETAIL

BEARING MATERIALS

1. STEEL - AASHTO M-270 GR 36 ZINC METALIZED
2. PREFORMED FABRIC PAD - AASHTO SPECIFICATION DIV.II SPEC. 18.4.9.1
3. ANCHOR BOLTS - SEE DETAIL

BEARING NOTES:

1. LOCATION OF FABRICATION - 70 SOUTH STREET WALPOLE, MA 02081
2. COSMEC, INC. REPRESENTATIVE: MR. MATT McANDREWS (508-668-6600)
3. UNITS= INCHES [MM]
4. ALL BEARING DEVICES SHALL BE ZINC METALIZED AS PER SUBSECTIONS 531.04(b) AND 506.15(c) OR (b). BEARINGS SHALL BE SEALED WITH AN APPROVED SEALER AS SPECIFIED IN STANDARD SPEC. SUBSECTION 506.15(b). AREAS OF METALIZING DAMAGED BY FIELD WELDING OR HANDLING SHALL BE PAINTED WITH AN APPROVED SEALANT, IN ACCORDANCE WITH SUPPLEMENTAL SPECIFICATION 513.06(f).
5. MAXIMUM ALLOWABLE BEARING PRESSURE ON CONCRETE= 1000 PSI
MINIMUM ALLOWABLE DESIGN ROTATION= 0.015 RADIAN
HORIZONTAL CAPACITY SHALL BE A MINIMUM OF 10% VERTICAL LOAD
DESIGN LOAD PER BEARING: 258 kN [58.10 KIPS] TRUSS
80 kN [18.00 KIPS] STRINGER
6. ⊗ MARKS HIGH END OF BEVELED

STATE OF VERMONT
AGENCY OF TRANSPORTATION

TOWN OF BRADFORD
ORANGE COUNTY
PROJECT NO. STP 1447(28)
ITEM 531.10
BRIDGE NO.22

COSMEC, INC. 70 SOUTH STREET
WALPOLE, MA. 02081

SCALE: 1/4" = 1" DRAWN BY: MAE CHECKED BY: MRR
DATE: 2/13/07 DATE: 3/5/07

COSMEC BEARINGS

RECEIVED
OK'D BY: _____ OK'D BY: *MS*
JUN 11 2007
RESUBMIT _____ APPROVED _____
BY: *CPW* DATE: *6/12/07*

REV. APPROVED AS NOTED PER DRAWINGS	BY: MM	DATE: 4/07	OK'D BY: MCM	DATE: 4/07	CUSTOMER: AUSTIN CONSTRUCTION, INC.	S.O. NUMBER: 60712	DRAWING NUMBER: 5195	REV. 1
-------------------------------------	--------	------------	--------------	------------	-------------------------------------	--------------------	----------------------	--------