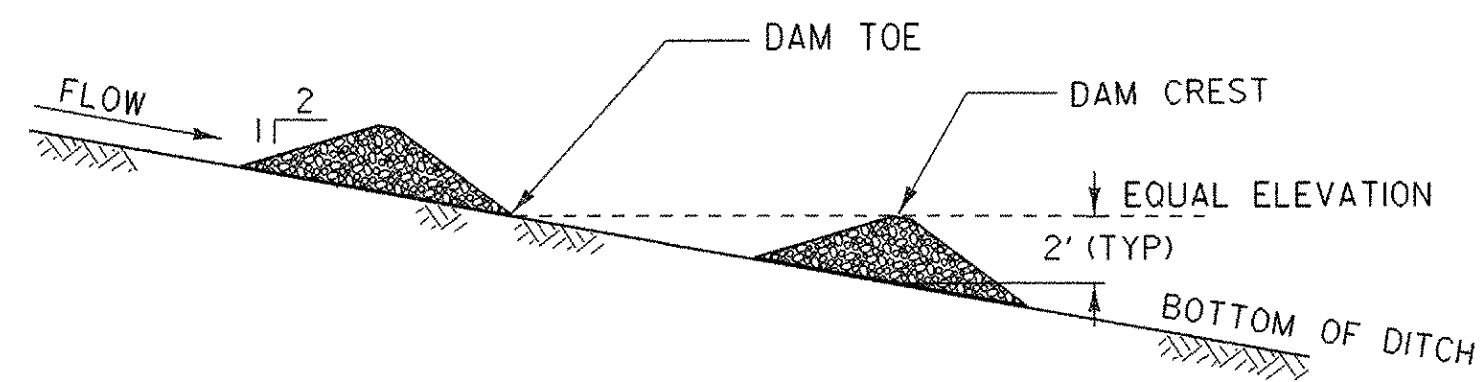
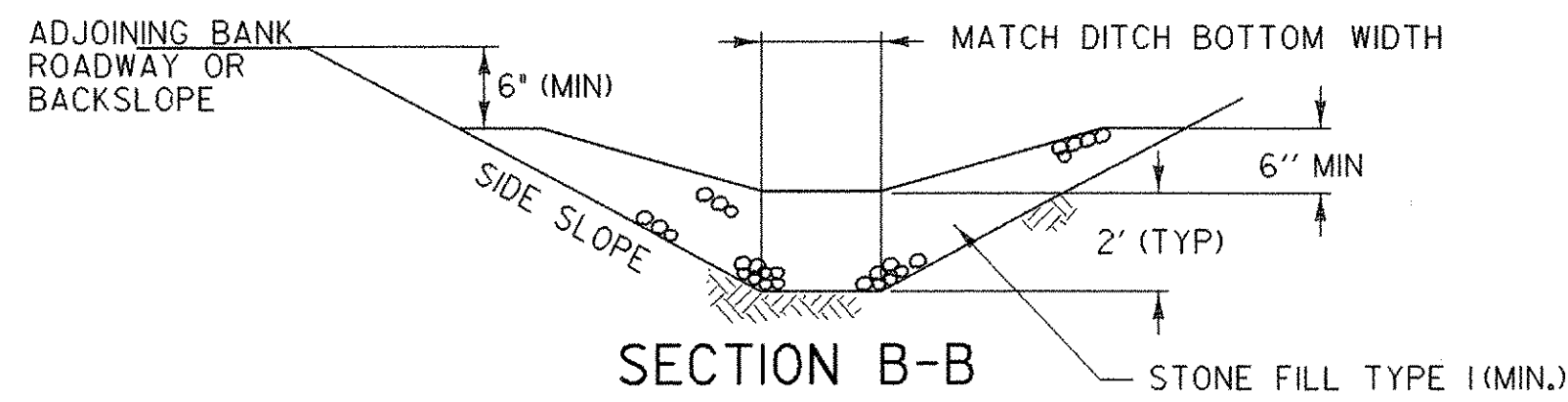


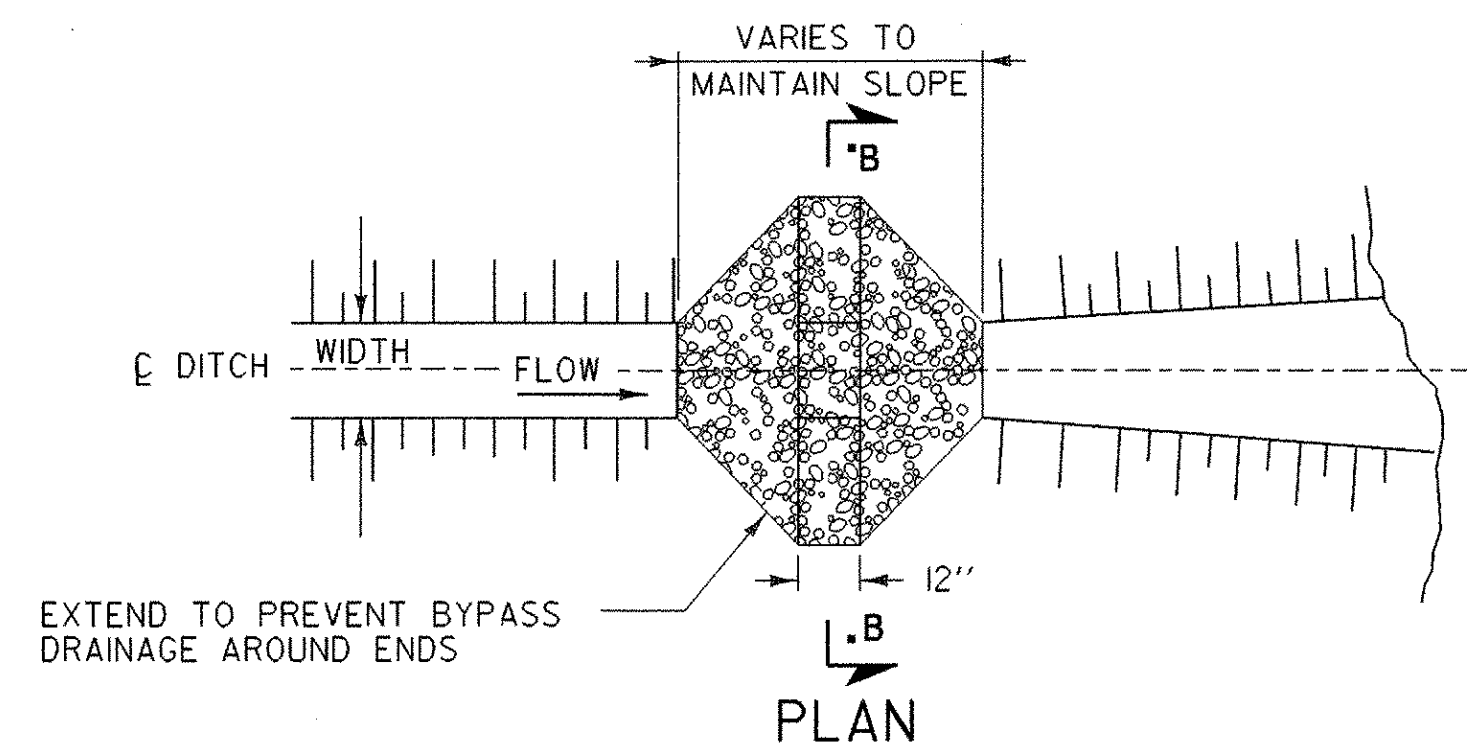
CROSS SECTION



PROFILE



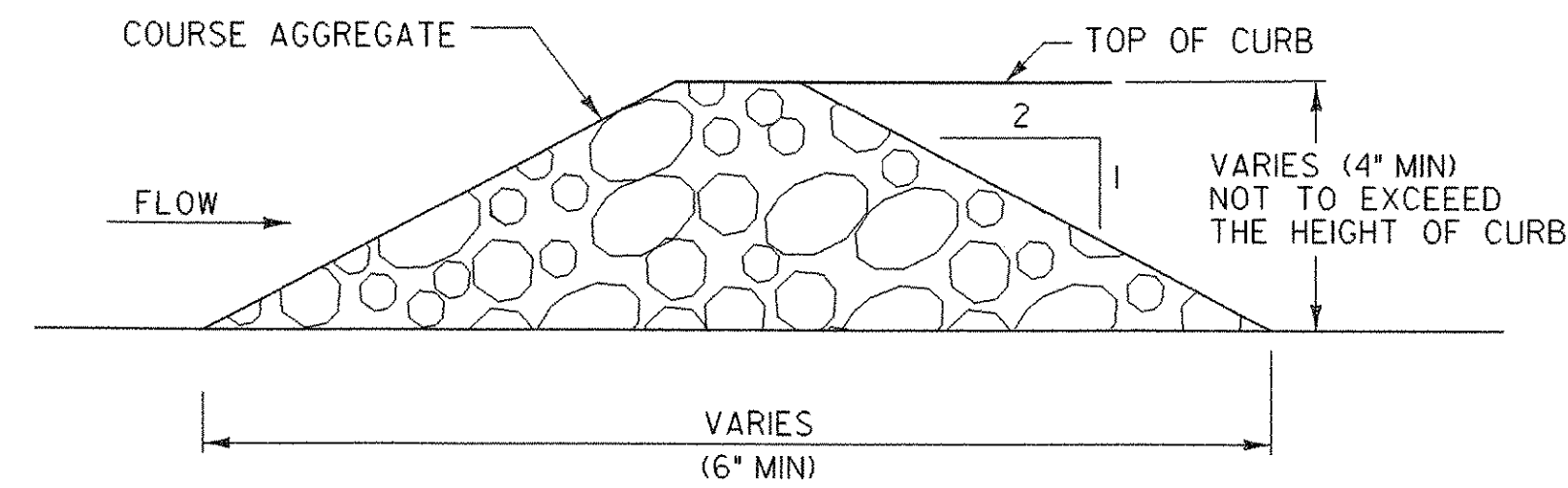
SECTION B-B



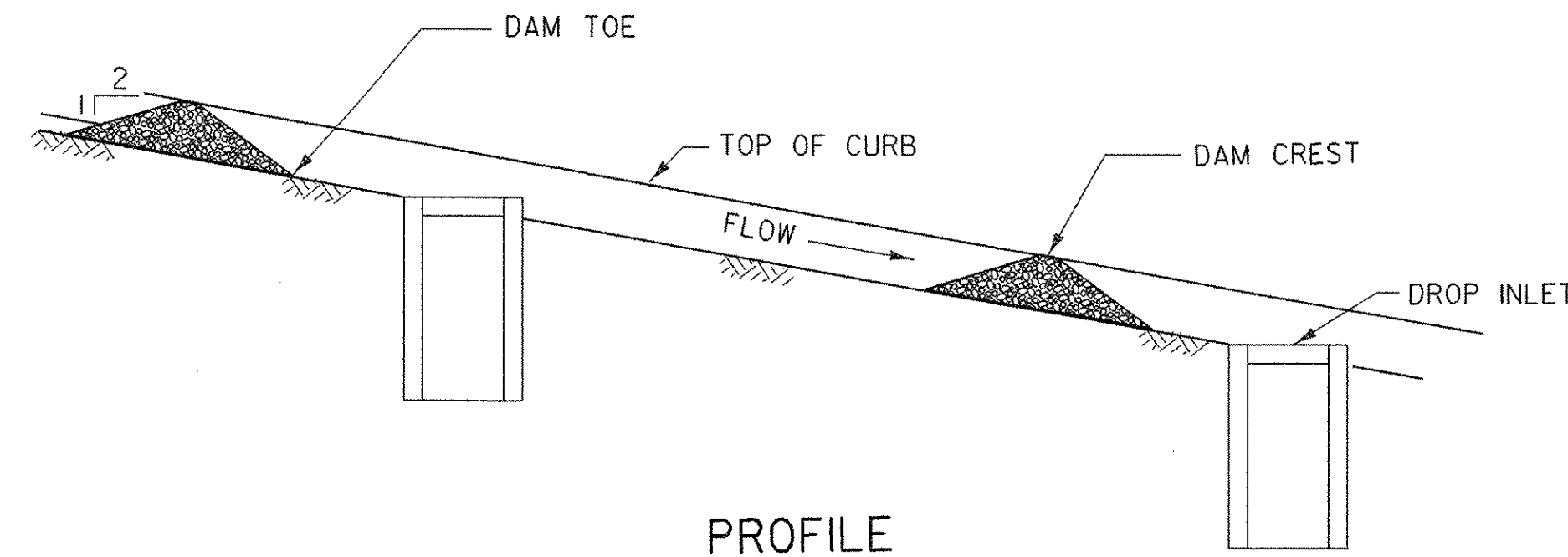
PLAN

TEMPORARY STONE CHECK DAM TYPE I

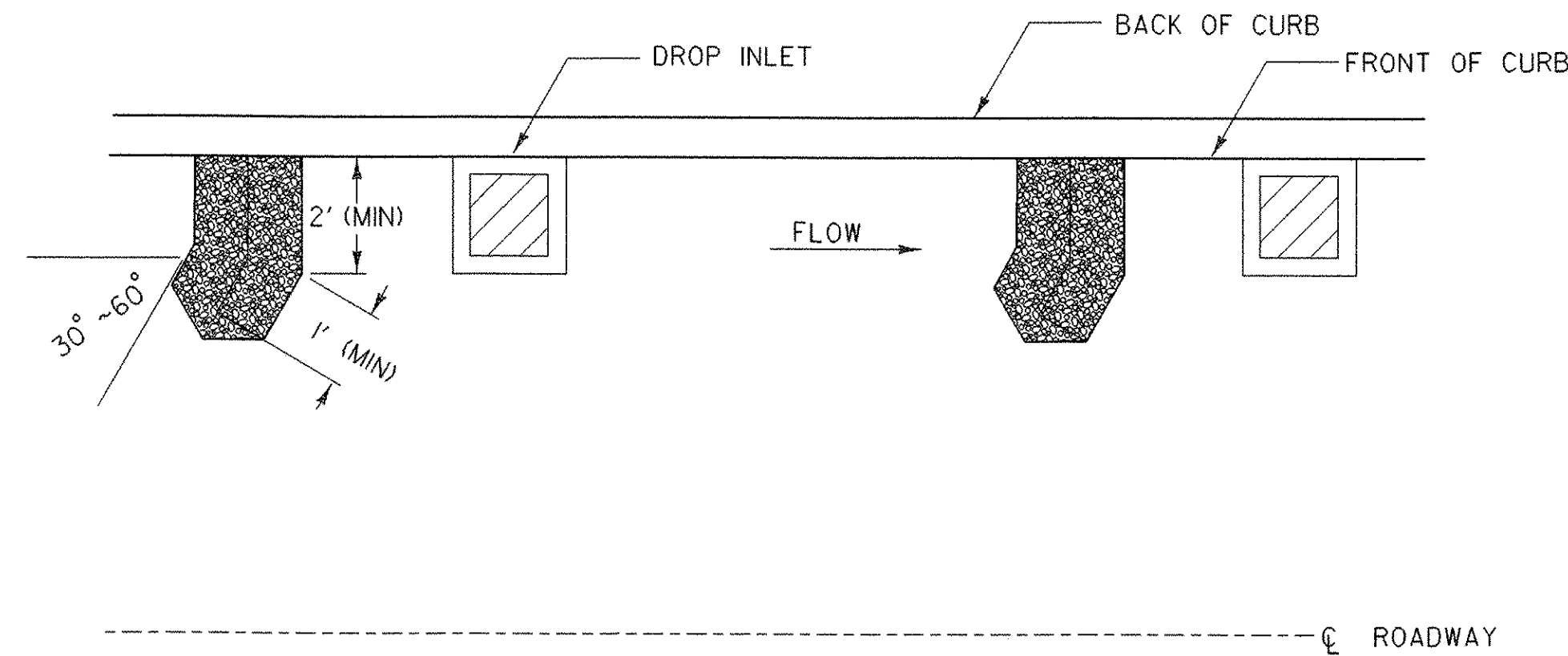
NOT TO SCALE



CROSS SECTION



PROFILE



PLAN

TEMPORARY STONE CHECK DAM TYPE II

NOT TO SCALE

## TEMPORARY CHECK DAMS

### APPLICATION NOTES:

- TEMPORARY CHECK DAM TYPE I IS USED FOR CHANNEL FLOW, CHECK DAM TYPE II IS USED FOR FLOW ALONG A CURB.
- THE PRIMARY PURPOSE OF A TEMPORARY STONE CHECK DAM (TYPE I) IS TO REDUCE EROSION IN A CHANNEL BY REDUCING FLOW VELOCITY.
- THE PRIMARY PURPOSE OF A TEMPORARY STONE CHECK DAM (TYPE II) IS TO LIMIT THE AMOUNT OF SEDIMENT ENTERING A CLOSED DRAINAGE SYSTEM WITH STORMWATER RUNOFF.
- TEMPORARY CHECK DAMS WILL CAPTURE SEDIMENT THAT FALLS OUT OF SUSPENSION BEHIND THE CHECK DAMS DUE TO DECREASED VELOCITY. CHECK DAMS ARE NOT INTENDED TO FILTER SEDIMENT FROM STORMWATER.
- DETAILS SHOWN SHALL BE USED FOR TEMPORARY INSTALLATION ONLY.
- USE OF PREFABRICATED TEMPORARY CHECK DAMS SHALL BE AS APPROVED IN THE EPSCP.

### GENERAL NOTES:

- GEOTEXTILE SHALL BE INSTALLED UNDER TEMPORARY STONE CHECK DAMS TYPE I. IT SHALL BE KEYED IN ON THE UPHILL END AND SHALL EXTEND 2 FEET BEYOND THE STONE ON THE DOWNHILL END.
- STONE FOR TEMPORARY STONE CHECK DAMS SHALL MEET THE GRADATION REQUIREMENTS SPECIFIED IN THE CONTRACT DOCUMENTS.
- PREFABRICATED TEMPORARY CHECK DAMS SHALL BE INSTALLED PER MANUFACTURERS RECOMMENDATIONS.
- TEMPORARY CHECK DAMS SHALL BE INSPECTED EVERY SEVEN (7) CALENDAR DAYS AND WITHIN 24 HOURS OF A STORM EVENT GREAT ENOUGH TO CAUSE WATER TO LEAVE THE CONSTRUCTION SITE.
- TEMPORARY CHECK DAMS SHALL BE CLEANED AND REPAIRED AS NEEDED. SEDIMENT SHALL BE REMOVED WHEN ACCUMULATION REACHES ONE-HALF OF THE HEIGHT OR AS RECOMMENDED BY THE MANUFACTURER. SEDIMENT SHALL BE DISPOSED OF AT AN APPROVED WASTE SITE.
- AT TIME OF REMOVAL OF THE TEMPORARY CHECK DAM, THE DISTURBED AREA SHALL BE REPAIRED AND STABILIZED.

| STONE CHECK DAM PLACEMENT INTERVAL |                       |
|------------------------------------|-----------------------|
| DITCH SLOPE                        | PLACEMENT INTERVAL ** |
| 1%                                 | 200 FT                |
| 2%                                 | 100 FT                |
| 3%                                 | 65 FT                 |
| 4%                                 | 50 FT                 |
| 5%                                 | 40 FT                 |
| 6%                                 | 30 FT                 |
| 8%                                 | 25 FT                 |
| 10%                                | 20 FT                 |

\*\* BASED ON 2' TYPICAL HEIGHT

## EROSION PREVENTION & SEDIMENT CONTROL DETAILS

### TEMPORARY CHECK DAMS

EPSC-2

|  |                               |
|--|-------------------------------|
| PROJECT:<br>BRADFORD                                 | PROJECT NO.:<br>STP 1447 (28) |
| DESIGN FILE NAME: 96j286\structures\96j286erodet.dgn | PLOT DATE: 22-NOV-2006        |
| IPARM FILE NAME: 96j286epsc2.i                       | DRAWN BY: CONST. ENV. SECTION |
| DESIGNED BY: CONST. ENV. SECTION                     | CHECKED BY: A. CABRAL         |
| SQUAD LEADER: C.P. WILLIAMS                          | SHEET: 49 OF 63               |
| TEMPORARY CHECK DAMS                                 |                               |