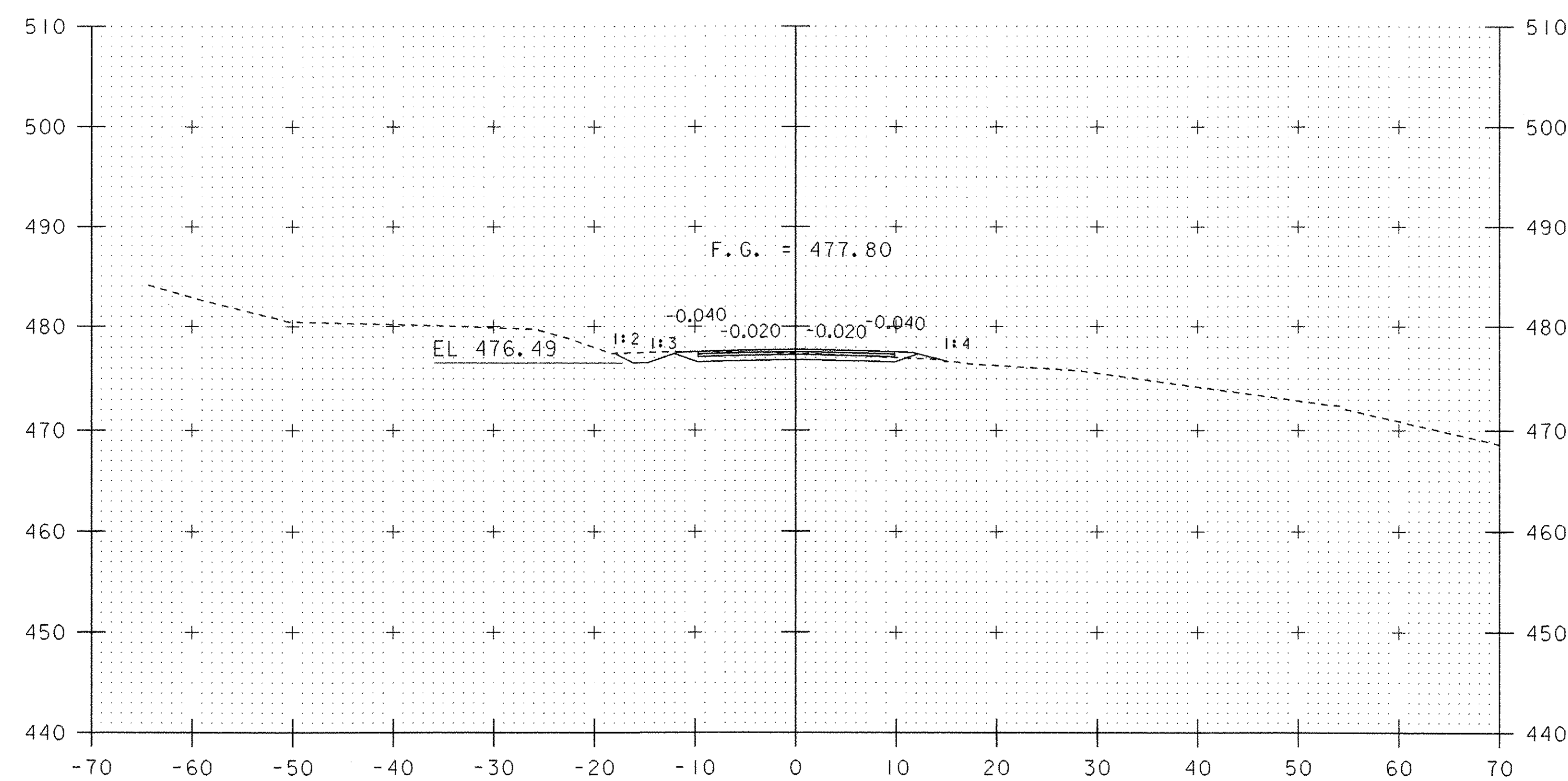
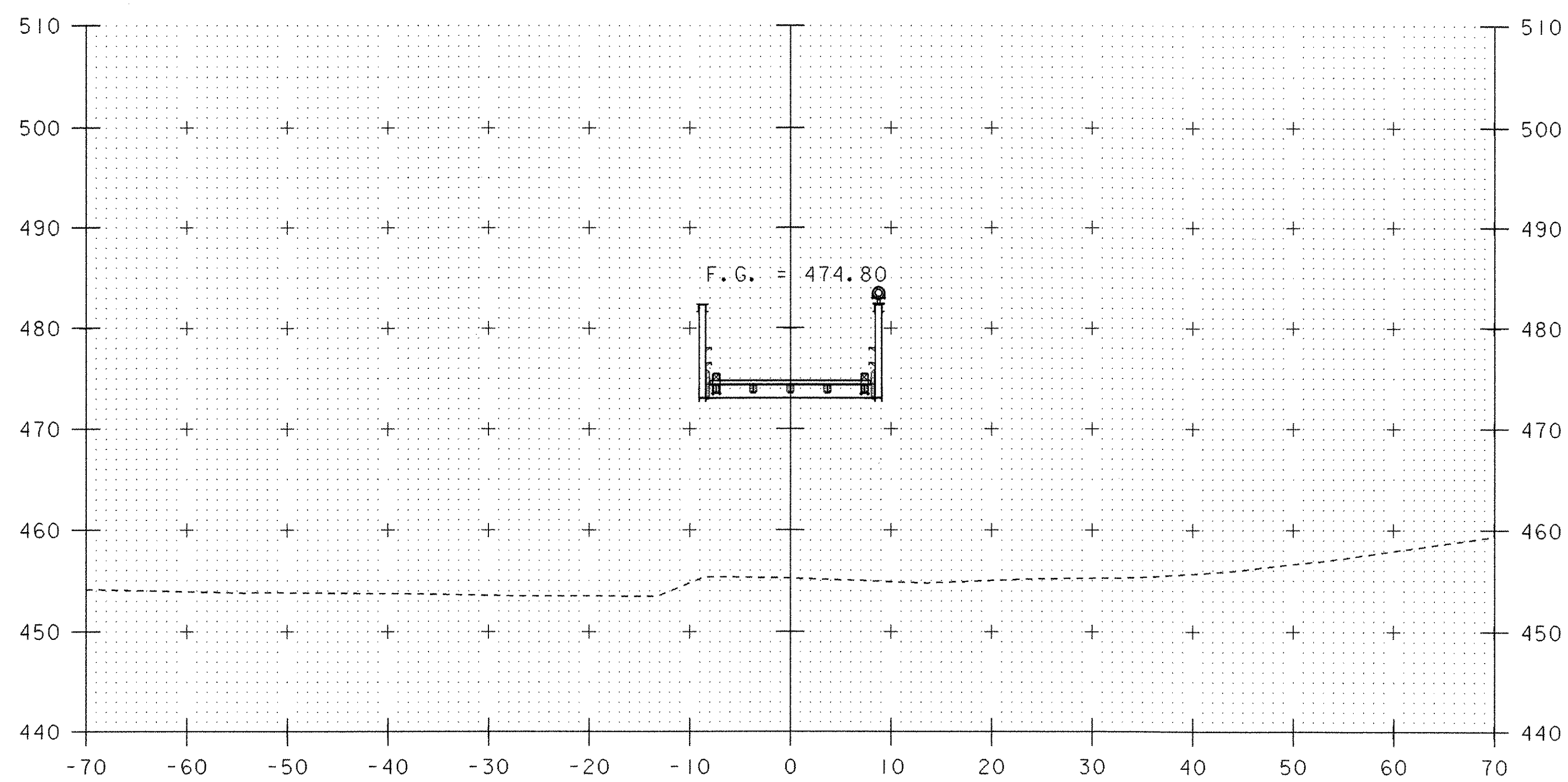


3+50



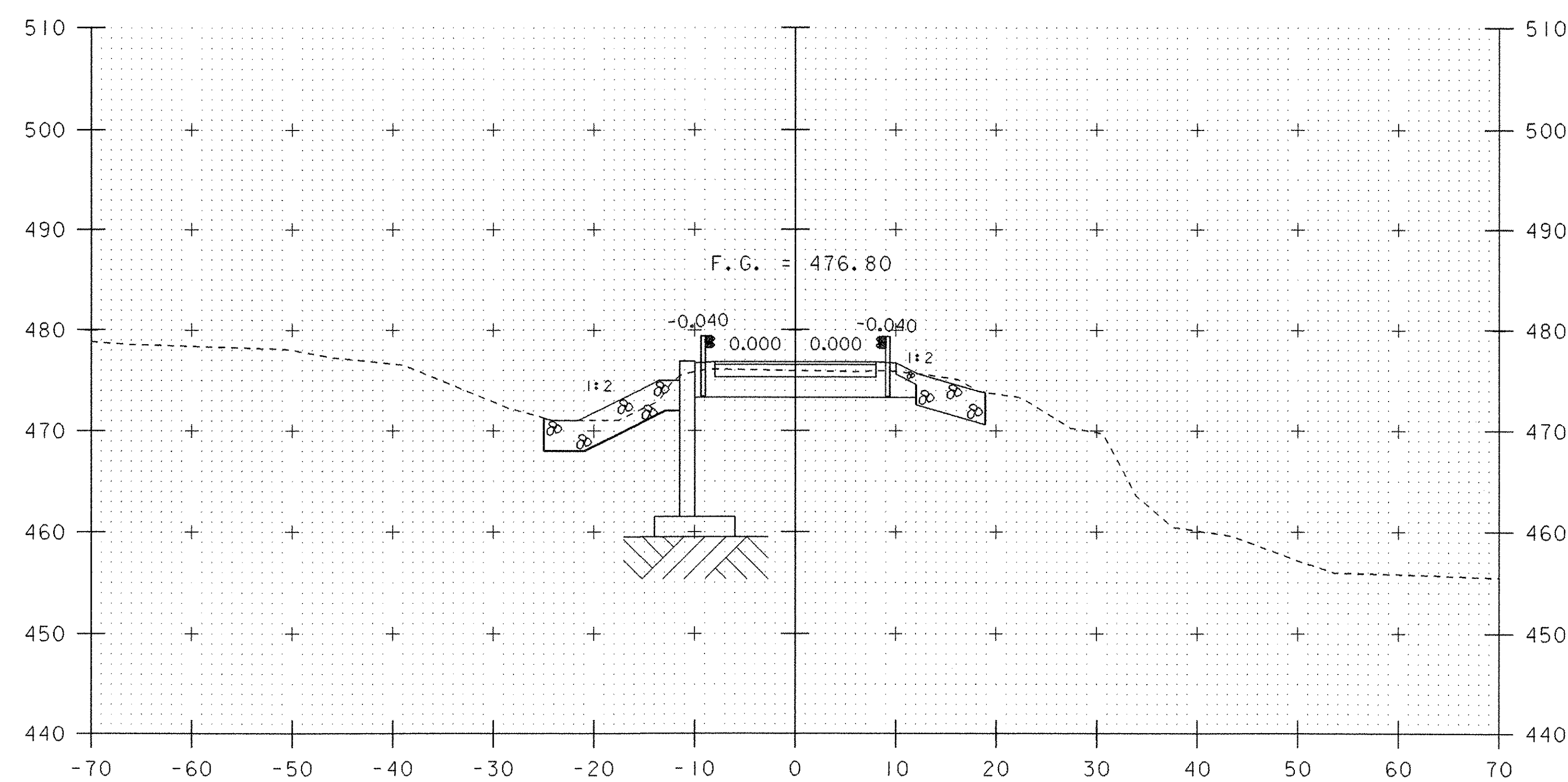
STA 4+25.00 END PROJECT

4+50



STA 2+81.45 BEGIN BRIDGE

3+00



STA 3+89.95 END BRIDGE

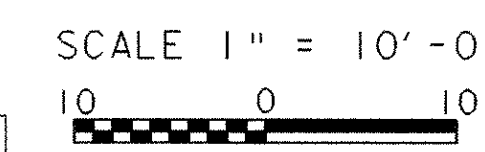
4+00

SHEET NAME: MAINLINE SECTIONS STA. 3+00 TO STA. 4+50

PROJECT NAME: BRADFORD
PROJECT NUMBER: STP 1447 (28)

PROJECT LEADER: C.P.WILLIAMS
DESIGNED BY: M.GAGULIC
FILE NAME: 96j286/Str/s96j286.xsl.dgn
IPARM FILE NAME: s96j286m.x2.i

DRAWN BY: J.WHITE
CHECKED BY: R.S.YOUNG
PLOT DATE: 22-NOV-2006
SHEET 36 OF 63



STA. 3+00 TO STA. 4+50