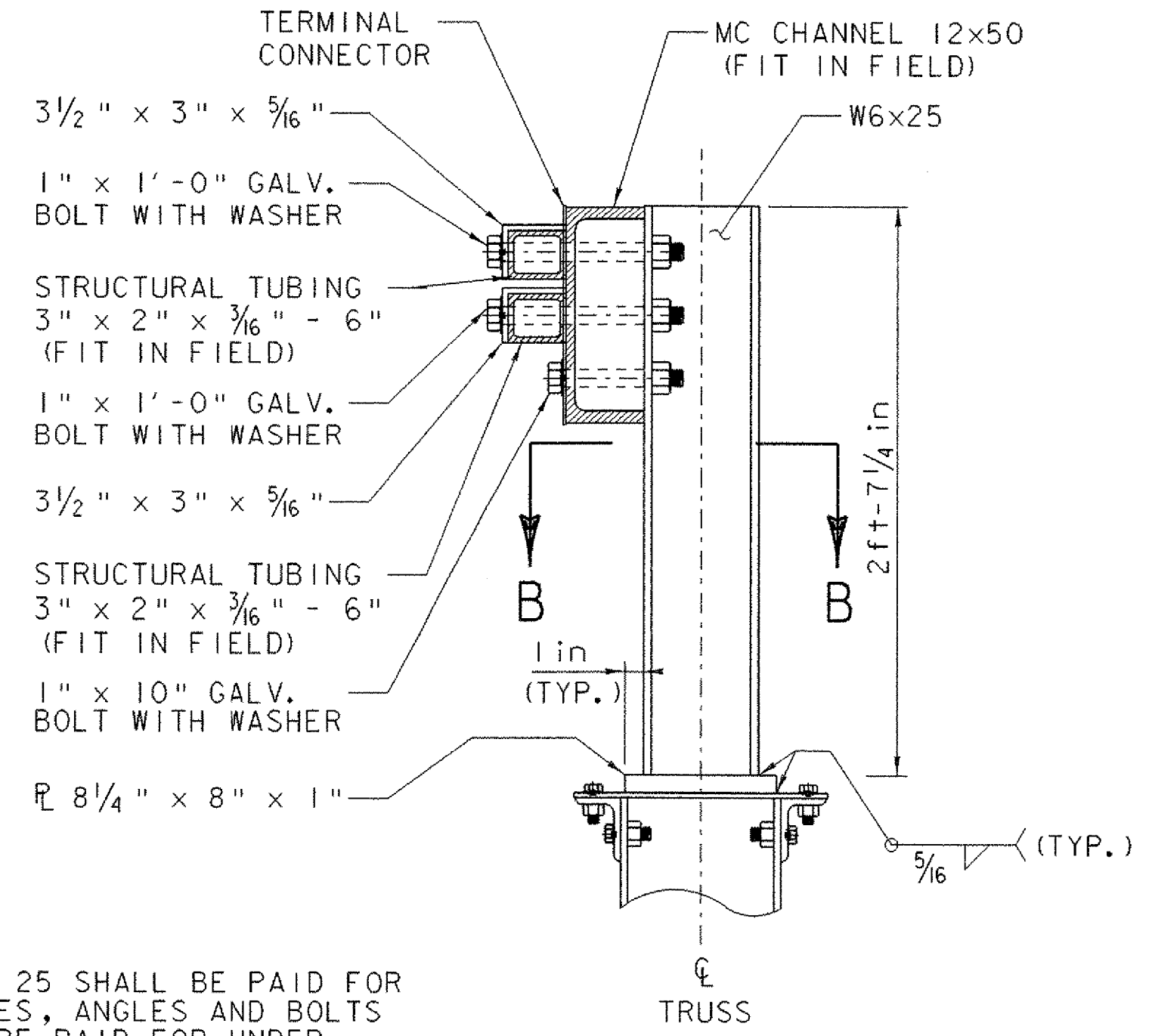


PLAN

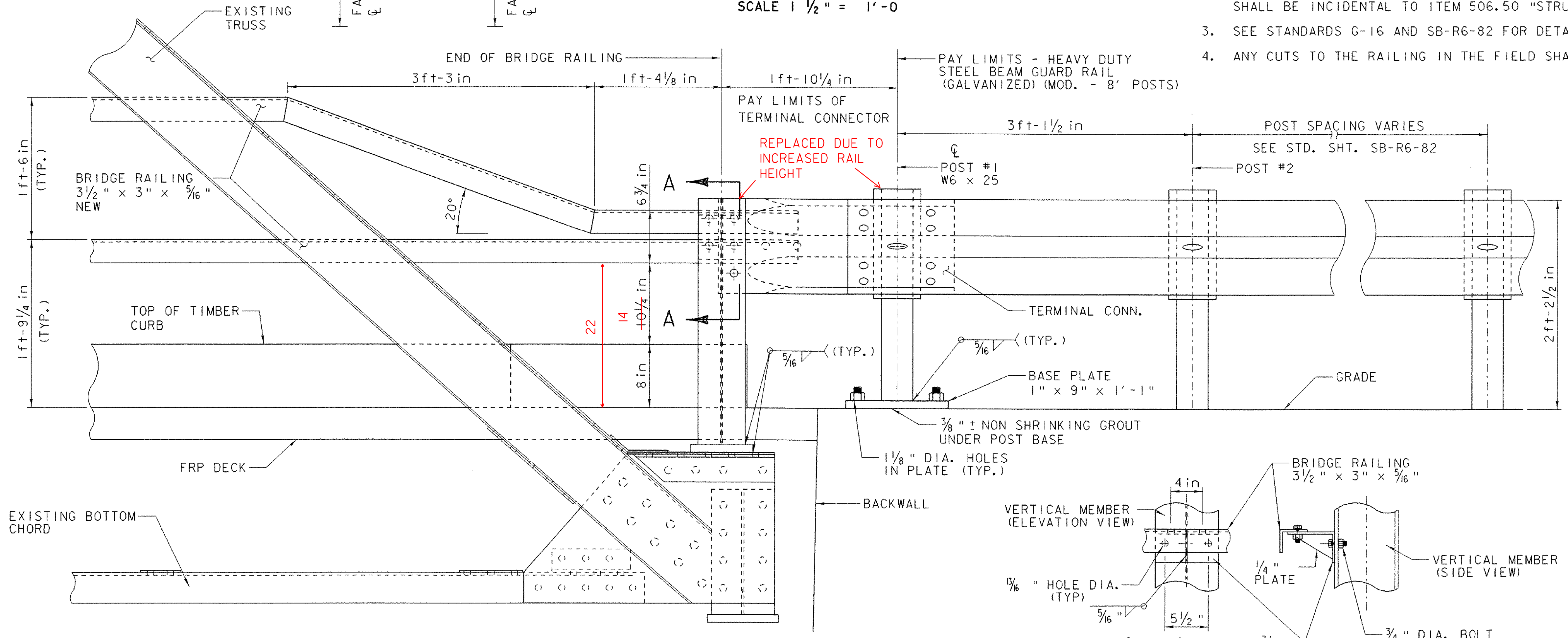
SCALE 1/2" = 1'-0"



SECTION A-A

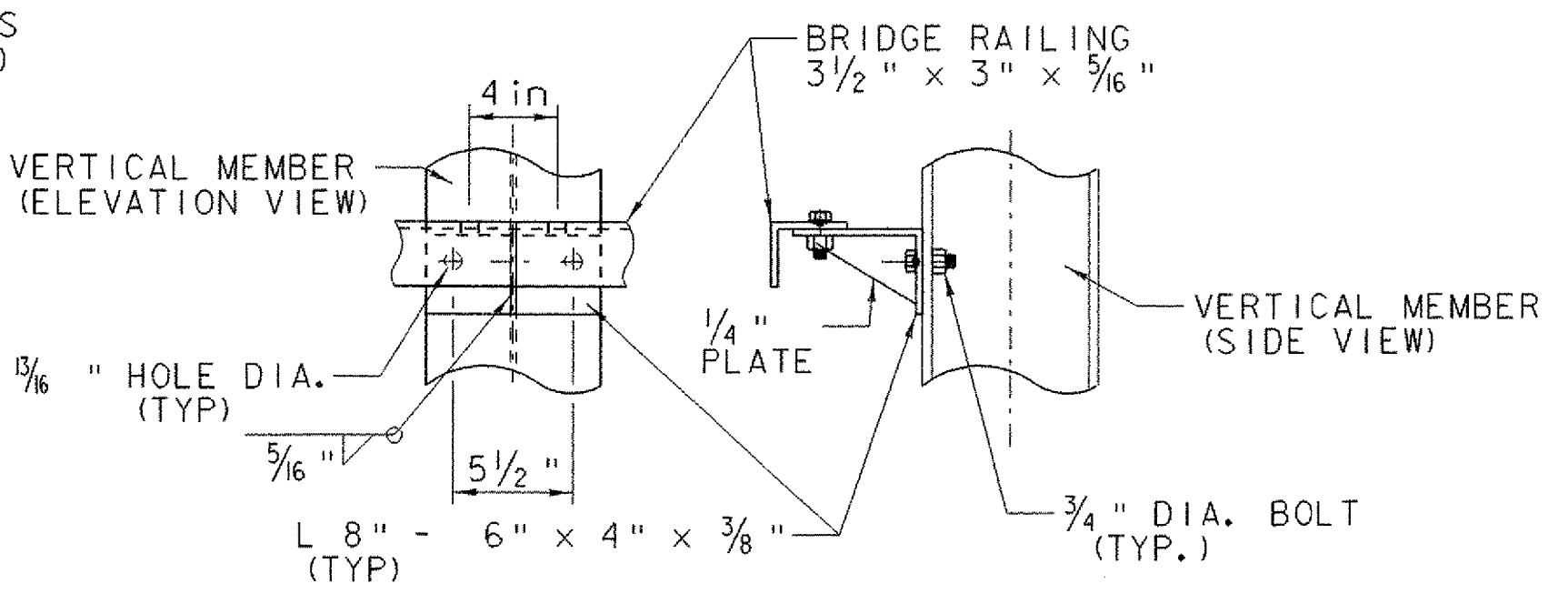
SCALE 1/2" = 1'-0"

- NOTE:**
1. THE BRIDGE RAIL (3 1/2" x 3" x 5/16") AND W6 X 25 SHALL BE PAID FOR UNDER ITEM 506.50 "STRUCTURAL STEEL". PLATES, ANGLES AND BOLTS USED TO ATTACH RAILING TO THE TRUSS SHALL BE PAID FOR UNDER ITEM 506.50 "STRUCTURAL STEEL" (ROLLED BEAM).
 2. PAYMENT FOR WELD PREPARATION AND WELDING OF THE RAILING POST ON THE BRIDGE TO THE COVER PLATE AND BASE PLATE SHALL BE INCIDENTAL TO ITEM 506.50 "STRUCTURAL STEEL" (ROLLED BEAM).
 3. SEE STANDARDS G-16 AND SB-R6-82 FOR DETAILS NOT SHOWN ON THIS SHEET.
 4. ANY CUTS TO THE RAILING IN THE FIELD SHALL BE GROUND TO 1/16" RADIUS.



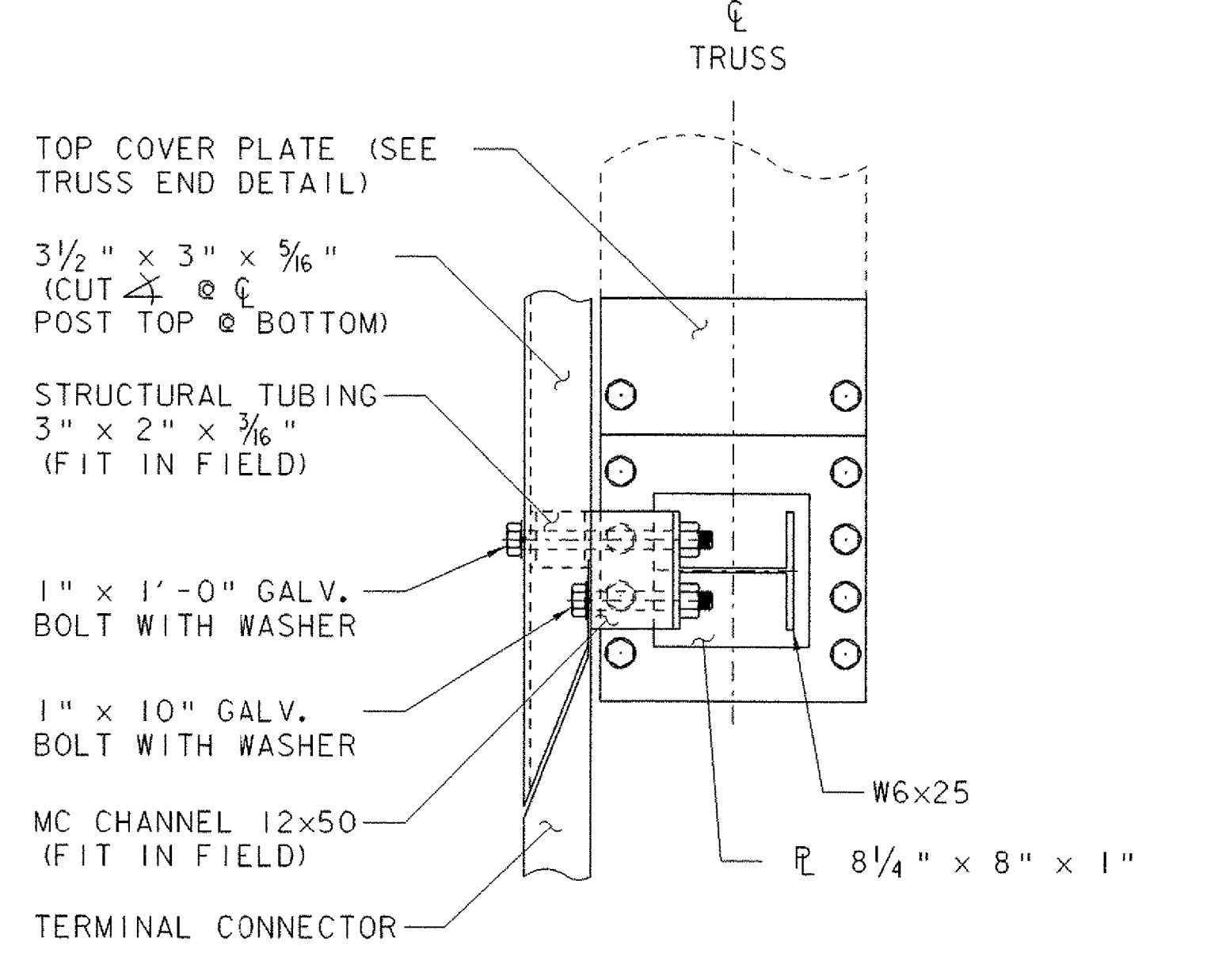
ELEVATION

SCALE 1/2" = 1'-0"



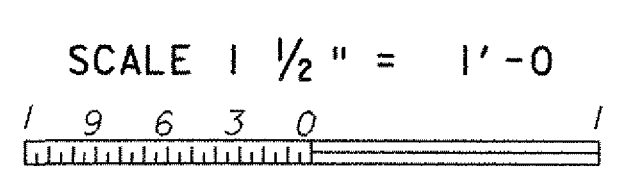
RAILING ATTACHMENT TYP

SCALE 1/2" = 1'-0"



SECTION B-B

SCALE 1/2" = 1'-0"



PROJECT NAME: BRADFORD	PLOT DATE: 22-NOV-2006
PROJECT NUMBER: STP 1447(28)	DRAWN BY: M. GAGULIC
FILE NAME: 96j286/Str/s96j286rail.dgn	CHECKED BY: R.S. YOUNG
PROJECT LEADER: C. P. WILLIAMS	SHEET 29 OF 63
DESIGNED BY: M. GAGULIC	
BRIDGE RAIL DETAIL	