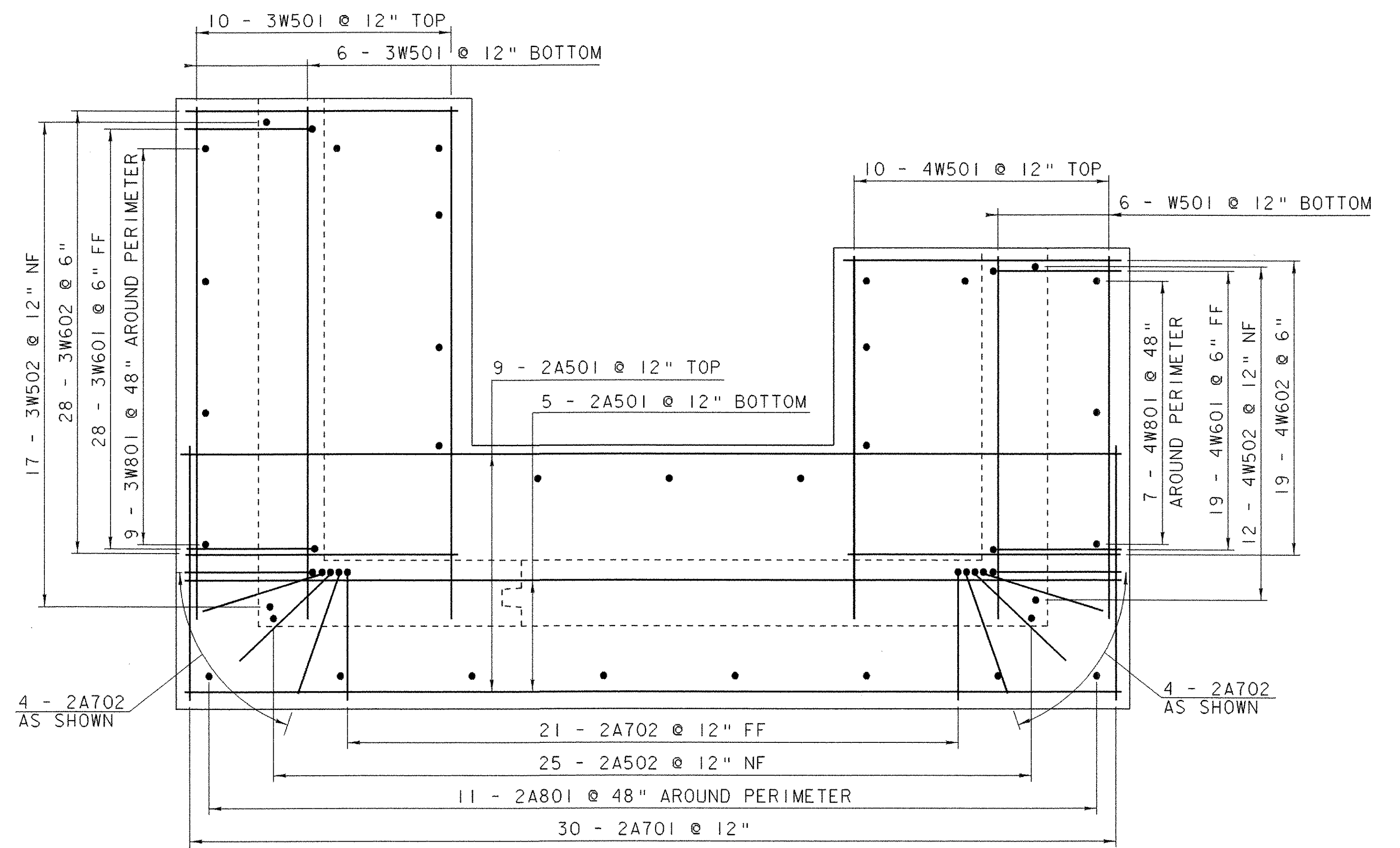


ABUTMENT #1 PLAN  
SCALE 3/8" = 1'-0



ABUTMENT #2 PLAN  
SCALE 3/8" = 1'-0

**NOTE:**

NF = NEAR FACE  
FF = FAR FACE  
EF = EACH FACE  
▲ = CUT TO FIT IN FIELD  
3" CLR. UNLESS OTHERWISE SPECIFIED ON THE PLANS.

SCALE 3/8" = 1'-0  
1 0 1 2 3 4

|                              |                                       |                        |
|------------------------------|---------------------------------------|------------------------|
| PROJECT NAME: BRADFORD       | FILE NAME: \Structures\s96j286sub.dgn | PLOT DATE: 22-NOV-2006 |
| PROJECT NUMBER: STP 1447(28) | PROJECT LEADER: C. WILLIAMS           | DRAWN BY: D.D.BEARD    |
|                              | DESIGNED BY: M.GAGULIC                | CHECKED BY: R.S.YOUNG  |
|                              | FOOTINGS PLAN SHEET                   | SHEET 28 OF 63         |