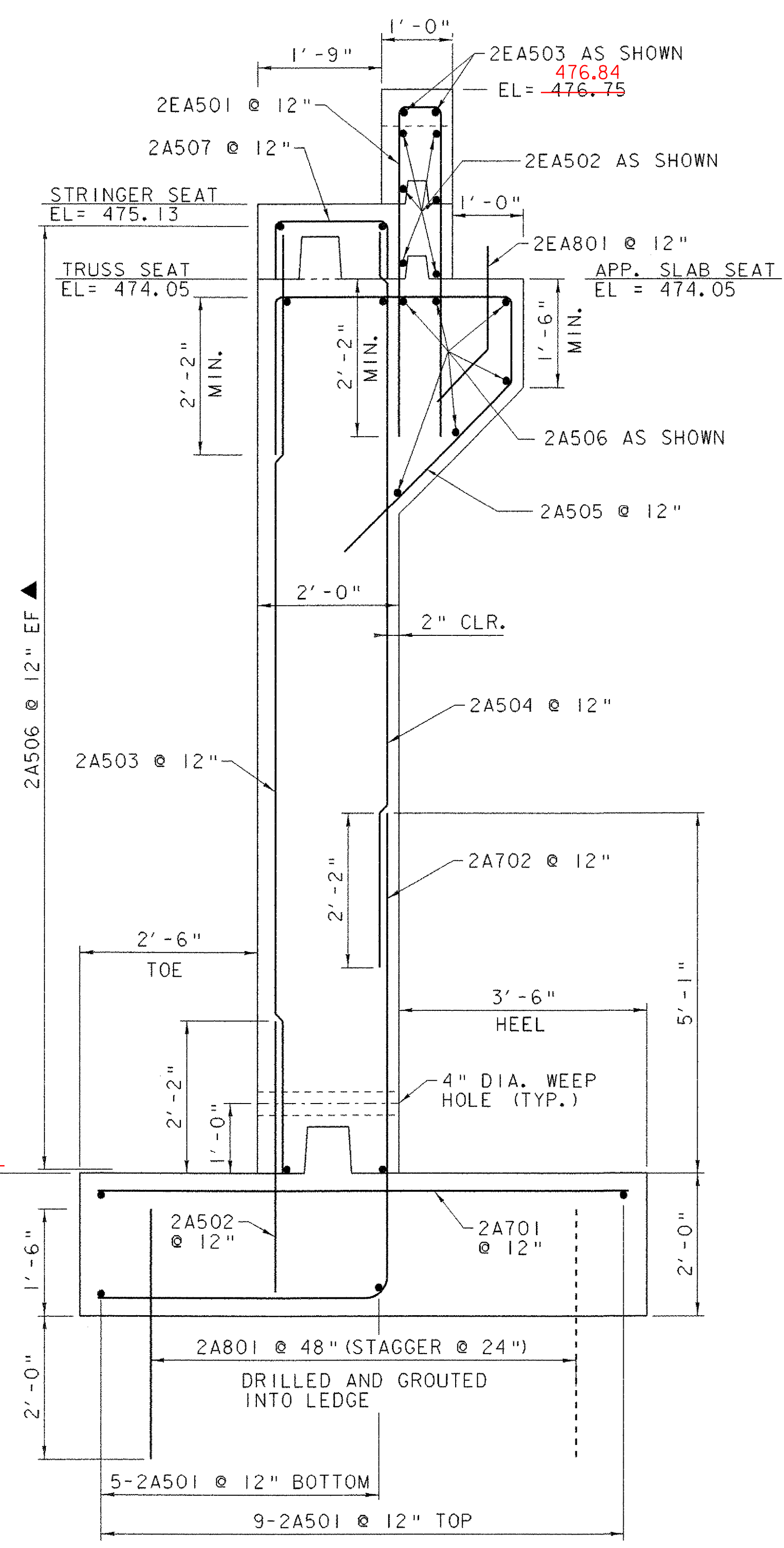
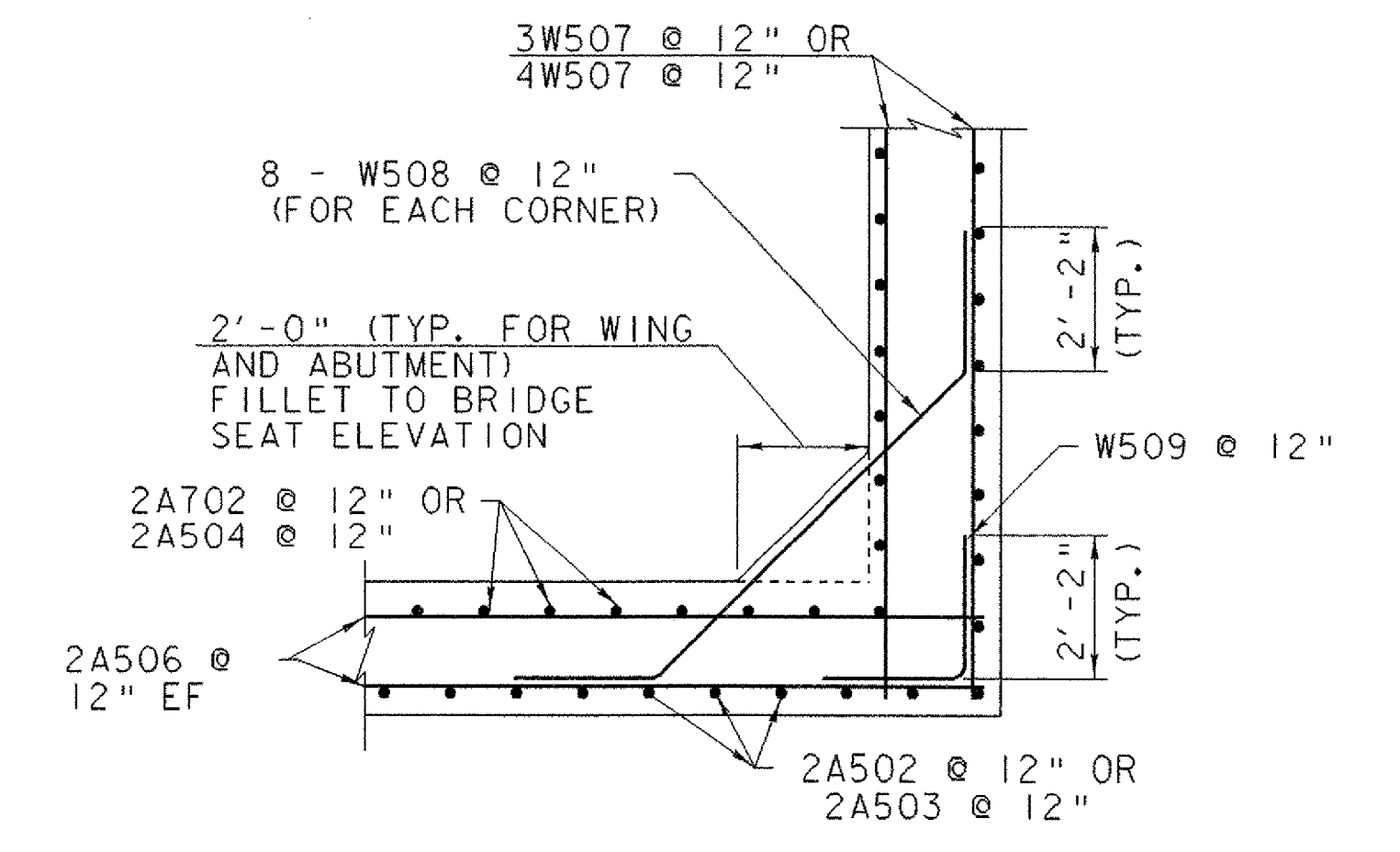


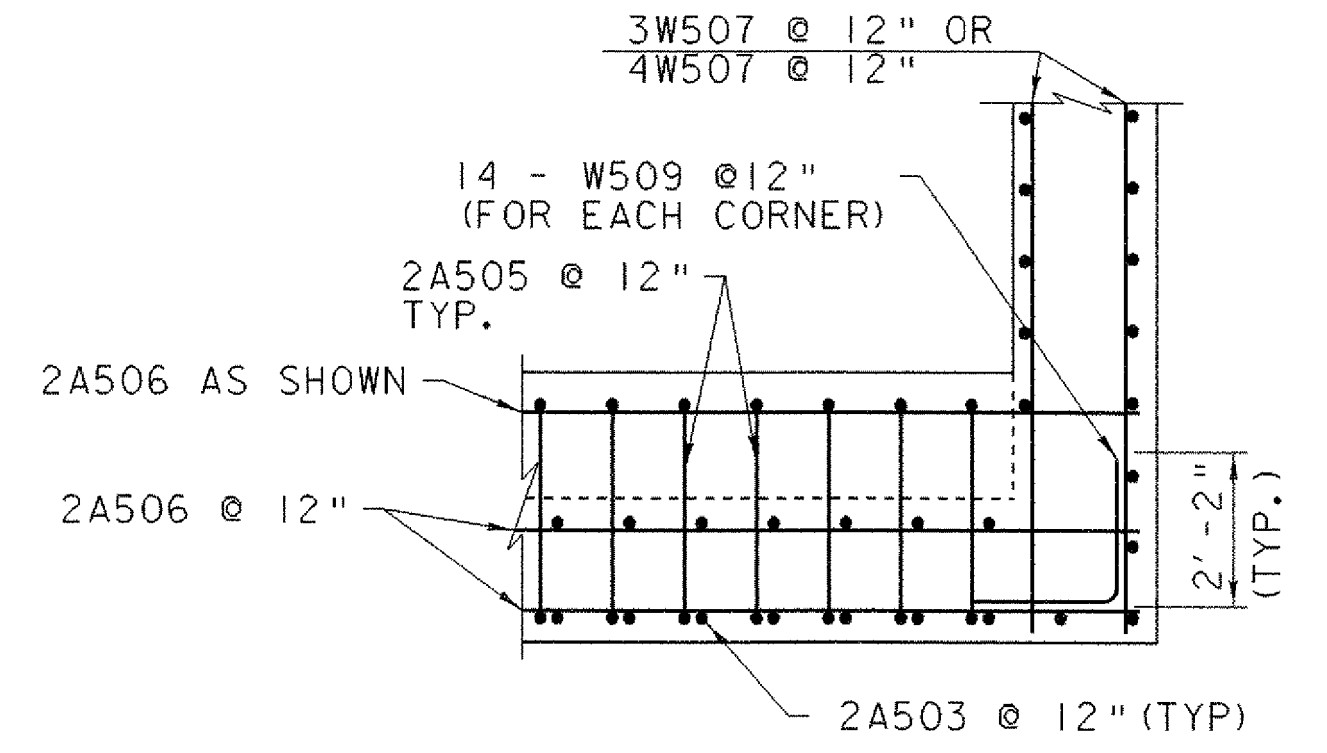
ABUTMENT #2 PLAN
SCALE 3/8" = 1'-0



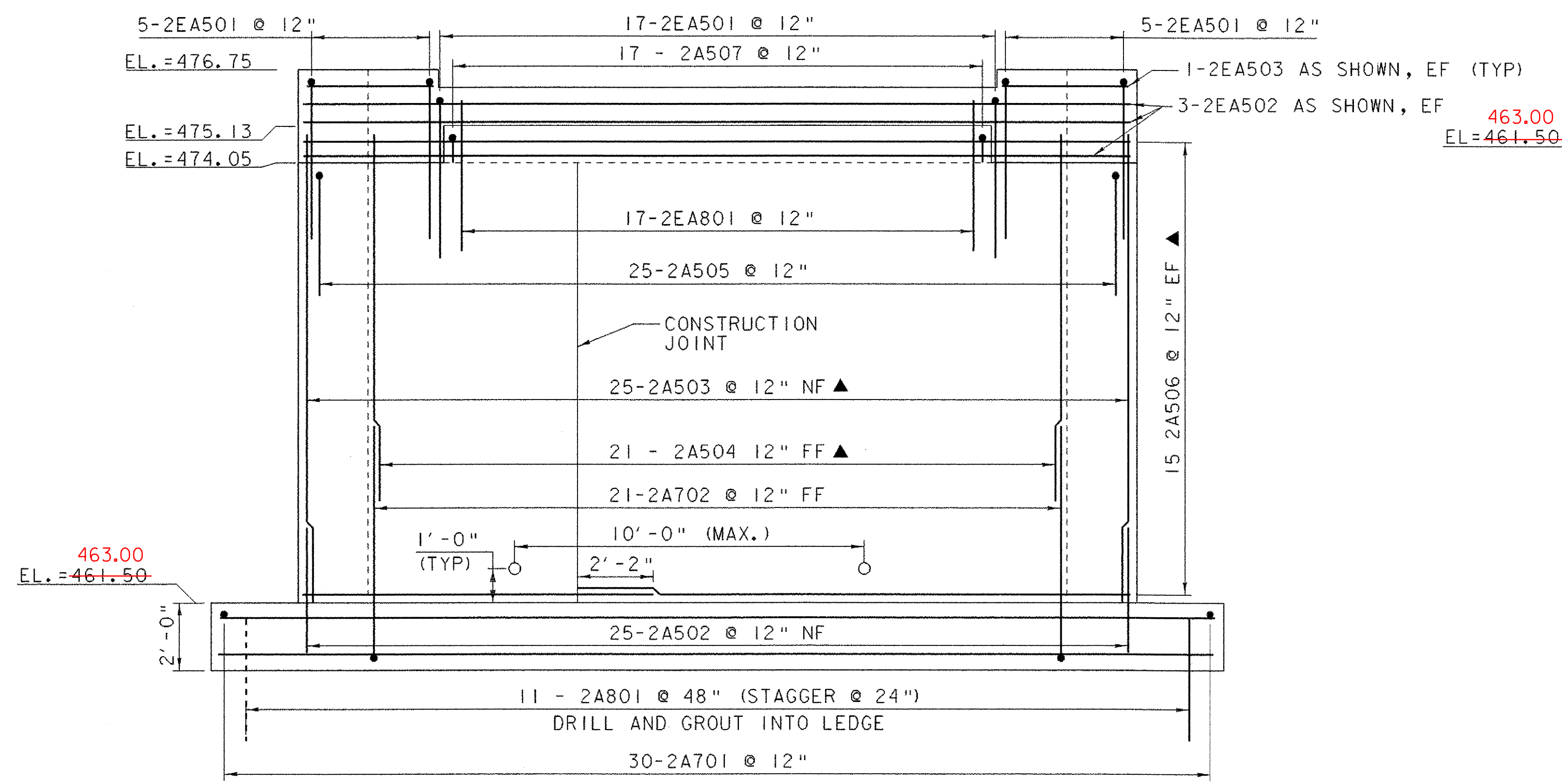
ABUTMENT #2 TYP SECTION
SCALE 3/4" = 1'-0



CORNER DETAIL BELOW APPROACH SLAB BRACKET
SCALE 3/8" = 1'-0

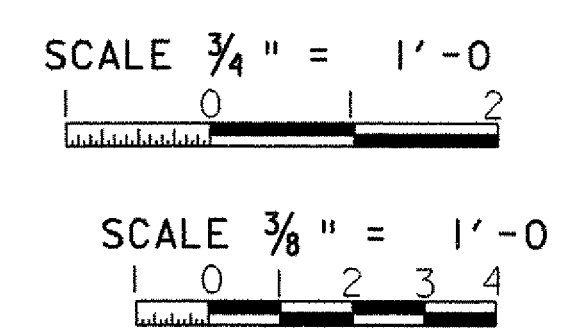


CORNER DETAIL ABOVE APPROACH SLAB BRACKET/ BELOW TRUSS SEAT
SCALE 3/8" = 1'-0



ABUTMENT #2 ELEVATION
SCALE 3/8" = 1'-0

NOTE:
NF = NEAR FACE
FF = FAR FACE
EF = EACH FACE
▲ = CUT TO FIT IN FIELD
3" CLR. UNLESS OTHERWISE SPECIFIED ON THE PLANS.



PROJECT NAME: BRADFORD	FILE NAME: \Structures\s96j286sub.dgn	PLOT DATE: 22-NOV-2006
PROJECT NUMBER: STP 1447(28)	PROJECT LEADER: C. WILLIAMS	DRAWN BY: D.D.BEARD
	DESIGNED BY: M.GAGULIC	CHECKED BY: R.S.YOUNG
	ABUTMENT #2	SHEET 25 OF 63